

Model U-P1 (G071)

PARTS CATALOG

Second edition, September 2002

Ricoh Company, LTD.

Model U-P1 (G071)

PARTS CATALOG

This catalog gives the numbers and names of parts on this machine.

| | |
|-----------------------------|--------|
| Model U-P1 | (G071) |
| Duplex Unit Type 5000 | (G303) |
| Interchange Unit Type 5000 | (G305) |
| Mail Bin Type 5000 | (G312) |
| Paper Feed Unit Type 5000 | (G313) |
| SR780 | (G314) |
| Printer Hard Disk Type 5000 | (G315) |

Model U-P1 (G071)

Model U-P1 (G071)

PARTS CATALOG

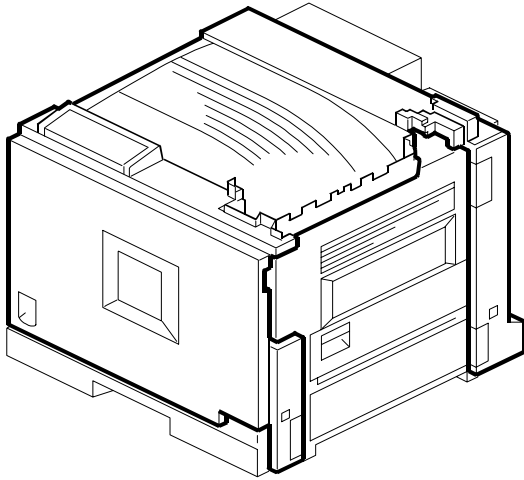
This catalog gives the numbers and names of parts on this machine.

| | | | |
|-------------------------------------|----------|--------------------------------------|-----------|
| LOCATION OF UNIT | 2 | 18.ELECTRICAL SECTION 1 (G071) | 40 |
| 1.EXTERIOR 1 (G071)..... | 6 | 19.ELECTRICAL SECTION 2 (G071) | 42 |
| 2.EXTERIOR 2 (G071)..... | 8 | 20.ELECTRICAL SECTION 3 (G071) | 44 |
| 3.PAPER REGISTRATION (G071)..... | 10 | 21.FRAME SECTION (G071)..... | 46 |
| 4.BY-PASS FEED UNIT 1(G071) | 12 | 22.BCU BOARD (G071) | 48 |
| 5.BY-PASS FEED UNIT 2(G071) | 14 | 23.IOB BORAD (G071) | 54 |
| 6.PAPER CASSETTE (G071) | 16 | 24.PRINT CONTORL BOARD (G071) | 58 |
| 7.VERTICAL TRANSPORT 1 (G071) | 18 | 25.DECALS AND DOCUMENTS (G071) | 66 |
| 8.VERTICAL TRANSPORT 2 (G071) | 20 | 26.SPECIAL TOOLS (G071) | 68 |
| 9.LD UNIT (G071) | 22 | PARTS INDEX..... | 71 |
| 10.PCU SECTION (G071)..... | 24 | | |
| 11.DEVELOPMENT SECTION (G071)..... | 26 | | |
| 12.FUSING UNIT 1 (G071) | 28 | | |
| 13.FUSING UNIT 2 (G071) | 30 | | |
| 14.PAPER EXIT SECTION (G071)..... | 32 | | |
| 15.DRIVE SECTION 1 (G071) | 34 | | |
| 16.DRIVE SECTION 2 (G071) | 36 | | |
| 17.DRIVE SECTION 3 (G071) | 38 | | |

September ,03 ' 2002

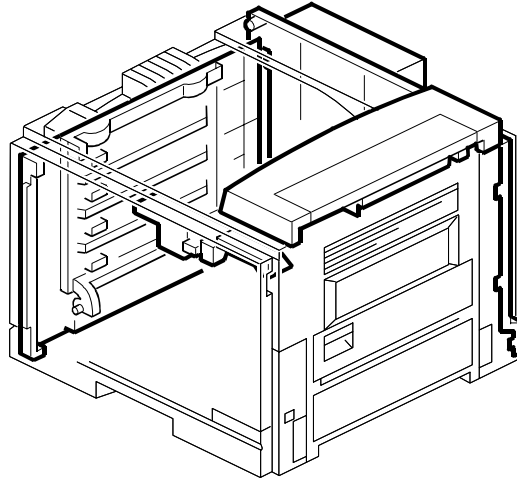
LOCATIONS OF UNITS

1. EXTERIOR 1 (G071)



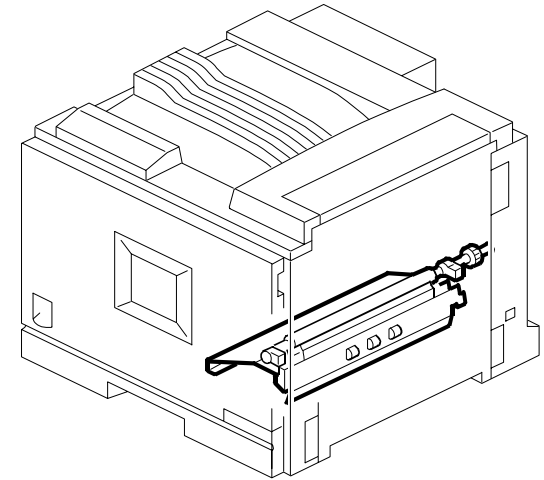
See Page 7

2. EXTERIOR 2 (G071)



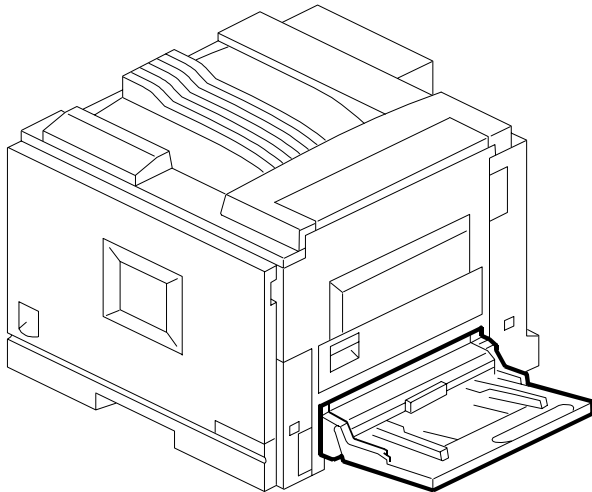
See Page 9

3. PAPER REGISTRATION (G071)



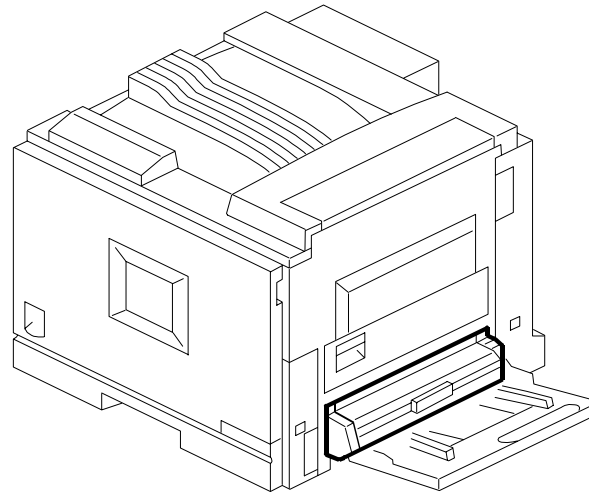
See Page 11

4. BY-PASS FEED UNIT 1(G071)



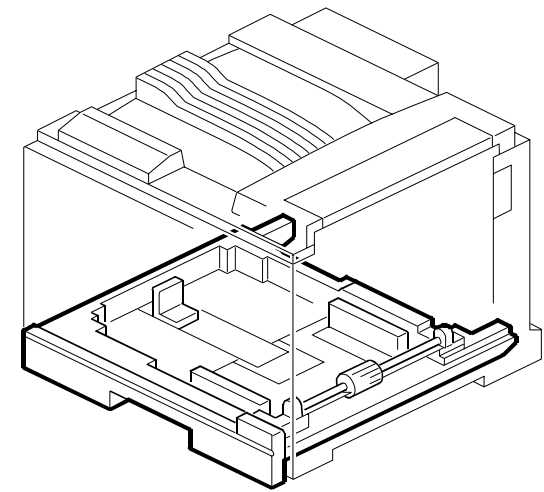
See Page 13

5. BY-PASS FEED UNIT 2(G071)



See Page 15

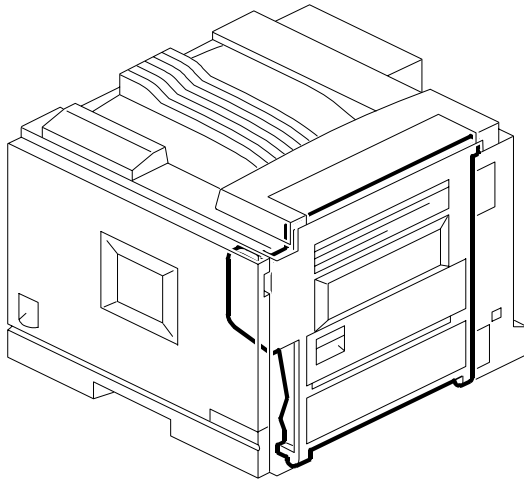
6. PAPER CASSETTE (G071)



See Page 17

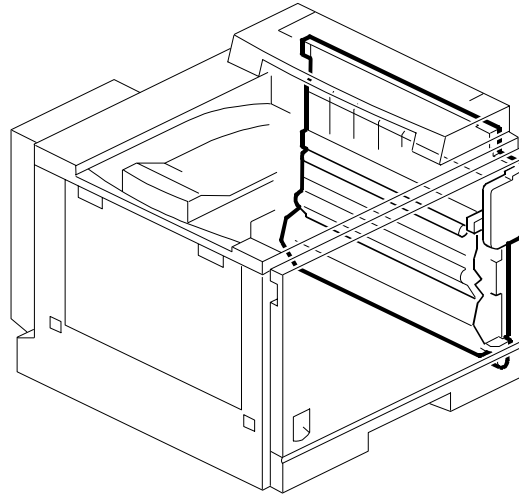
LOCATIONS OF UNITS

7. VERTICAL TRANSPORT 1 (G071)



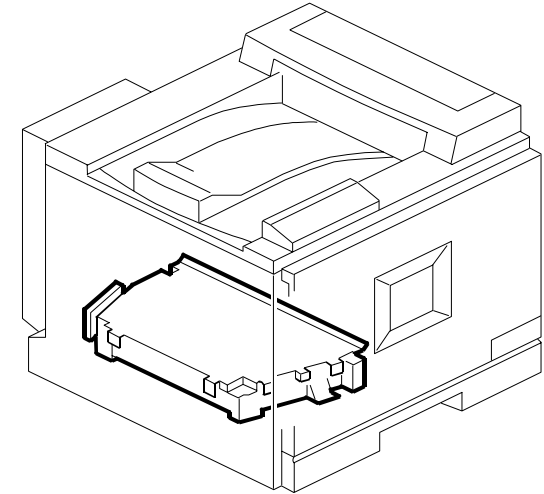
See Page 19

8. VERTICAL TRANSPORT 2 (G071)



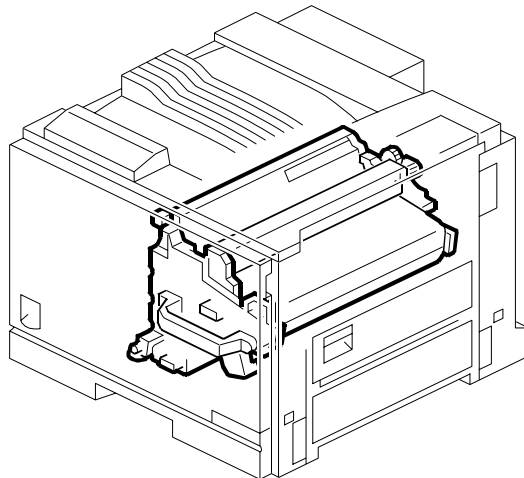
See Page 21

9. LD UNIT (G071)



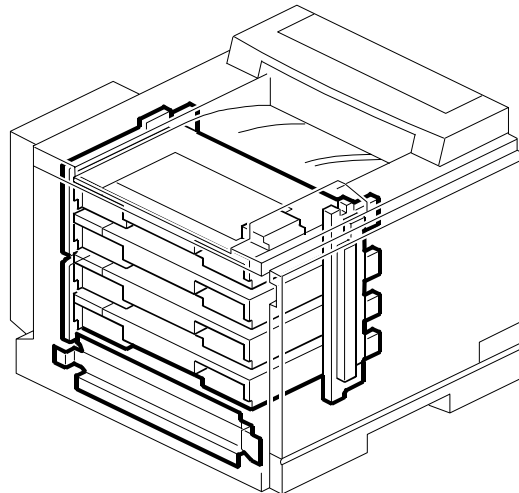
See Page 23

10. PCU SECTION (G071)



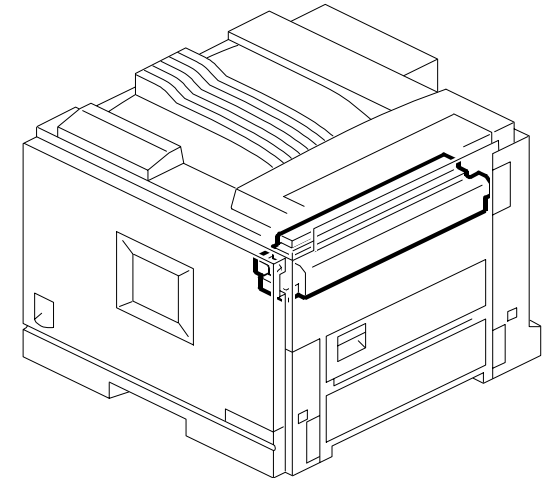
See Page 25

11. DEVELOPMENT SECTION (G071)



See Page 27

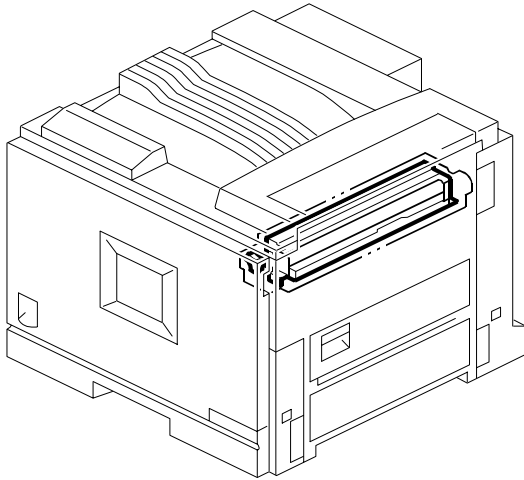
12. FUSING UNIT 1 (G071)



See Page 29

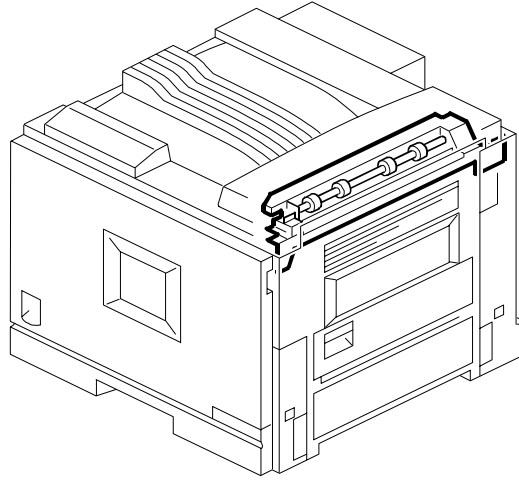
LOCATIONS OF UNITS

13. FUSING UNIT 2 (G071)



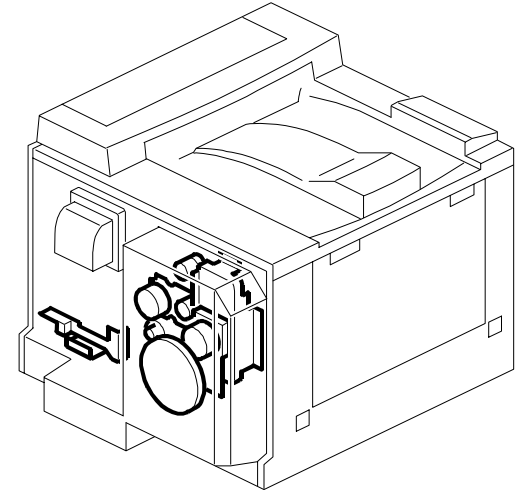
See Page 31

14. PAPER EXIT SECTION (G071)



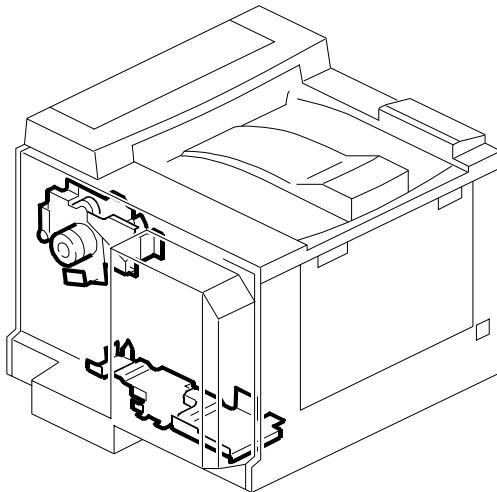
See Page 33

15. DRIVE SECTION 1 (G071)



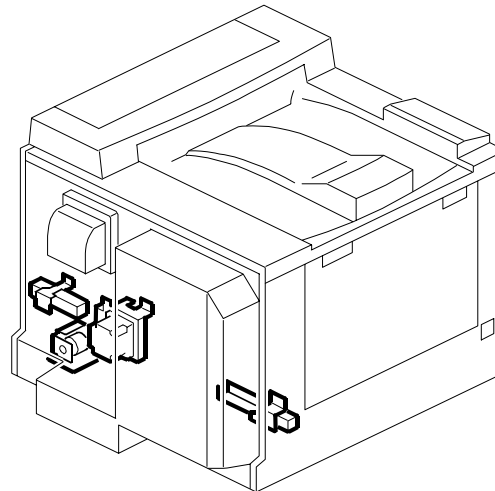
See Page 35

16. DRIVE SECTION 2 (G071)



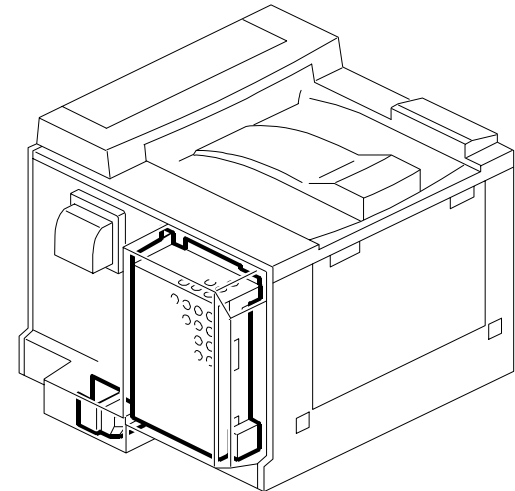
See Page 37

17. DRIVE SECTION 3 (G071)



See Page 39

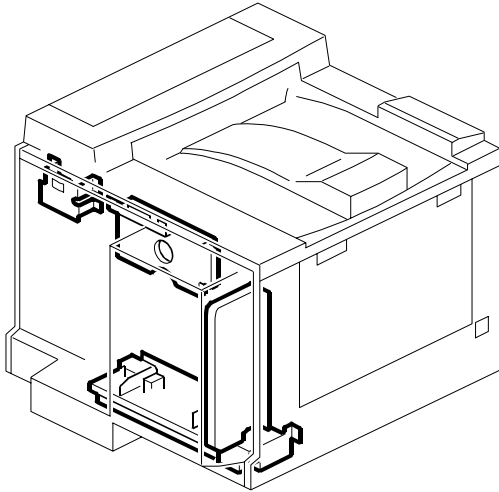
18. ELECTRICAL SECTION 1 (G071)



See Page 41

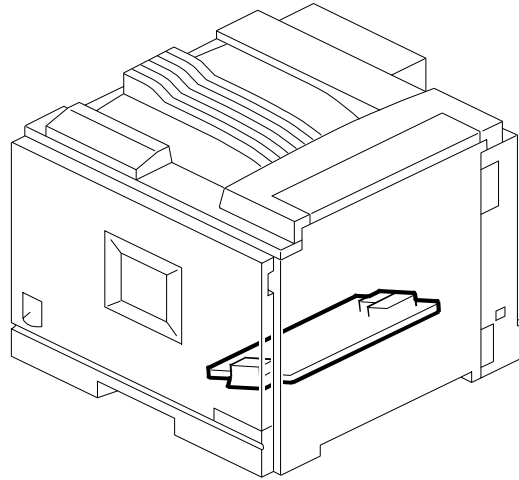
LOCATIONS OF UNITS

19. ELECTRICAL SECTION 2 (G071)



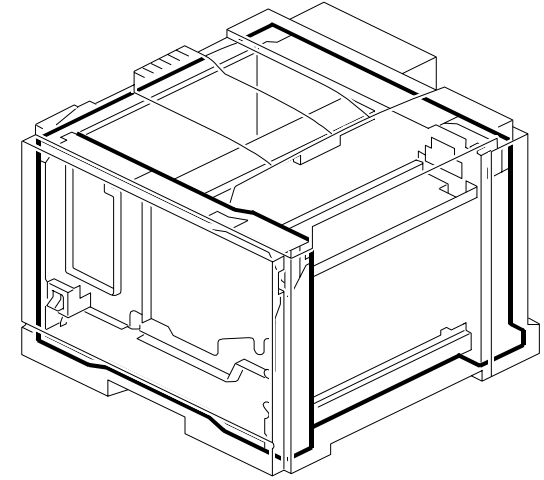
See Page 43

20. ELECTRICAL SECTION 3 (G071)



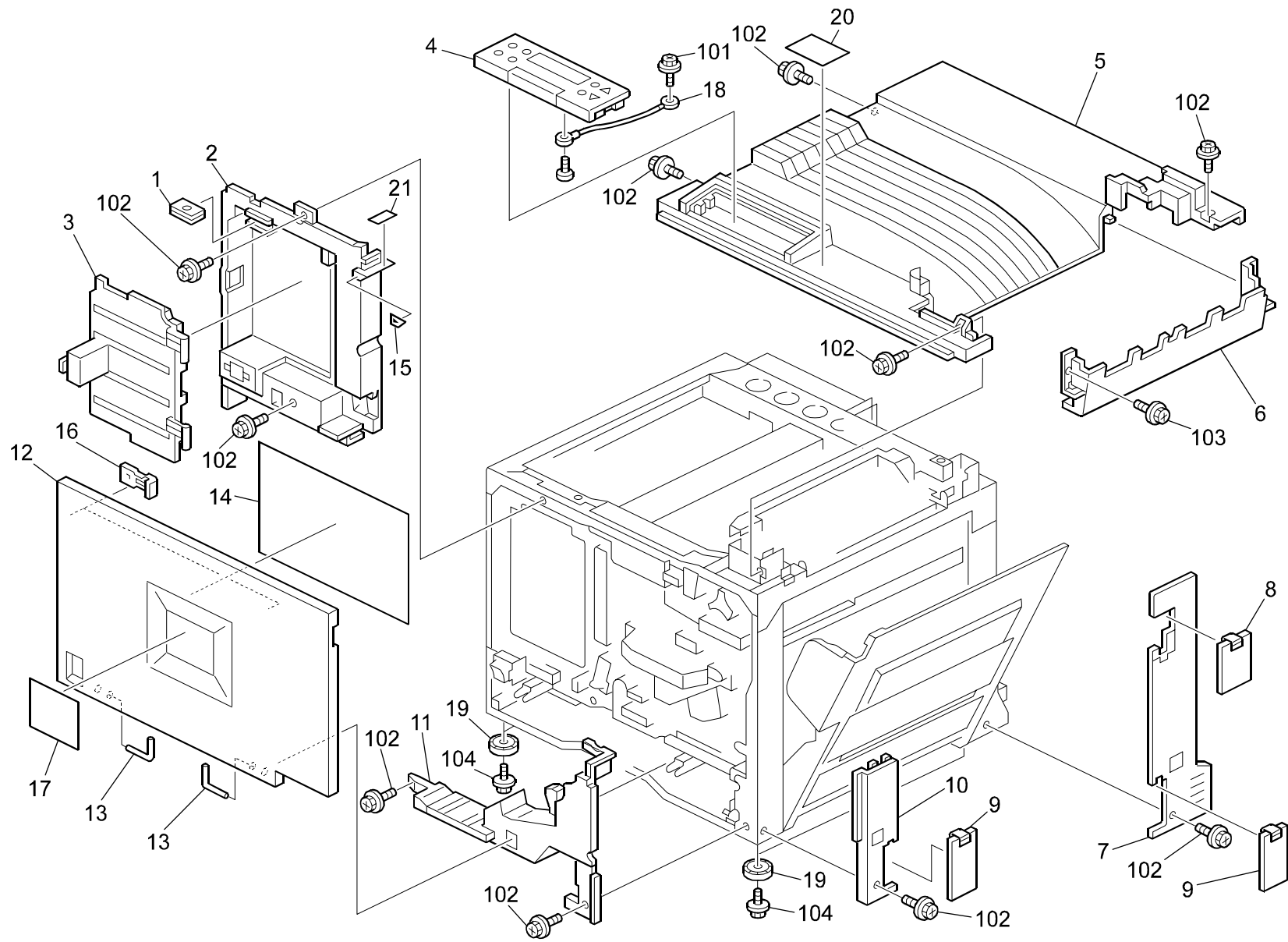
See Page 45

21. FRAME SECTION (G071)



See Page 47

1.EXTERIOR 1 (G071)

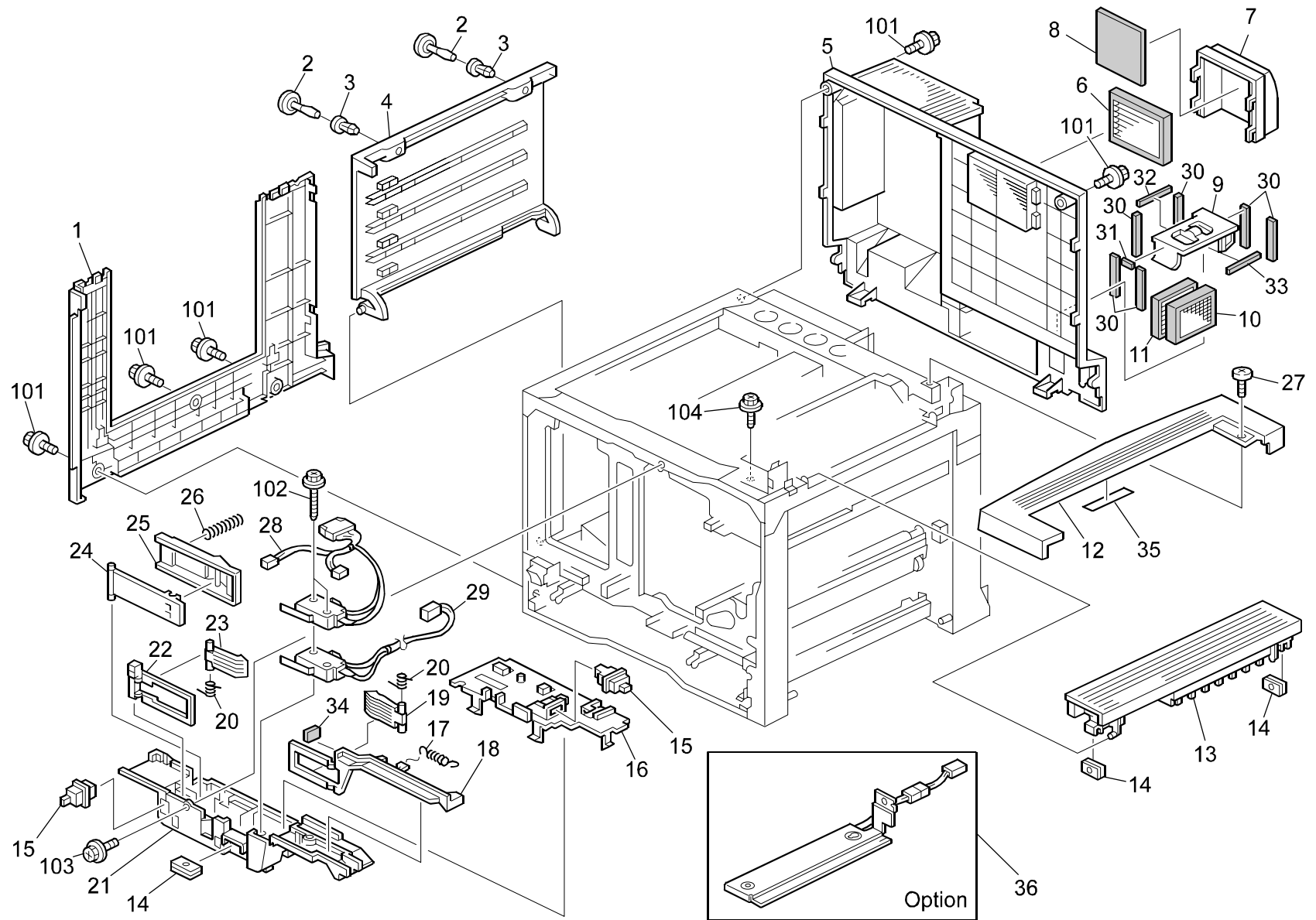


1.EXTERIOR 1 (G071)

| Index No. | Part No. | Description | Q'ty Per Assembly |
|-----------|-----------|-------------------------------|-------------------|
| 1 | AG07 0014 | Magnet Catch | 1 |
| 2 | G070 1370 | Left Inner Cover | 1 |
| 3 | G070 1375 | Development Inner Cover | 1 |
| 4 | G070 5620 | Operation panel Assembly (LT) | 1 |
| 4 | G070 5630 | Operation panel Assembly (A4) | 1 |
| 5 | G070 1330 | Exit Cover | 1 |
| 6 | G070 1335 | Exit Right Cover | 1 |
| 7 | G070 1265 | Rear Right Cover | 1 |
| 8 | G070 1262 | Duplex Small Cap | 1 |
| 9 | G070 1261 | Duplex Cap | 2 |
| 10 | G070 1260 | Front Right Cover | 1 |
| 11 | 5442 2108 | Corona Wire Spring | 1 |
| 11 | G070 1380 | Inner Cover - Lower Right | 1 |
| 12 | G070 1250 | Front Door | 1 |
| 13 | A166 1363 | Hinge Pin | 2 |
| 14 | G070 1397 | Operation Sheet | 1 |
| 15 | G070 2373 | PCU Upper Decal | 1 |
| 16 | G070 1253 | Magnet Catch - Front Cover | 3 |
| 17 | G071 1385 | Decal - Emblem (LAN) | 1 |
| 17 | G071 1386 | Decal - Emblem (INF) | 1 |
| 17 | G071 1387 | Decal - Emblem (GES) | 1 |
| 17 | G071 1388 | Decal - Emblem (REX) | 1 |
| 17 | G071 1389 | Decal - Emblem (NSA) | 1 |
| 17 | G071 1396 | Decal - Emblem (RIC NA) | 1 |
| 17 | G071 1397 | Decal - Emblem (RIC EU) | 1 |
| 18 | G070 5367 | Wire - Operation Panel | 1 |
| 19 | GH01 0005 | Rubber Foot - 23mm | 5 |
| 20 | GA00 3038 | Decal - Inkjet Paper Caution | 1 |
| 21 | G070 2374 | Decal - Machine Guide | 1 |

| Index No. | Part No. | Description | Q'ty Per Assembly |
|-----------|------------|----------------------|-------------------|
| 101 | 0452 3008B | Tapping Screw - M3x8 | |
| 102 | 0451 3008H | Tapping Screw - M3x8 | |
| 103 | 0450 3008B | Tapping Screw - M3x8 | |
| 104 | 0451 3006B | Tapping Screw - M3x6 | |

2.EXTERIOR 2 (G071)

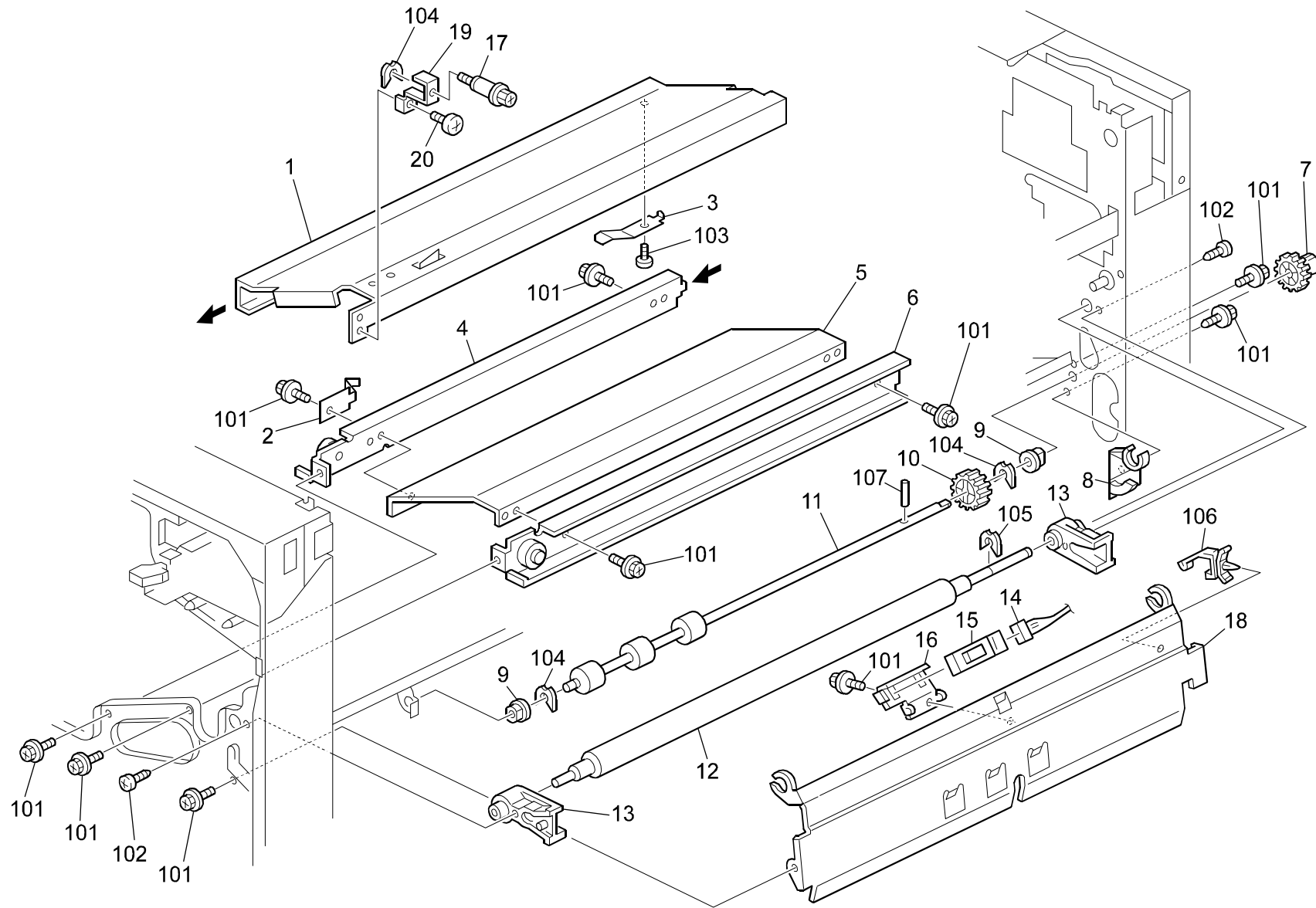


2.EXTERIOR 2 (G071)

| Index No. | Part No. | Description | Q'ty Per Assembly |
|-----------|-----------|-----------------------------------|-------------------|
| 1 | G070 1271 | Left Cover | 1 |
| 2 | G070 1291 | Left Cover Hook | 2 |
| 3 | G070 1293 | Bushing - Left Cover Hook | 2 |
| 4 | G070 1290 | Development Unit Cover | 1 |
| 5 | G070 1340 | Rear Cover | 1 |
| 6 | A259 2337 | Exhaust Filter Dust Filter | 1 |
| 7 | G070 1069 | Rear Filter Cover | 1 |
| 8 | G070 1077 | Sound Proofing - Cover Filter | 1 |
| 9 | G070 1084 | Filter Cover | 1 |
| 10 | AA01 0113 | Ozone Filter | 1 |
| 11 | AA01 2120 | Exhaust Filter | 1 |
| 12 | G070 1320 | Upper Exit Cover | 1 |
| 13 | G070 1312 | Paper Exit Cover | 1 |
| 14 | AG07 0014 | Magnet Catch | 3 |
| 15 | AW50 0023 | Push Switch | 2 |
| 16 | G070 5562 | Upper Case - Safety Switch | 1 |
| 17 | G070 5565 | Right Tension Spring | 1 |
| 18 | G070 5568 | Right Link - Safety Switch | 1 |
| 19 | G070 5563 | Link Middle Lever | 1 |
| 20 | G070 5566 | Right Tension Spring | 2 |
| 21 | G070 5561 | Lower Case - Safety Switch | 1 |
| 22 | G070 5564 | Link Outer Lever | 1 |
| 23 | G070 5570 | Link Middle Lever - Left | 1 |
| 24 | G070 5573 | Rear Link Lever | 1 |
| 25 | G070 5574 | Link Lever - Rear Right | 1 |
| 26 | G070 5575 | Compression Spring | 1 |
| 27 | A217 1340 | Knob Screw - M4x10 | 1 |
| 28 | G070 5320 | Harness - LDB-LD5V | 1 |
| 29 | G070 5315 | Harness - IOB 24V | 1 |
| 30 | G070 1096 | Vertical Filter Cover Seal - 7x60 | 6 |
| 31 | G070 1097 | Rear Filter Cover Seal-7x16x2 | 1 |
| 32 | G070 1098 | Front Filter Cover Seal-5x105x2 | 1 |
| 33 | G070 1099 | Middle Filter Cover Seal-5x53x3 | 1 |
| 34 | G070 5576 | Cushion - Safety Switch | 1 |
| 35 | G070 1322 | Film - Paper Feed Sensor | 1 |

| Index No. | Part No. | Description | Q'ty Per Assembly |
|-----------|------------|------------------------------|-------------------|
| 36 | G070 9502 | Tray Heater Kit - 120V 9W±1W | 1 |
| 36 | G070 9503 | Tray Heater Kit - 230V 9W±1W | 1 |
| 101 | 0451 3008H | Tapping Screw - M3x8 | |
| 102 | 0450 3030B | Tapping Screw - M3x30 | |
| 103 | 0451 3010H | Tapping Screw - 3x10 | |
| 104 | 0450 3008B | Tapping Screw - M3x8 | |

3.PAPER REGISTRATION (G071)

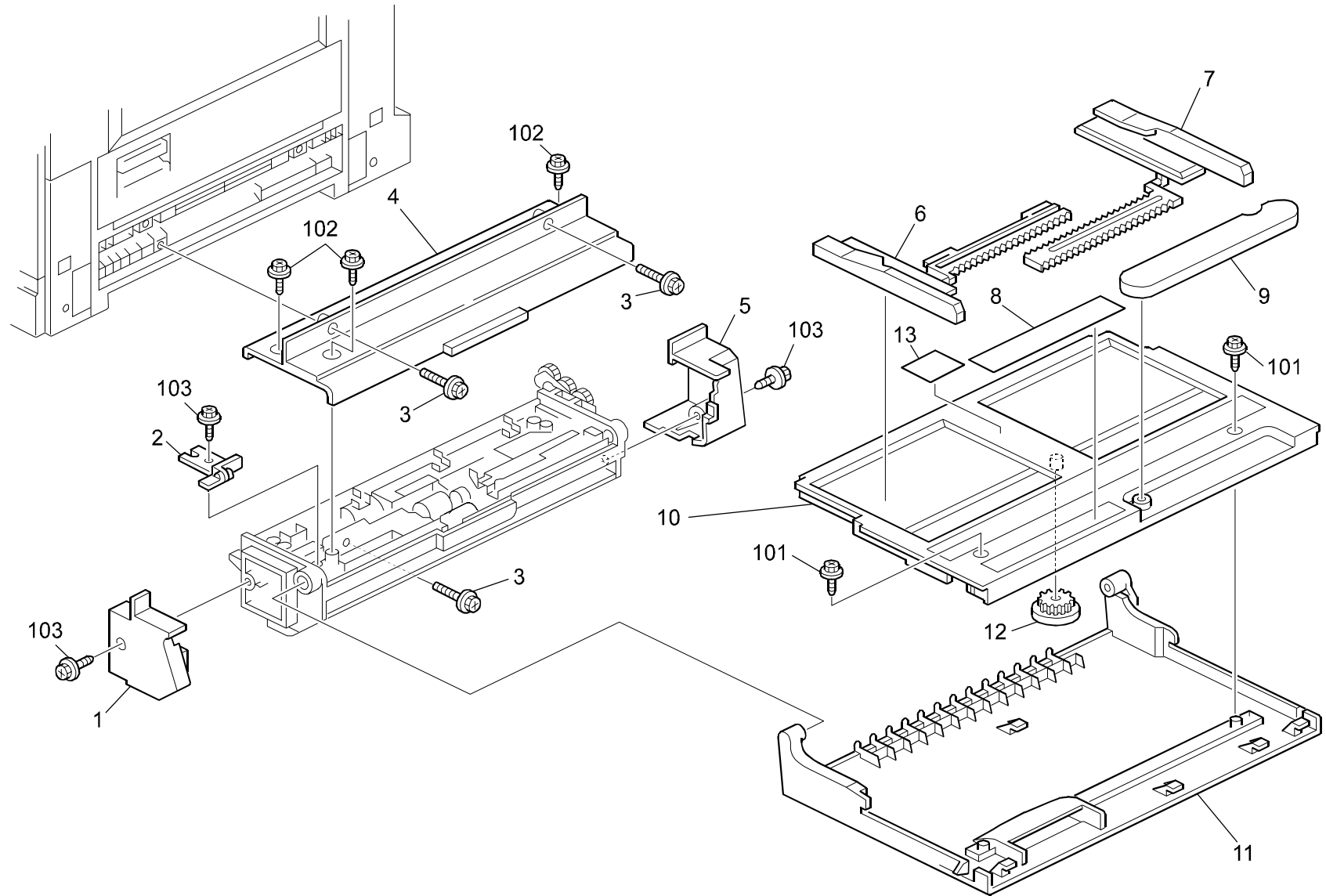


3.PAPER REGISTRATION (G071)

| Index No. | Part No. | Description | Q'ty Per Assembly |
|-----------|-----------|-----------------------------------|-------------------|
| 1 | G070 6145 | Slide Rail | 1 |
| 2 | G070 6175 | Grounding Plate - Slide Rail | 1 |
| 3 | G070 6157 | Slide Rail Stopper | 1 |
| 4 | G070 6150 | Left Lower Rail | 1 |
| 5 | G070 6158 | Power Supply Unit Cover | 1 |
| 6 | G070 6152 | Right Lower Rail | 1 |
| 7 | AB01 1421 | Gear - 32Z | 1 |
| 8 | G070 1197 | Gap Gear Guide | 1 |
| 9 | AA08 2101 | Bushing - 6x10x6 | 2 |
| 10 | AB01 1225 | Gear - 28Z | 1 |
| 11 | AF02 0537 | Drive Roller - Vertical Transport | 1 |
| 12 | AF02 0536 | Registration Drive Roller | 1 |
| 13 | AA08 0271 | Bushing | 2 |
| 14 | G070 5310 | Registration Sensor Harness | 1 |
| 15 | AW01 0049 | Photo Reflection Sensor | 1 |
| 16 | G070 2577 | Registration Sensor Bracket | 1 |
| 17 | G070 6174 | Knob Screw - M4 | 1 |
| 18 | G070 2573 | Registration Guide | 1 |
| 19 | G070 6170 | Stopper Bracket | 1 |
| 20 | G070 6173 | Screw - M3 | 1 |

| Index No. | Part No. | Description | Q'ty Per Assembly |
|-----------|------------|----------------------------|-------------------|
| 101 | 0451 3006B | Tapping Screw - M3x6 | |
| 102 | 0452 3008B | Tapping Screw - M3x8 | |
| 103 | 0353 0040B | Screw - M3X4 | |
| 104 | 0805 0089 | Retaining Ring - M4 | |
| 105 | 0805 0088 | Retaining Ring - M6 | |
| 106 | 1105 0511 | Harness Clamp - LWS-0306ZC | |
| 107 | 0622 0160E | Spring Pin - 2x16mm | |

4.BY-PASS FEED UNIT 1(G071)



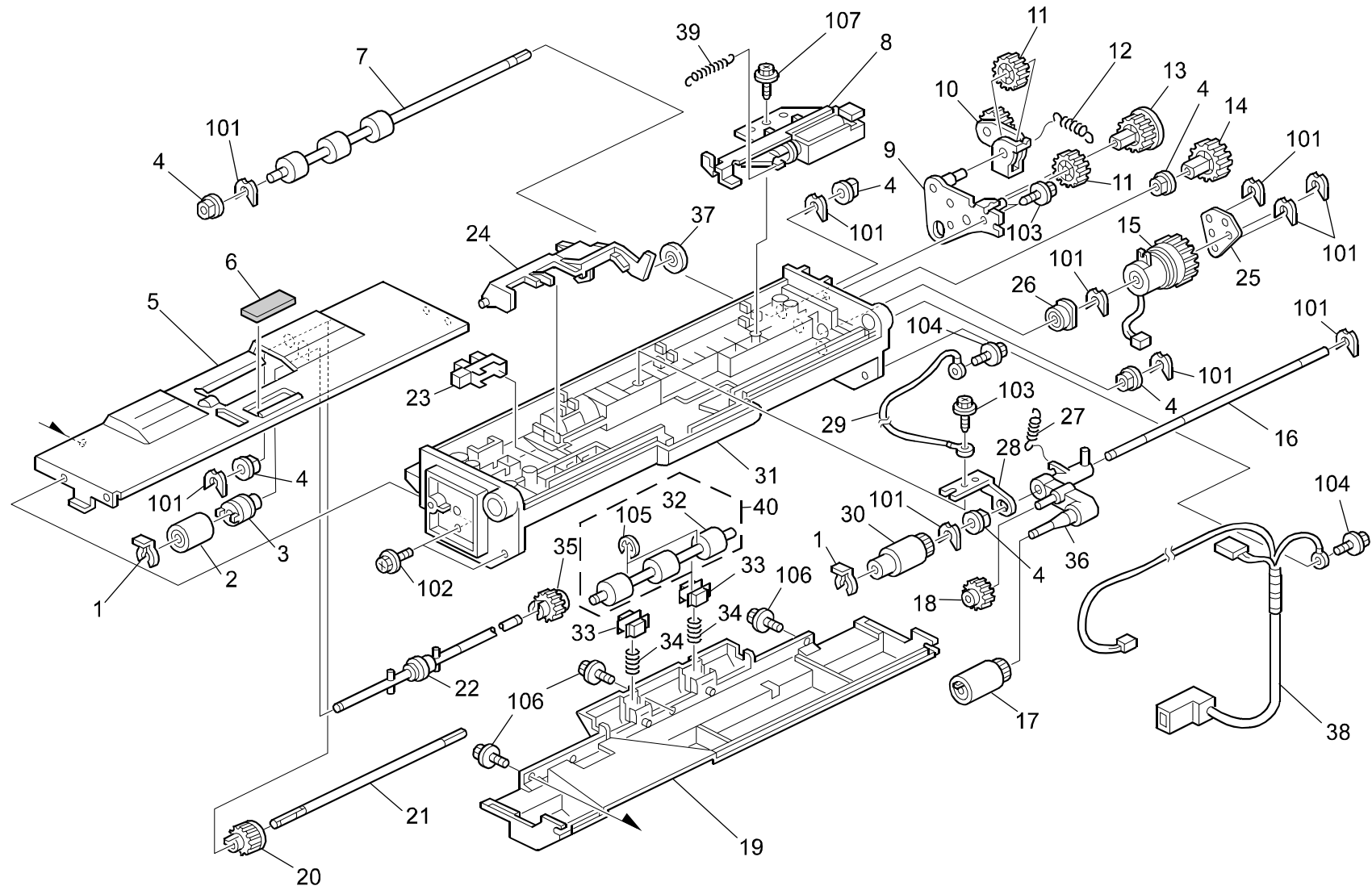
4.BY-PASS FEED UNIT 1(G071)

| Index No. | Part No. | Description | Q'ty Per Assembly |
|-----------|-----------|--------------------------------|-------------------|
| 1 | G304 6859 | Front Cover - By-pass Feed | 1 |
| 2 | G304 6868 | Hinge Lock | 1 |
| 3 | G304 6811 | Hexagonal Set Screw - M3x8 | 3 |
| 4 | G304 6848 | Upper Cover - By-pass Feed | 1 |
| 5 | G304 6847 | Rear Cover - By-pass Feed | 1 |
| 6 | G304 6841 | Front Side Fence | 1 |
| 7 | G304 6842 | Rear Side Fence | 1 |
| 8 | G304 6813 | Decal - By-pass Feed Direction | 1 |
| 9 | G060 2905 | Paper Guide - Manual Feed Tabl | 1 |
| 10 | G304 6839 | Manual Feed Table | 1 |
| 11 | G304 6840 | By-pass Feed Table Cover | 1 |
| 12 | G012 3050 | Side Fence Gear | 1 |
| 13 | B051 2580 | Decal - Ohp Paper Feed | 1 |



| Index No. | Part No. | Description | Q'ty Per Assembly |
|-----------|------------|----------------------|-------------------|
| 101 | 0450 3008H | Tapping Screw M3x8 | |
| 102 | 0451 3008H | Tapping Screw - M3x8 | |

5.BY-PASS FEED UNIT 2(G071)

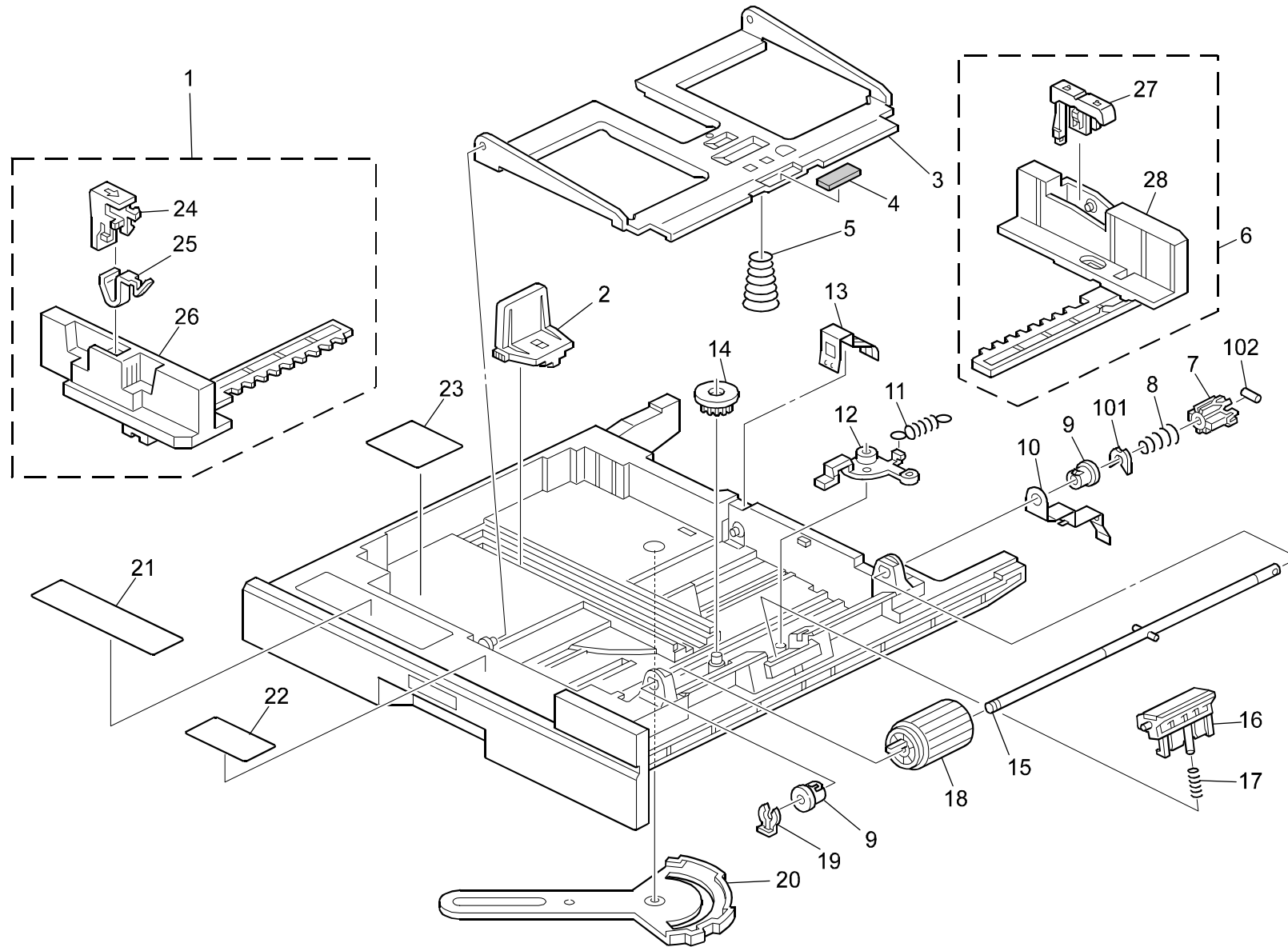


5.BY-PASS FEED UNIT 2(G071)

| Index No. | Part No. | Description | Q'ty Per Assembly |
|-----------|-----------|----------------------------------|-------------------|
| 1 | 5447 2681 | Snap Ring | 2 |
| 2 | AF03 2046 | Separation Roller - Manual Feed | 1 |
| 3 | G060 2900 | Torque Limiter - 40mn¥m 18mm | 1 |
| 4 | AA08 2101 | Bushing - 6x10x6 | 6 |
| 5 | G304 6808 | Separator Guide Plate | 1 |
| 6 | AF01 3016 | Bottom Plate Pad | 1 |
| 7 | AF02 0543 | Drive Roller - By-pass Feed | 1 |
| 8 | G060 2937 | DC Solenoid - Pick-up | 1 |
| 9 | G304 6832 | Transmission Drive Bracket | 1 |
| 10 | G304 6829 | Tightener Arm | 1 |
| 11 | AB01 1223 | Idler Gear - 25Z | 2 |
| 12 | AA06 0872 | Spring | 1 |
| 13 | AB01 1224 | Gear - 28Z | 1 |
| 14 | AB01 1222 | Separation Drive Gear - 22Z | 1 |
| 15 | AX20 0230 | Magnetic Clutch - 245mm 35Z | 1 |
| 16 | AA14 0742 | Feed Shaft | 1 |
| 17 | AF03 0022 | Pickup Roller | 1 |
| 18 | AB01 1387 | Gear - 23Z | 1 |
| 19 | G304 6867 | Lower Cover | 1 |
| 20 | AB01 1416 | Gear - 20Z | 1 |
| 21 | AA14 0741 | Drive Shaft | 1 |
| 22 | G304 6810 | Driven Shaft | 1 |
| 23 | AW02 0056 | Photointerruptor - EE-SX4235A-P1 | 1 |
| 24 | G060 2931 | Feeler - Paper End | 1 |
| 25 | G304 6828 | Guide Plate - Drive Gear | 1 |
| 26 | AA08 3018 | Roller Clutch - 6x14x10 | 1 |
| 27 | AA06 3499 | Pressure Spring | 1 |
| 28 | G060 2914 | Stopper Plate | 1 |
| 29 | G304 5332 | Grouding Wire Harness | 1 |
| 30 | G047 3257 | Feed Roller | 1 |
| 31 | G304 6804 | By-pass Feed Housing | 1 |
| 32 | AF02 0409 | Driven Roller | 1 |
| 33 | AA08 0254 | Bushing - M4 | 2 |
| 34 | AA06 3401 | Spring | 2 |
| 35 | AB01 1417 | Gear - Separation Driven | 1 |

| Index No. | Part No. | Description | Q'ty Per Assembly |
|-----------|------------|---------------------------|-------------------|
| 36 | G060 2932 | Pick-up Arm - Manual Feed | 1 |
| 37 | A134 2661 | Feeler Roller | 1 |
| 38 | G304 5331 | By-pass Feed Unit Harness | 1 |
| 39 | AA06 3568 | Pressure Spring | 1 |
| 40 | A232 2862 | Driven Roller | 1 |
| 101 | 0805 0089 | Retaining Ring - M4 | |
| 102 | 0451 3008B | Tapping Screw - M3x8 | |
| 103 | 0450 3008B | Tapping Screw - M3x8 | |
| 104 | 0450 3008H | Tapping Screw M3x8 | |
| 105 | 0720 0030E | Retaining Ring - M3 | |
| 106 | 0451 3008H | Tapping Screw - M3x8 | |

6.PAPER CASSETTE (G071)

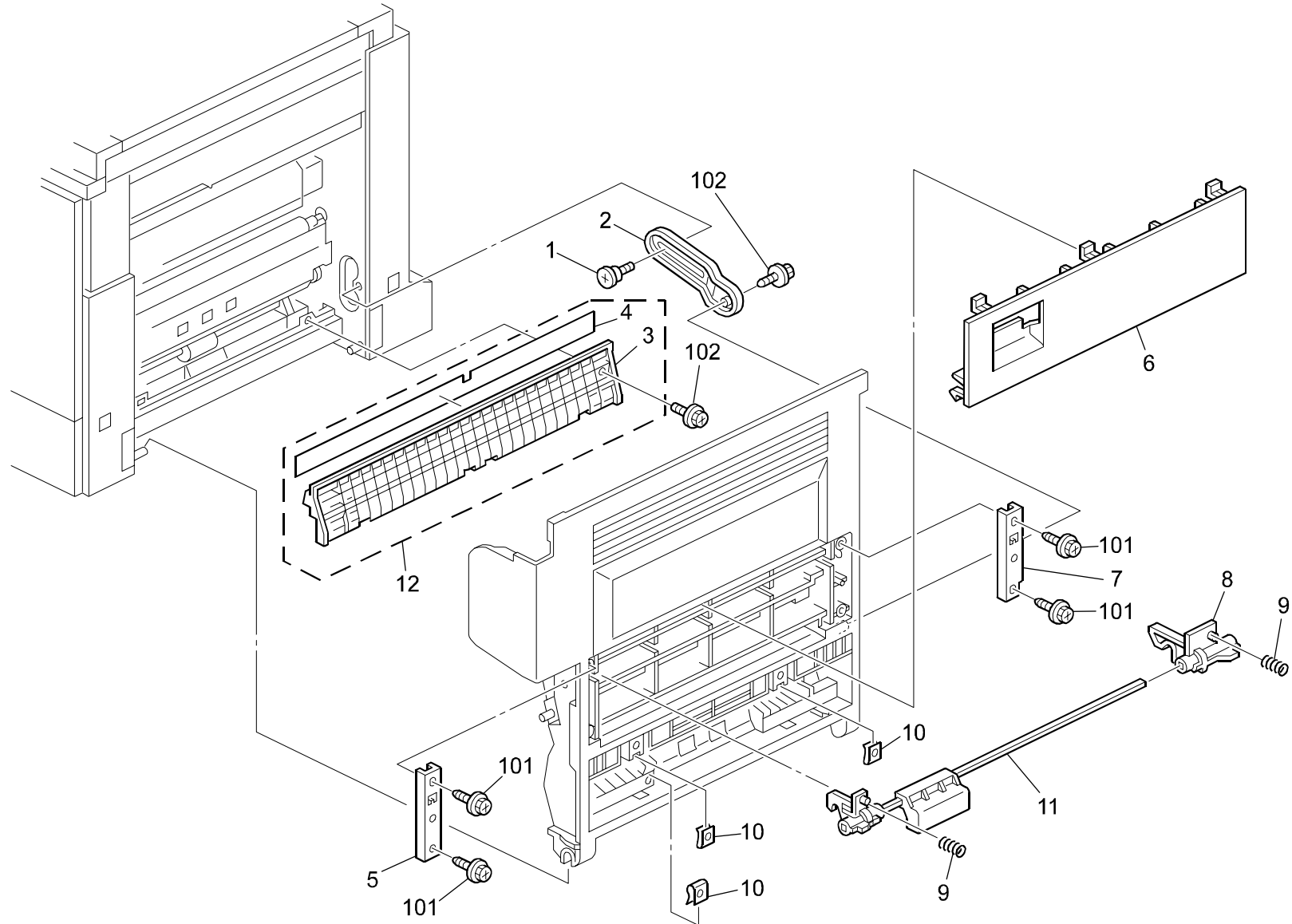


6.PAPER CASSETTE (G071)

| Index No. | Part No. | Description | Q'ty Per Assembly |
|-----------|-----------|-----------------------------|-------------------|
| * | G070 2700 | Paper Tray Ass'y | 1 |
| 1 | G070 2712 | Front Side Fence | 1 |
| 2 | AF01 7025 | End Fence | 1 |
| 3 | AF01 1047 | Tray Bottom Plate | 1 |
| 4 | 5215 2713 | Bottom Plate Pad | 1 |
| 5 | AA06 3628 | Spring - 5.9N/16.6N | 1 |
| 6 | G070 2716 | Rear Side Fence | 1 |
| 7 | G070 2728 | Joint - Feed Roller Shaft | 1 |
| 8 | AA06 3630 | Spring | 1 |
| 9 | B039 2727 | Bushing - 8x12x10 | 2 |
| 10 | G070 2725 | Grounding Plate | 1 |
| 11 | AA06 0866 | Lever Spring | 1 |
| 12 | G070 2711 | Base Stopper | 1 |
| 13 | G070 2719 | Ground Plate- Bottom Plate | 1 |
| 14 | A267 2869 | Gear - 16Z | 1 |
| 15 | G070 2726 | Paper Feed Roller Shaft | 1 |
| 16 | G070 2722 | Friction Pad | 1 |
| 17 | AA06 3629 | Spring - 2.8N | 1 |
| 18 | AF03 1059 | Paper Feed Roller - 36mm | 1 |
| 19 | 5215 2621 | Snap Ring - M6 | 1 |
| 20 | G070 2710 | Paper Size Sensor Link | 1 |
| 21 | G070 2730 | Decal - Paper Set Direction | 1 |
| 22 | B051 2580 | Decal - Ohp Paper Feed | 1 |
| 23 | B051 2581 | Decal - End Fence | 1 |
| 24 | G070 2714 | Front Lever - Stopper | 1 |
| 25 | G070 2713 | Spring Plate Stopper | 1 |
| 26 | AF01 6097 | Front Side Fence | 1 |
| 27 | G070 2717 | Rear Lever Stopper | 1 |
| 28 | AF01 6098 | Rear Side Fence | 1 |

| Index No. | Part No. | Description | Q'ty Per Assembly |
|-----------|------------|---------------------|-------------------|
| 101 | 0805 0088 | Retaining Ring - M6 | |
| 102 | 0623 0140E | Spring Pin - 3x14mm | |

7.VERTICAL TRANSPORT 1 (G071)

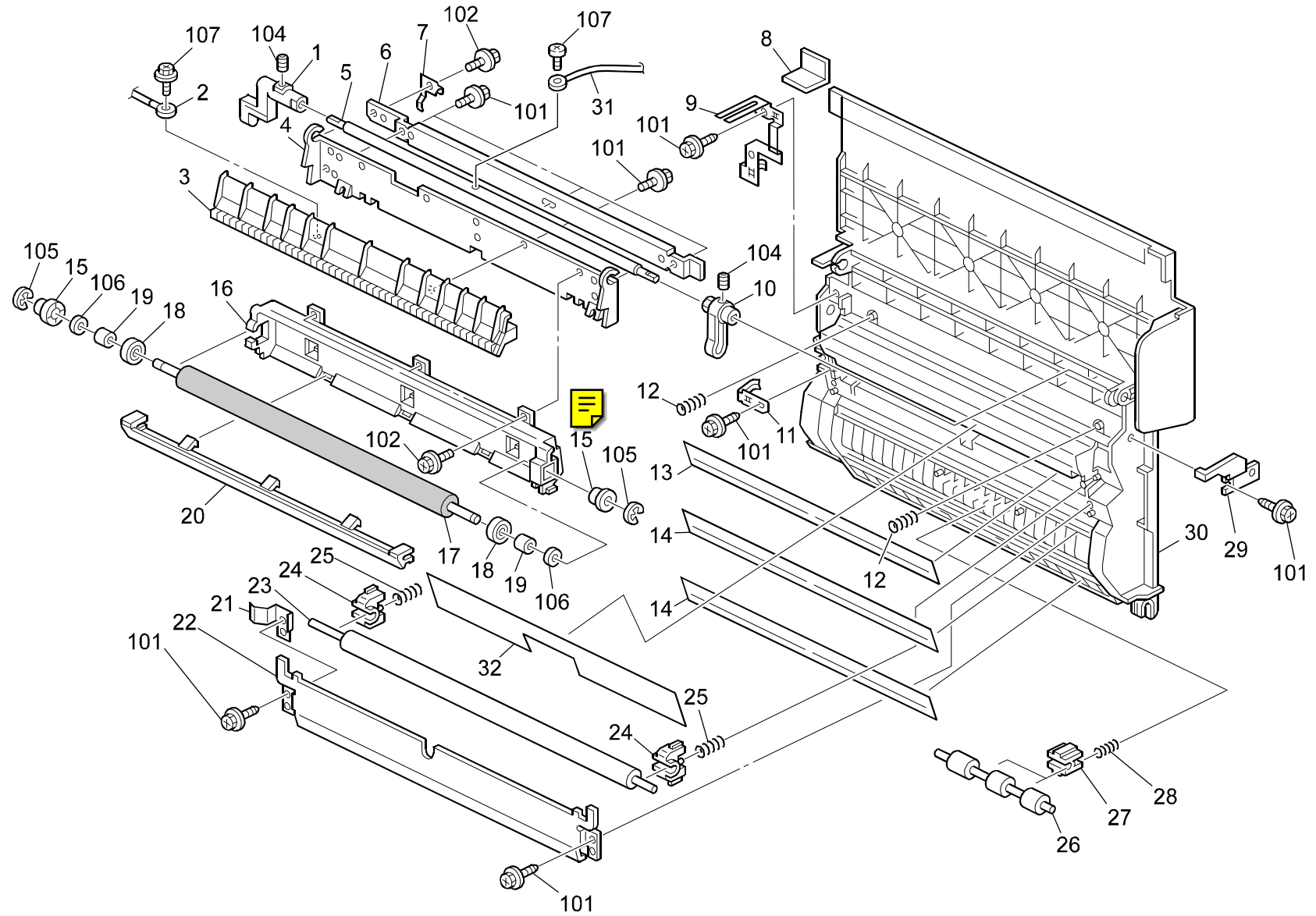


7.VERTICAL TRANSPORT 1 (G071)

| Index No. | Part No. | Description | Q'ty Per Assembly |
|-----------|-----------|-----------------------------------|-------------------|
| 1 | AA14 3493 | Screw | 1 |
| 2 | G070 1196 | Right Link - Transport Cover | 1 |
| 3 | G070 2607 | Guide Plate - Vertical Transport | 1 |
| 4 | G070 2608 | Leading Edghe Guide | 1 |
| 5 | G070 1354 | Front Support Plate - Right Cover | 1 |
| 6 | G070 1357 | Right Cover | 1 |
| 7 | G070 1356 | Rear Support Plate - Right Cover | 1 |
| 8 | G070 1353 | Rear Right Cover Hook | 1 |
| 9 | AA06 3402 | Spring | 2 |
| 10 | A232 1284 | Spring Holder | 3 |
| 11 | G070 1361 | Un Lock Hook | 1 |
| 12 | G070 2606 | Guide Plate | 1 |

| Index No. | Part No. | Description | Q'ty Per Assembly |
|-----------|------------|----------------------|-------------------|
| 101 | 0450 3008B | Tapping Screw - M3x8 | |
| 102 | 0451 3006B | Tapping Screw - M3x6 | |

8.VERTICAL TRANSPORT 2 (G071)

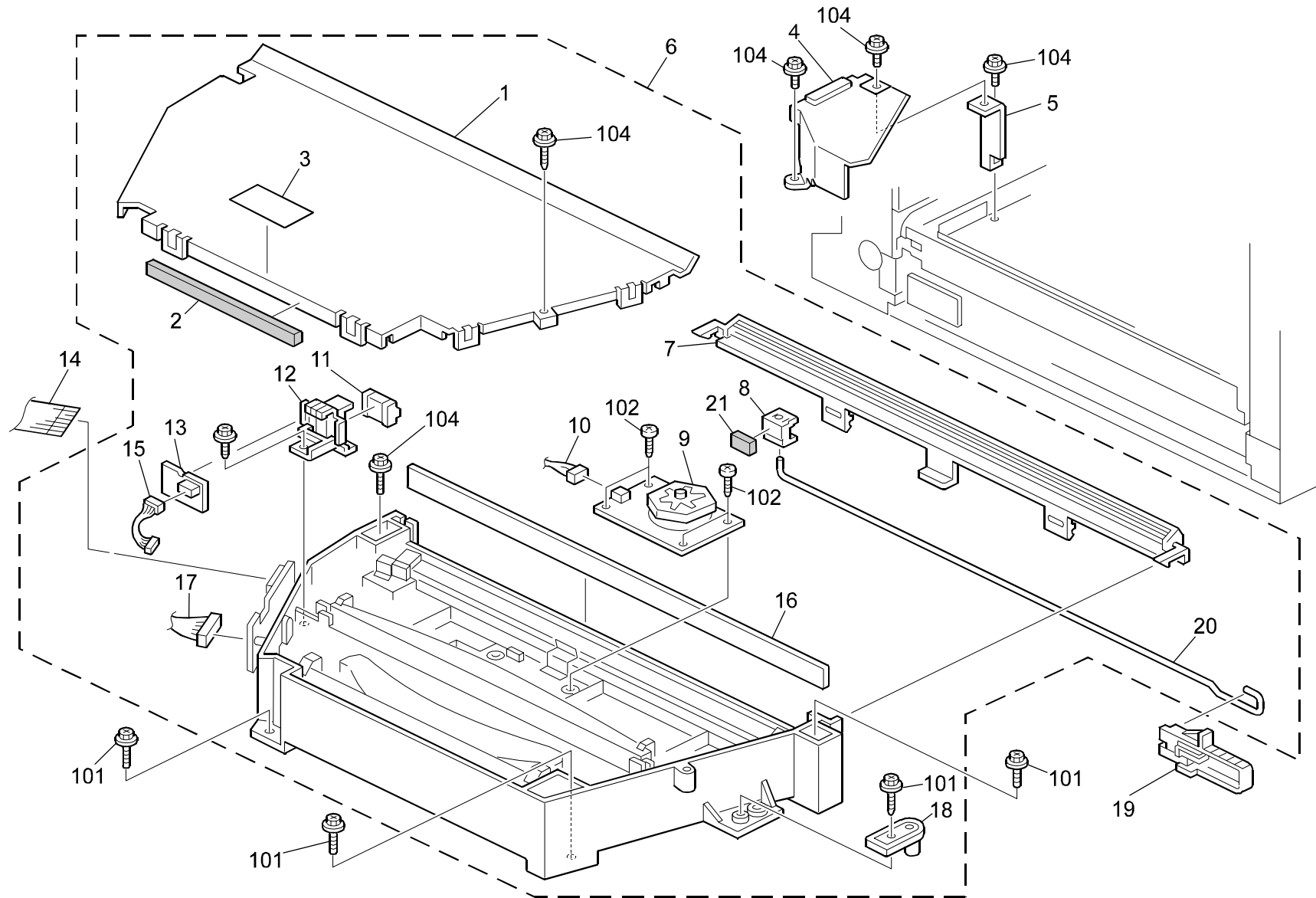


8.VERTICAL TRANSPORT 2 (G071)


| Index No. | Part No. | Description | Q'ty Per Assembly |
|-----------|-----------|------------------------------------|-------------------|
| 1 | G070 6239 | Rear Arm | 1 |
| 2 | G070 5356 | Separation Bias Wire | 1 |
| 3 | G070 6231 | Transport Guide W/T Discharge Pins | 1 |
| 4 | G070 6204 | Transfer Unit Frame | 1 |
| 5 | G070 6240 | Arm Shaft | 1 |
| 6 | G070 6205 | Frame Stay | 1 |
| 7 | G070 6210 | Rear Grounding Plate | 1 |
| 8 | G070 6243 | Terminal Cover Sheet | 1 |
| 9 | G070 6218 | Transfer Roller Terminal | 1 |
| 10 | G070 6238 | Front Arm | 1 |
| 11 | G070 6220 | Separation Terminal | 1 |
| 12 | AA06 3876 | Transfer Unit Spring -10n | 2 |
| 13 | G070 6229 | Vertical Transport Sheet | 1 |
| 14 | G070 1281 | Right Cover Guide - By-pass Feed | 2 |
| 15 | G070 6202 | Transfer Roller Bushing | 2 |
| 16 | G070 6206 | Transfer Roller Holder | 1 |
| 17 | G070 6200 | Transfer Roller | 1 |
| 18 | G070 6201 | Transfer Roller | 2 |
| 19 | G070 6236 | Collar - 8x11x10 | 2 |
| 20 | G070 6245 | Entrance Guide | 1 |
| 21 | G070 2584 | Grounding Plate | 1 |
| 22 | G070 2583 | Right Guide Plate | 1 |
| 23 | AF02 1068 | Registration Driven Roller - 14mm | 1 |
| 24 | AA08 0259 | Bushing | 2 |
| 25 | AA06 3631 | Spring - 20N | 2 |
| 26 | A232 2862 | Driven Roller | 1 |
| 27 | AA08 0254 | Bushing - M4 | 2 |
| 28 | AA06 3563 | Spring | 2 |
| 29 | G070 6221 | Transfer Unit Stopper | 1 |
| 30 | G070 1359 | Right Cover - Vertical Transport | 1 |
| 31 | G070 5370 | Ground Wire - 2nd Transfer Arm | 1 |
| 32 | G070 2585 | Registration Driven Cleaner | 1 |

| Index No. | Part No. | Description | Q'ty Per Assembly |
|-----------|------------|-----------------------------------|-------------------|
| 101 | 0450 3008B | Tapping Screw - M3x8 | |
| 102 | 0451 3006B | Tapping Screw - M3x6 | |
| 103 | 0452 3006B | Tapping Screw - M3x6 | |
| 104 | 0573 0040E | Hexagon Headless Set Screw - M3x4 | |
| 105 | 0720 0060E | Retaining Ring - M6 | |
| 106 | 0740 3708 | Bushing - 8x12x3.5 | |
| 107 | 0353 0040B | Screw - M3X4 | |

9.LD UNIT (G071)

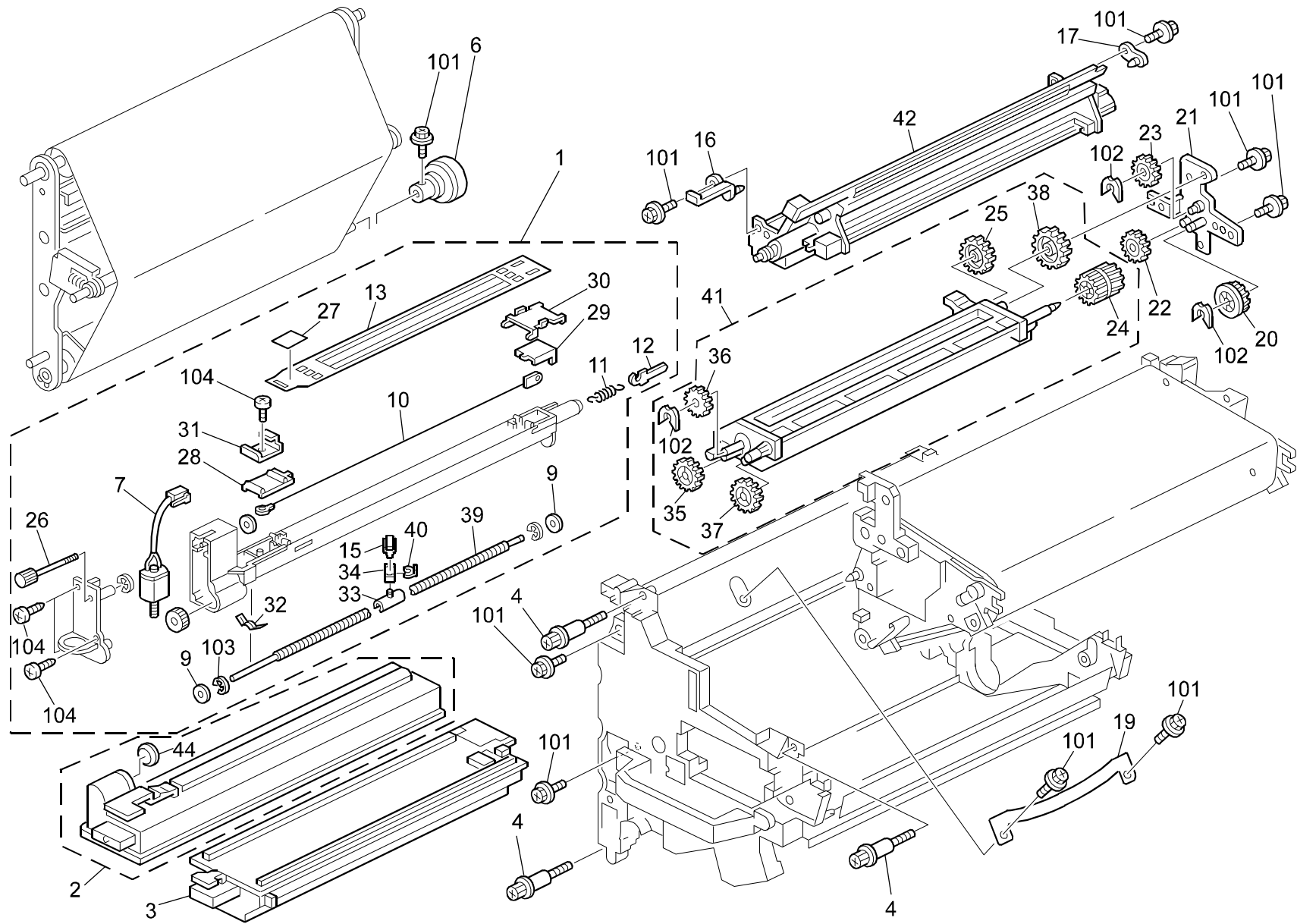


9.LD UNIT (G071)

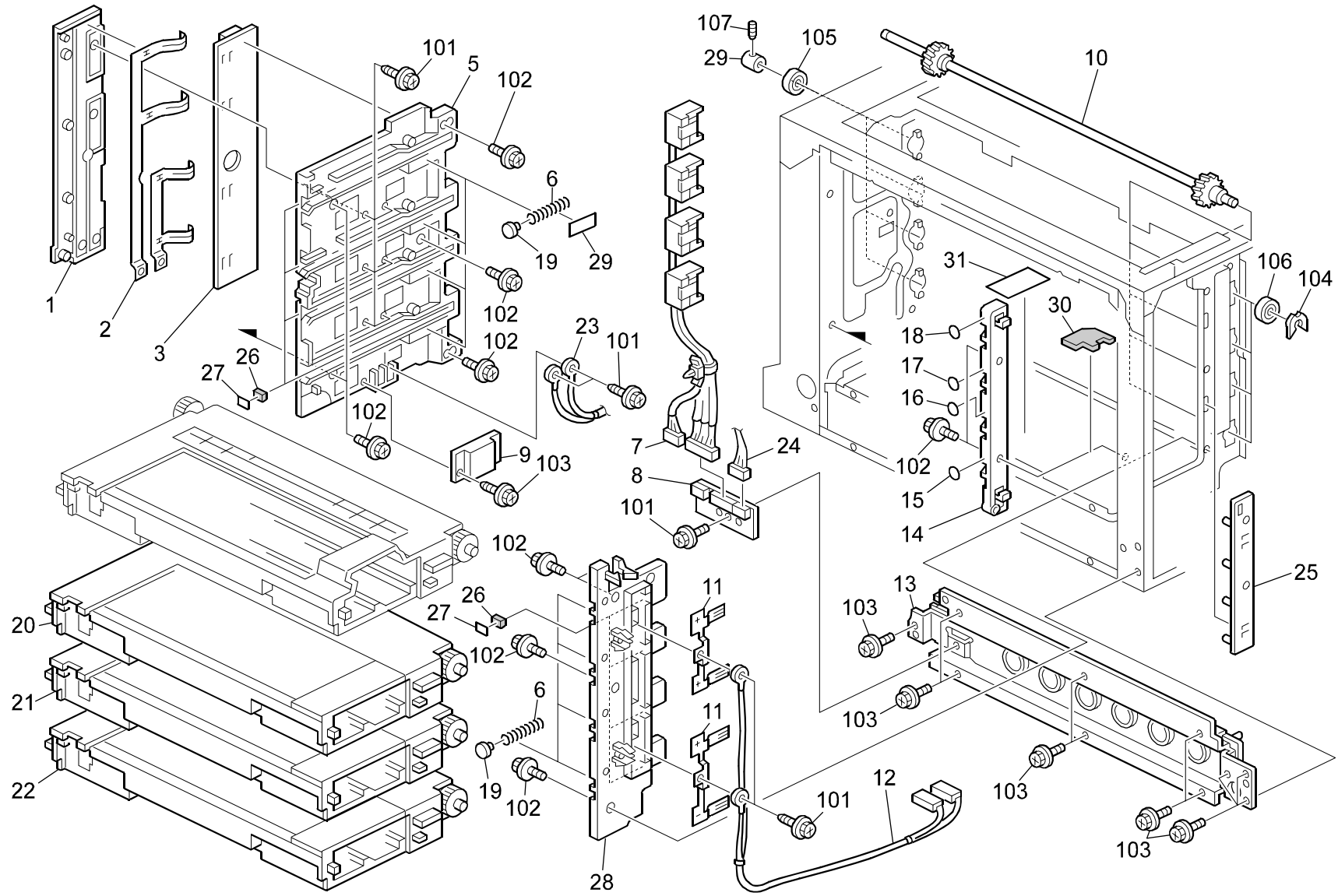
| Index No. | Part No. | Description | Q'ty Per Assembly |
|-----------|--|---------------------------------|-------------------|
| 1 | G070 1941 | Cover | 1 |
| 2 | G070 1942 | Front Cover Shield | 1 |
| 3 | AA00 0217 | Decal - LD 655 | 1 |
| 4 | G070 1971 | LD Unit Cover | 1 |
| 5 | G070 1972 | Cover Bracket - LD Unit | 1 |
| 6 | G070 1855 | Imaging Unit | 1 |
| 7 | G070 1952 | Shield Glass Cover | 1 |
| 8 | G070 1954 | Cleaner Holder | 1 |
| 9 | G070 1975 | Polygon Scanner | 1 |
| 10 | G070 5322 | Polygon Motor Harness | 1 |
| 11 | G029 1975 | Cylindrical Lens | 1 |
| 12 | G070 1925 | Sync Detector Holder | 1 |
| 13 | G070 5240 | Sync Detector Board | 1 |
| 14 | G070 5325 | Harness - FFC-LD | 1 |
| 15 | G070 5342 | Harness - LD Control Board-sync | 1 |
| 16 | G070 1903 | Shield Glass | 1 |
| 17 | G070 5321 | Harness - BCU-LD Power | 1 |
| 18 | G070 1902 | Positioning Pin | 1 |
| 19 | G070 1956 | Cleaner Grip | 1 |
| 20 | G070 1953 | Cleaner Shaft | 1 |
| 21 | G070 1955 | Cleaner | 1 |
| |  | | |

| Index No. | Part No. | Description | Q'ty Per Assembly |
|-----------|------------|----------------------------|-------------------|
| 101 | 0450 3010B | Tapping Screw - M3x10 | |
| 102 | 0452 3008B | Tapping Screw - M3x8 | |
| 103 | 0452 3010W | Tapping Bind Screw - M3x10 | |
| 104 | 0451 3006B | Tapping Screw - M3x6 | |

10.PCU SECTION (G071)



11.DEVELOPMENT SECTION (G071)

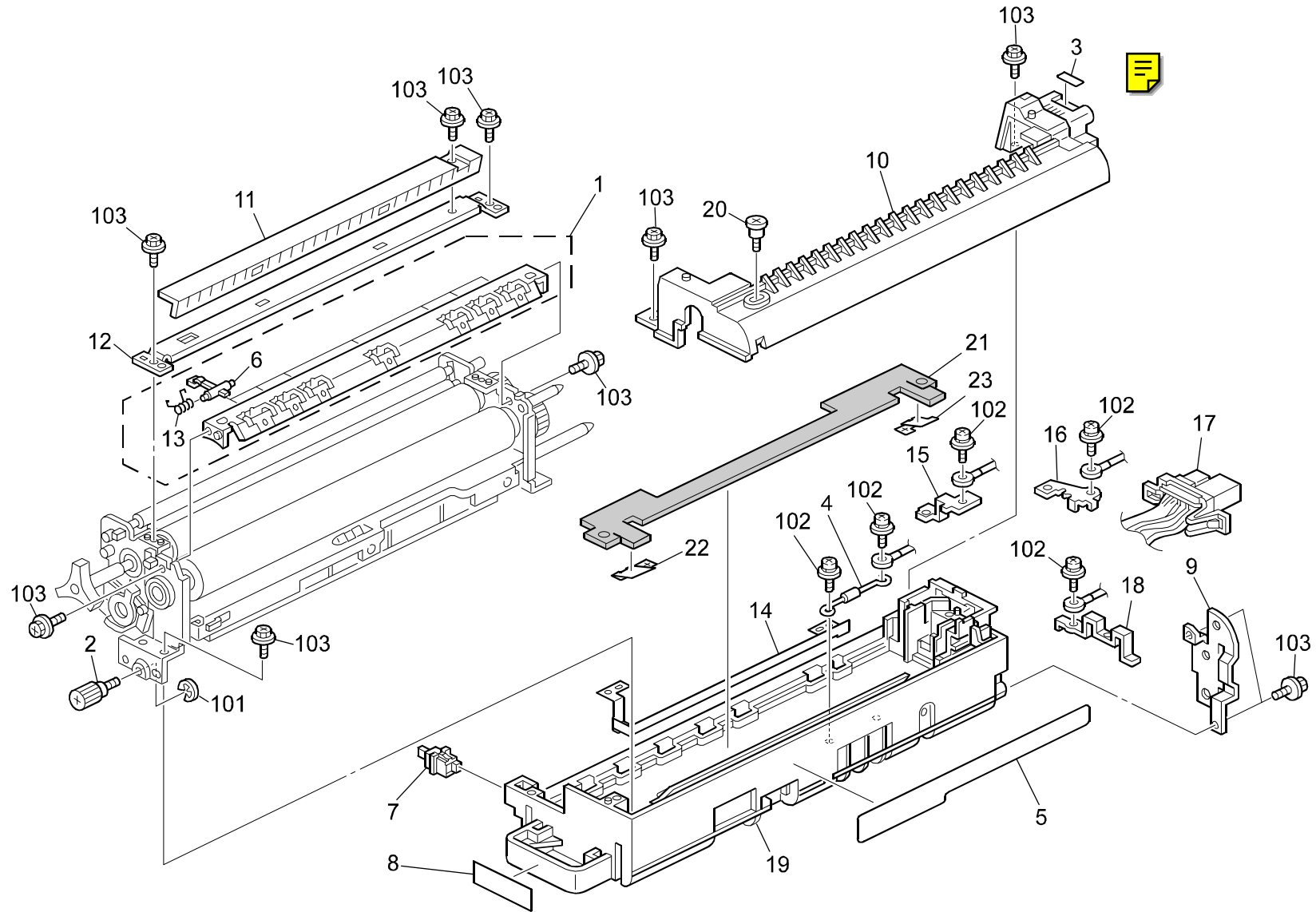


11.DEVELOPMENT SECTION (G071)





| Index No. | Part No. | Description | Q'ty Per Assembly |
|-----------|-----------|-------------------------------|-------------------|
| 1 | G070 3293 | Terminal Cover - Doctor Blade | 1 |
| 2 | G070 3291 | Doctor Blade Terminal | 1 |
| 3 | G070 5270 | Rear Toner End Sensor | 1 |
| 4 | G070 3292 | Doctor Blade Terminal | 1 |
| 5 | G070 3232 | Rear Side Plate | 1 |
| 6 | G070 3239 | Compression Spring | 8 |
| 7 | G070 5285 | Harness - ID Sensor Board | 1 |
| 8 | G070 5281 | ID Sensor Board | 1 |
| 9 | G070 3295 | Bias Terminal Cover | 1 |
| 10 | G070 4607 | Development Shaft - FC | 4 |
| 11 | G070 3236 | Development Vias Terminal | 2 |
| 12 | G070 5353 | High Boltage Harness - B2 | 1 |
| 13 | G070 1059 | Left Upper Stay | 1 |
| 14 | G070 3233 | Side Plate - Front Left | 1 |
| 15 | G024 6992 | Display Decal - Magenta | 1 |
| 16 | G024 6991 | Display Decal - Cyan | 1 |
| 17 | G024 6993 | Display Decal - Yellow | 1 |
| 18 | G024 6994 | Display Decal - Black | 1 |
| 19 | G070 3240 | Spring Cap | 8 |
| 20 | G070 3502 | Development Unit - Y Ass'y | 1 |
| 21 | G070 3503 | Development Unit - C Ass'y | 1 |
| 22 | G070 3501 | Development Unit - M Ass'y | 1 |
| 23 | G070 5363 | Doctor Blade Bias Harness | 1 |
| 24 | G070 5364 | Harness - BCU-ID | 1 |
| 25 | G070 5260 | Front Toner End Sensor | 1 |
| 26 | G070 3248 | Damper - Development Roller | 8 |
| 27 | G070 3237 | Damper Cover | 1 |
| 28 | G070 3231 | Frontside Plate | 1 |
| 29 | G070 4605 | Color Shaft - Development | 8 |
| 30 | G070 1094 | Lower Shield - Front Left | 1 |
| 31 | G070 1093 | Front Lower Middle Shield | 1 |

| Index No. | Part No. | Description | Q'ty Per Assembly |
|-----------|------------|-----------------------------------|-------------------|
| 101 | 0451 3008B | Tapping Screw - M3x8 | |
| 102 | 0450 3008B | Tapping Screw - M3x8 | |
| 103 | 0451 3006B | Tapping Screw - M3x6 | |
| 104 | 0805 0088 | Retaining Ring - M6 | |
| 105 | 0740 3008 | Ball Bearing - 8x22x7 | |
| 106 | 0740 3808 | Ball Bearing - 8x16x5mm | |
| 107 | 0574 0040 | Hexagon Headless Set Screw - M4x4 | |

12.FUSING UNIT 1 (G071)

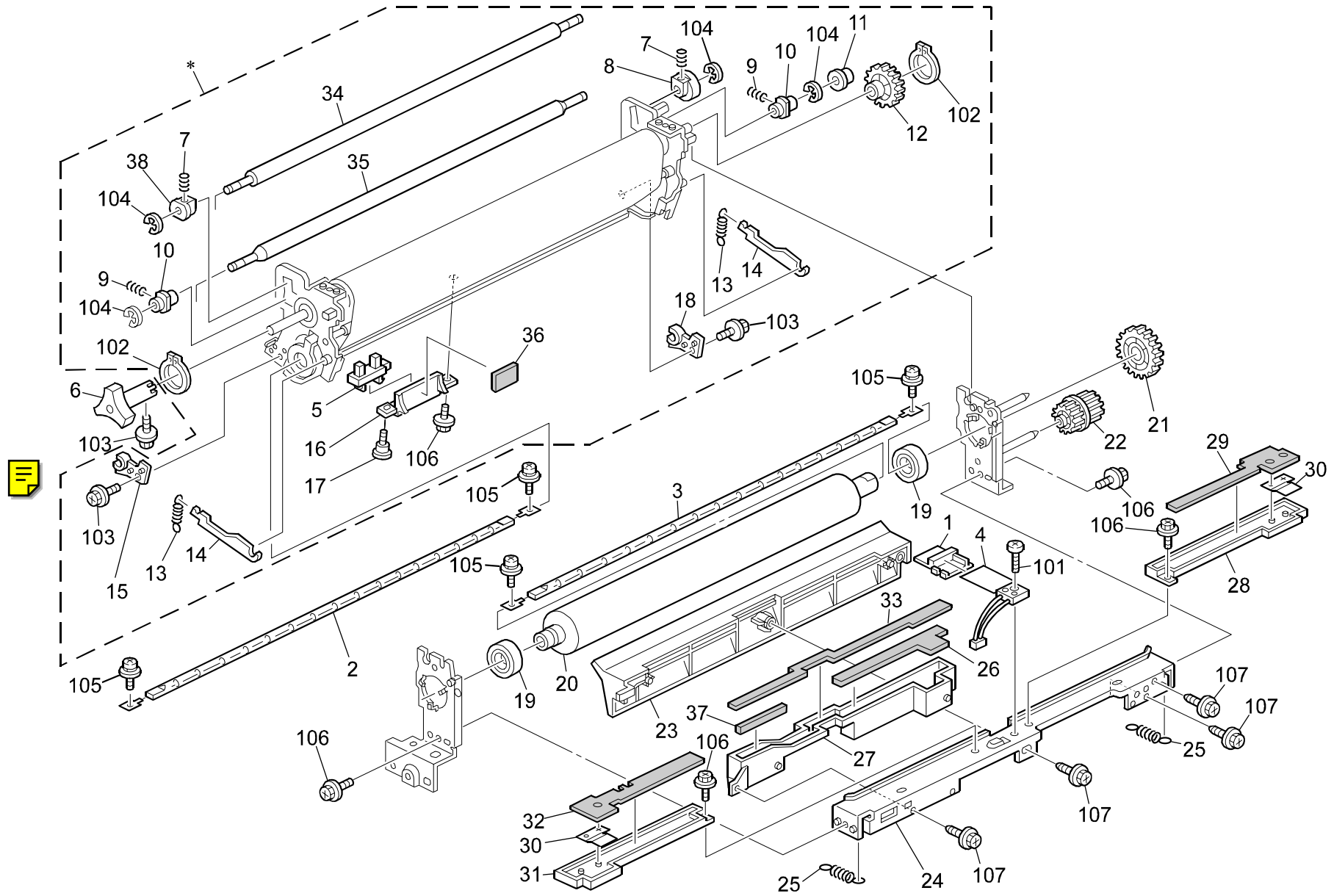


12.FUSING UNIT 1 (G071)

| Index No. | Part No. | Description | Q'ty Per Assembly | |
|--|----------|---|-----------------------------------|---|
|  | 1 | G070 4004 | Pick-off Pawl - Pressure Roller | 1 |
| | 2 | AA14 3524 | Knob Screw - M4 | 1 |
| | 3 | AA00 3016 | Grip Decal | 1 |
| | 4 | G060 4351 | Thermofuse - 131BC | 1 |
| | 5 | GA00 0025 | Decal - Warning | 1 |
|  | 6 | AE04 4041 | Stripper Pawl - Pressure Roller | 1 |
| | 7 | AW50 0023 | Push Switch | 1 |
| | 8 | AA00 3013 | Grip Decal | 1 |
| | 9 | G070 4148 | Shaft Support Plate | 1 |
| | 10 | G070 4150 | Fusing Upper Cover | 1 |
| | 11 | G070 4106 | Guide Plate - Fusing Exit | 1 |
| | 12 | G070 4221 | Fusing Belt Upper Stay | 1 |
|  | 13 | AA06 9261 | Stripper Pawl Spring | 1 |
| | 14 | G070 4132 | Front Electrode Plate | 1 |
| | 15 | G070 4135 | Rear Electrode Plate | 1 |
| | 16 | G070 4141 | Connecting Electrode Plate | 1 |
| | 17 | G070 5332 | Fusing AC Harness - 120V | 1 |
| | 17 | G070 5361 | Fusing AC Harness - 230V | 1 |
| | 18 | G070 4143 | Rear Pressure Terminal Electrode | 1 |
| | 19 | G070 4130 | Fusing Lower Cover | 1 |
| | 20 | 5206 2684 | Shoulder Screw - M3 | 1 |
| | 21 | G070 4138 | Front Oil Absorber Felt | 1 |
| | 22 | G070 4136 | Spring Plate - Front Fusing Cover | 1 |
| | 23 | G070 4137 | Spring Plate - Rear Fusing Cover | 1 |
| | |  | | |


| Index No. | Part No. | Description | Q'ty Per Assembly |
|-----------|------------|----------------------|-------------------|
| 101 | 0720 0040B | Retaining Ring - M4 | |
| 102 | 0954 3008B | Philips Screw - M3x8 | |
| 103 | 0451 3006B | Tapping Screw - M3x6 | |

13.FUSING UNIT 2 (G071)

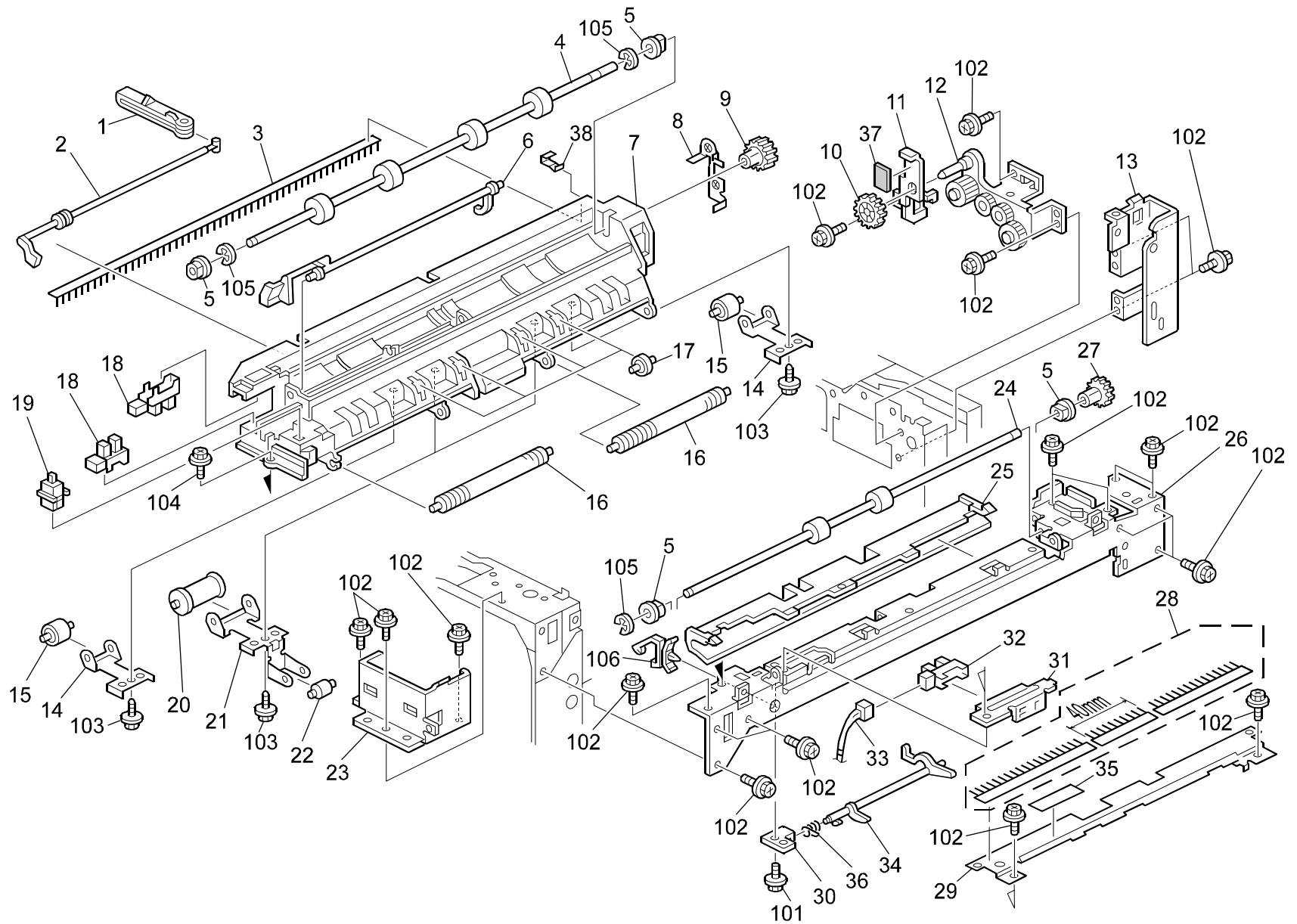


13.FUSING UNIT 2 (G071)

| Index No. | Part No. | Description | Q'ty Per Assembly |
|-----------|-----------|------------------------------------|-------------------|
| * | G070 4005 | Fusing Unit - Fusing Belt Assembly | 1 |
| 1 | G070 4051 | Thermistor Holder | 1 |
| 2 | AX44 0161 | Fusing Lamp - 120V 770W | 1 |
| 2 | AX44 0162 | Fusing Lamp - 230V 770W | 1 |
| 3 | AX43 0078 | Fusing Lamp - 120V 350W | 1 |
| 3 | AX43 0079 | Fusing Lamp - 230V 350W | 1 |
| 4 | AW10 0061 | Pressure Thermistor | 1 |
| 5 | G024 4740 | Oil End Sensor | 1 |
| 6 | G070 4147 | Fusing Knob | 1 |
| 7 | AA06 3865 | Spring - Oiling Roller | 2 |
| 8 | AE03 1054 | Bushing -4x8x8.5 | 1 |
| 9 | AA06 3865 | Spring - Oiling Roller | 2 |
| 10 | AE03 1055 | Bushing -4x9x13 | 2 |
| 11 | G070 4087 | Rubber Shield - 4x8x3 | 1 |
| 12 | AB01 1436 | Gear - 36Z | 1 |
| 13 | AA06 0875 | Belt Tension Spring | 2 |
| 14 | G070 4116 | Belt Tension Lever | 2 |
| 15 | G070 4114 | Front Stopper - Oil Supply Unit | 1 |
| 16 | G070 4118 | Sensor Holder | 1 |
| 17 | 5206 2684 | Shoulder Screw - M3 | 1 |
| 18 | G070 4152 | Rear Stopper - Oil Supply Unit | 1 |
| 19 | AE03 0050 | Ball Bearing - 20x32x7 | 2 |
| 20 | AE02 0119 | Pressure Roller - Assembly | 1 |
| 21 | AB01 1435 | Gear - 47Z | 1 |
| 22 | AB01 7570 | Idler Gear - 28Z/35Z | 1 |
| 23 | G070 4052 | Fusing Entrance Guide Plate | 1 |
| 24 | G070 4050 | Lower Pressure Roller Stay | 1 |
| 25 | AA06 0876 | Tension Spring | 2 |
| 26 | G070 4073 | Front Oil Tank Absorber | 1 |
| 27 | G070 4069 | Oil Tank - Pressure Sub-unit | 1 |
| 28 | G070 4063 | Rear Oil Pan - Pressure Unit | 1 |
| 29 | G070 4066 | Rear Oil Absorber | 1 |
| 30 | G070 4064 | Spring Plate - Pressure Unit | 2 |
| 31 | G070 4062 | Front Oil Pan - Pressure Unit | 1 |
| 32 | G070 4065 | Front Oil Absorber | 1 |

| Index No. | Part No. | Description | Q'ty Per Assembly |
|-----------|------------|---|-------------------|
| 33 | G070 4074 | Oil Tank Absorber - Long | 1 |
| 34 | AE04 0050 | Oil Supply Roller - Oil Supply | 1 |
| 35 | AE04 0037 | Oil Apply Roller - Oil Supply | 1 |
| 36 | G070 4120 | Heat Insulation - Sensor Holder | 1 |
| 37 | G070 4072 | Front Oil Tank Absorber | 1 |
| 38 | B051 4138 | Roller Clutch - 4mm | 1 |
| 39 | B051 4118 | Torsion Spring - Rear | 1 |
| 40 | B051 4120 | Torsion Spring - Front | 1 |
| | |  | |
| 101 | 0954 3010B | Philips Screw - M3x10 | |
| 102 | 0725 0100E | Retaining Ring C - M10 | |
| 103 | 0802 5279 | Tapping Screw With Washer - M3x8 | |
| 104 | 0720 0030E | Retaining Ring - M3 | |
| 105 | 0954 3008B | Philips Screw - M3x8 | |
| 106 | 0451 3006B | Tapping Screw - M3x6 | |
| 107 | 0450 3008B | Tapping Screw - M3x8 | |

14.PAPER EXIT SECTION (G071)

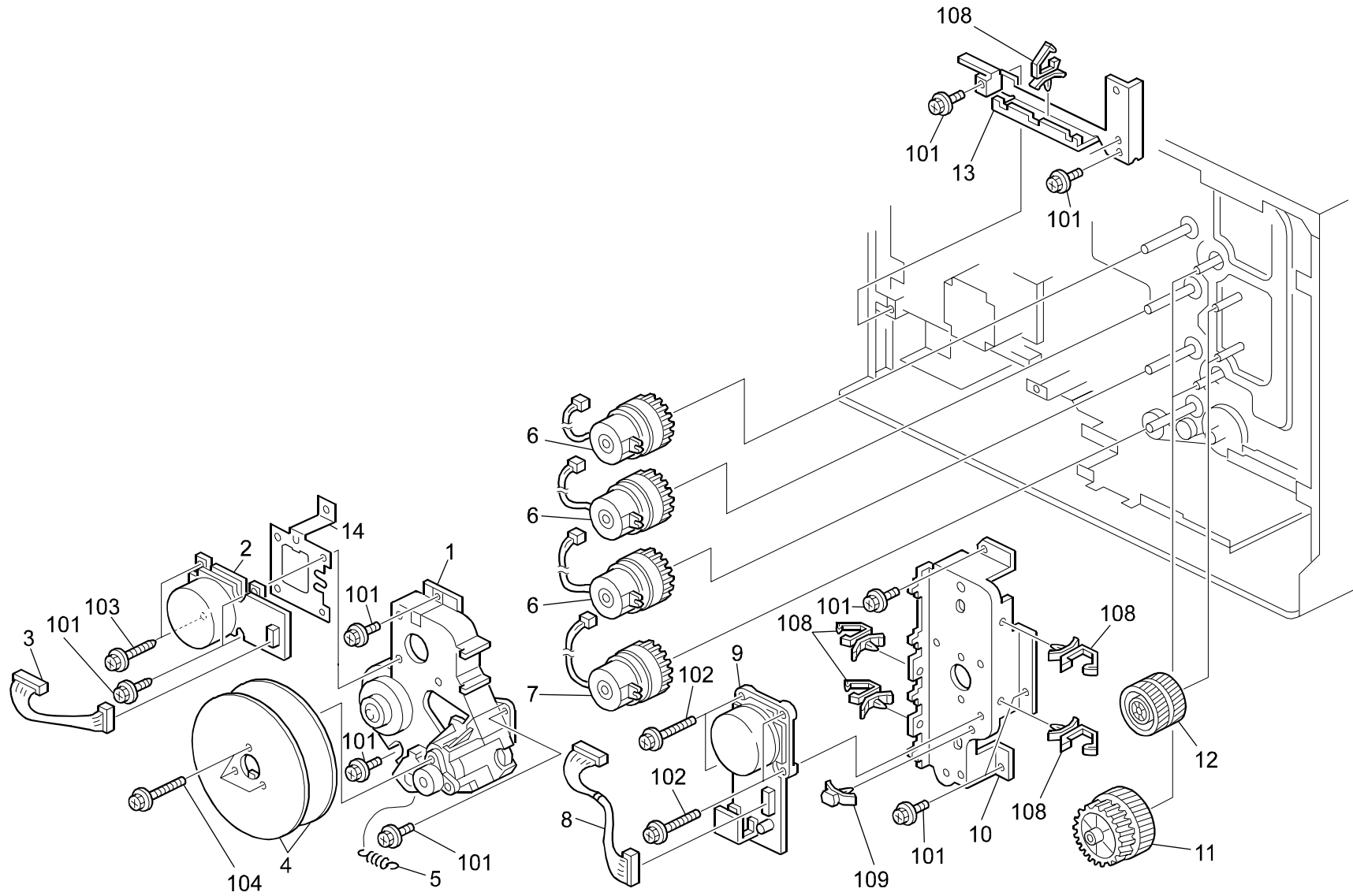


14.PAPER EXIT SECTION (G071)

| Index No. | Part No. | Description | Q'ty Per Assembly |
|-----------|-----------|-------------------------------------|-------------------|
| 1 | A267 4478 | Feeler - Paper Overflow | 1 |
| 2 | G070 4472 | Overflow Shaft | 1 |
| 3 | AA12 0103 | Discharge Brush | 1 |
| 4 | AF02 0545 | Transport Exit Roller | 1 |
| 5 | AA08 2101 | Bushing - 6x10x6 | 4 |
| 6 | A267 4476 | Feeler - Paper Feed Sensor | 1 |
| 7 | G070 4455 | Exit Guide Plate | 1 |
| 8 | G070 4458 | Edit Grounding Plate | 1 |
| 9 | AB01 1229 | Gear - 19Z | 1 |
| 10 | AB01 1425 | Gear - 27Z | 1 |
| 11 | G070 4495 | Exit Angle | 1 |
| 12 | G070 4920 | Exit Drive Bracket | 1 |
| 13 | G070 4491 | 4 Bin Rrar Bracket | 1 |
| 14 | G070 4466 | Spring Plate - Outer Tension Roller | 2 |
| 15 | AF04 0567 | Tension Roller | 2 |
| 16 | G070 4459 | Roller - 9mm | 2 |
| 17 | AF02 2112 | Driven Roller | 4 |
| 18 | AW02 0120 | Photointerruptor - Flat | 2 |
| 19 | AW50 0023 | Push Switch | 1 |
| 20 | AF04 0566 | Tension Roller | 2 |
| 21 | G070 4461 | Spring Plate - Tension Roller | 2 |
| 22 | G047 4785 | Idle Roller | 2 |
| 23 | G070 4490 | 4 Bin Front Bracket | 1 |
| 24 | AF02 0546 | Fusing Exit Roller | 1 |
| 25 | G070 4481 | Guide Plate - Fusing Exit | 1 |
| 26 | G070 1060 | Right Upper Stay | 1 |
| 27 | AB01 1230 | Gear - 14Z | 1 |
| 28 | AA12 0113 | Discharge Brush | 1 |
| 29 | G070 4492 | Grounding Plate - Fusing Exit | 1 |
| 30 | G070 4477 | Bracket - Fusing Exit Feeler | 1 |
| 31 | G070 4486 | Sensor Bracket - Fusing Exit | 1 |
| 32 | AW02 0056 | Photointerruptor - EE-SX4235A-P1 | 1 |
| 33 | G070 5303 | Connecting Harness - Fusing Exit | 1 |
| 34 | G070 4476 | Fusing Exit Feeler | 1 |
| 35 | AA00 0301 | Decal Warning (High Temperature) | 1 |

| Index No. | Part No. | Description | Q'ty Per Assembly |
|-----------|------------|----------------------------------|-------------------|
| 36 | G070 4478 | Spring - Fusing Exit Feeler | 1 |
| 37 | G070 4496 | Seal - Exit | 1 |
| 38 | G070 4462 | Clip - Discharge Brush | 1 |
| 101 | 0802 5276 | Tapping Screw With Washer - M3x6 | |
| 102 | 0451 3006B | Tapping Screw - M3x6 | |
| 103 | 0450 3006B | Tapping Screw - M3x6 | |
| 104 | 0451 3006B | Tapping Screw - M3x6 | |
| 105 | 0720 0040E | Retaining Ring - M4 | |
| 106 | 1105 0511 | Harness Clamp - LWS-0306ZC | |

15.DRIVE SECTION 1 (G071)

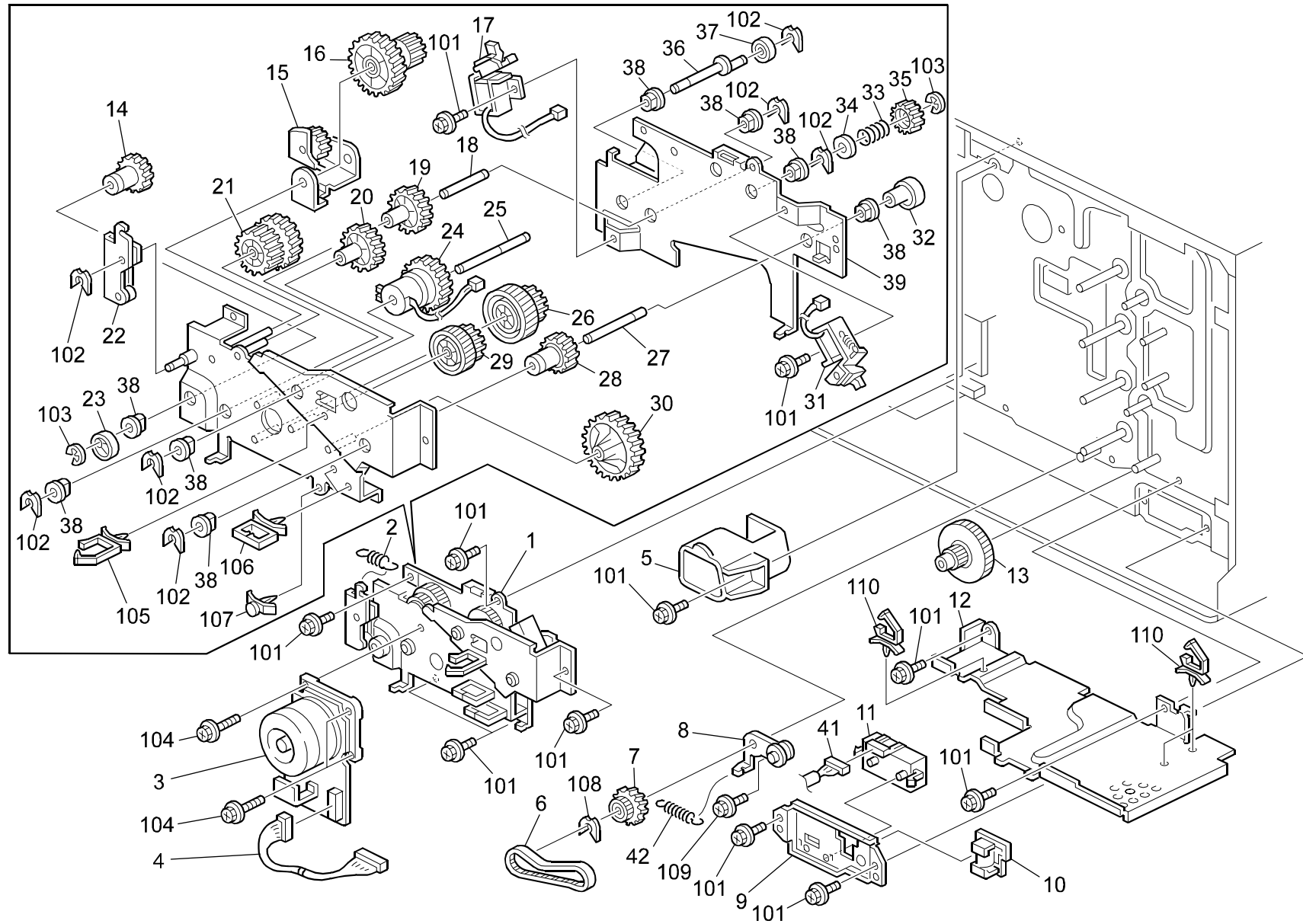


15.DRIVE SECTION 1 (G071)

| Index No. | Part No. | Description | Q'ty Per Assembly |
|-----------|-----------|--------------------------------|-------------------|
| 1 | G070 4700 | Drive Case - Assembly | 1 |
| 2 | AX06 0224 | Brushless Motor - DC8.8W 9Z | 1 |
| 3 | G070 5317 | Harness - IOB-OPC | 1 |
| 4 | G070 4732 | Fly Wheel - 140mm | 2 |
| 5 | AA06 0868 | Tension Spring | 1 |
| 6 | AX21 0078 | Magnetic Clutch | 3 |
| 7 | AX21 0079 | Magnetic Clutch | 1 |
| 8 | G070 5304 | Harness - IOB-Transport M | 1 |
| 9 | AX06 0230 | Brushless Motor - DC26W 9Z | 1 |
| 10 | G070 4611 | Development Drive Bracket | 1 |
| 11 | AB01 7565 | Gear - 93Z/42Z | 1 |
| 12 | AB01 0353 | Idler Gear - 67Z | 1 |
| 13 | G070 5543 | Harness Guide | 1 |
| 14 | G070 4731 | Spring Plate - Brushless Motor | 1 |

| Index No. | Part No. | Description | Q'ty Per Assembly |
|-----------|------------|-----------------------------------|-------------------|
| 101 | 0451 3006B | Tapping Screw - M3x6 | |
| 102 | 0451 3010B | Tapping Screw - M3x10 | |
| 103 | 0450 3008B | Tapping Screw - M3x8 | |
| 104 | 0451 3012B | Tapping Screw With Washer - M3x12 | |
| 105 | 0805 0088 | Retaining Ring - M6 | |
| 106 | 0805 0089 | Retaining Ring - M4 | |
| 107 | 0574 0040E | Hexagon Headless Set Screw - M4x4 | |
| 108 | 1105 0516 | Clamp | |
| 109 | 1106 0383 | Supporter - P.C.B. | |

16.DRIVE SECTION 2 (G071)

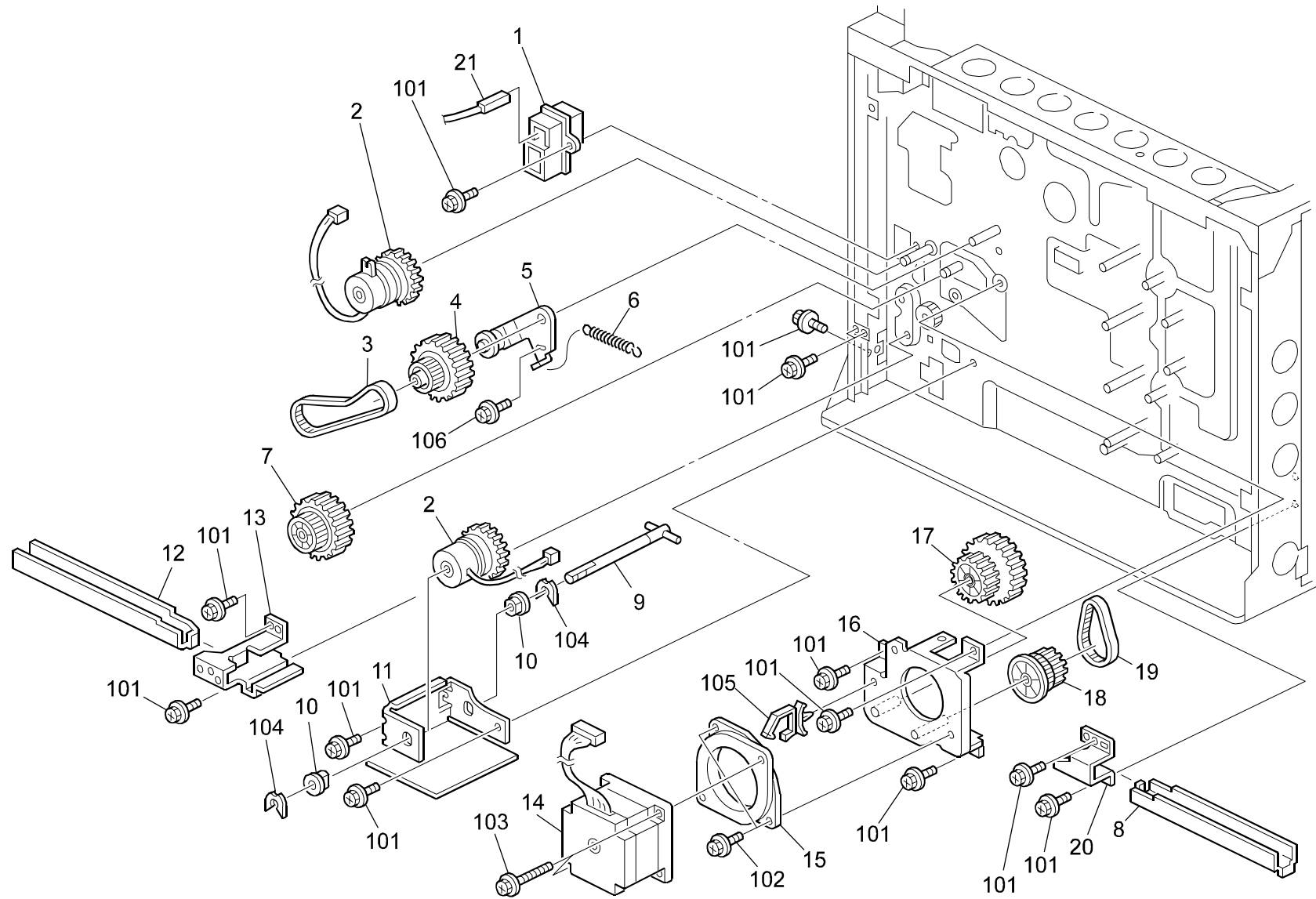


16.DRIVE SECTION 2 (G071)

| Index No. | Part No. | Description | Q'ty Per Assembly |
|-----------|-----------|-------------------------------|-------------------|
| 1 | G070 4800 | Transport Bracket Assembly | 1 |
| 2 | AA06 0881 | Tension Spring | 1 |
| 3 | AX06 0225 | Brushless Motor - DC26W 10Z | 1 |
| 4 | G070 5304 | Harness - IOB-Transport M | 1 |
| 5 | G070 1070 | Fan Duct | 1 |
| 6 | AA04 3566 | Timing Belt - 117TS2M | 1 |
| 7 | AB01 7555 | Timing Pulley - 24Z/34T | 1 |
| 8 | G070 4741 | Tightener Assembly | 1 |
| 9 | G070 2631 | Paper Size Sensor Bracket | 1 |
| 10 | G060 2801 | Holder - Paper Tray | 1 |
| 11 | AW50 0024 | Push Switch | 1 |
| 12 | G070 5502 | Shielding Plate | 1 |
| 13 | AB01 7554 | Gear - 98Z/20T | 1 |
| 14 | AB04 0018 | Spring Clutch - 27Z | 1 |
| 15 | G070 4810 | Swivel Bracket | 1 |
| 16 | G070 4851 | Gear - 25Z/36Z | 1 |
| 17 | G070 4821 | DC Solenoid - Transfer Roller | 1 |
| 18 | AA14 5544 | Second Drive Shaft | 1 |
| 19 | AB01 4210 | Gear - 33Z | 1 |
| 20 | AB01 4209 | Gear - 30Z | 1 |
| 21 | G070 4850 | Gear - 33Z/27Z | 1 |
| 22 | G070 4825 | Arm Bracket | 1 |
| 23 | G070 4829 | On/Off Cam - Second Brake | 1 |
| 24 | AX20 0236 | Magnetic Clutch - 32Z | 1 |
| 25 | AA14 5547 | Cleaning Drive Shaft | 1 |
| 26 | AB01 7557 | Grar - 65Z/20Z | 1 |
| 27 | AA14 5546 | Cleaning On/Off Shaft | 1 |
| 28 | AB04 0018 | Spring Clutch - 27Z | 1 |
| 29 | AB01 7556 | Gear - 24Z/53Z | 1 |
| 30 | AB01 4208 | Gear - 49Z | 1 |
| 31 | G070 4820 | DC Solenoid - Belt Cleaning | 1 |
| 32 | G070 4818 | Cleaning On/Off Cam | 1 |
| 33 | AA06 3647 | Compression Spring | 1 |
| 34 | G070 4823 | Spring Spacer | 1 |
| 35 | AB01 1437 | Gear - 18Z | 1 |

| Index No. | Part No. | Description | Q'ty Per Assembly |
|-----------|------------|----------------------------------|-------------------|
| 36 | G070 4832 | Second Shaft - On/Off | 1 |
| 37 | G070 4834 | Cam Roller | 1 |
| 38 | AA08 2101 | Bushing - 6x10x6 | 8 |
| 39 | G070 4806 | Fusing Inner Bracket | 1 |
| 40 | G070 4801 | Transport Bracket | 1 |
| 41 | G070 5366 | Paper Size Sensor Harness | 1 |
| 101 | 0451 3006B | Tapping Screw - M3x6 | |
| 102 | 0805 0089 | Retaining Ring - M4 | |
| 103 | 0720 0040E | Retaining Ring - M4 | |
| 104 | 0451 3010B | Tapping Screw - M3x10 | |
| 105 | 1105 0490 | Harness Clamp - IWS-2218 | |
| 106 | 1105 0488 | Harness Clamp | |
| 107 | 1106 0383 | Supporter - P.C.B. | |
| 108 | 0805 0088 | Retaining Ring - M6 | |
| 109 | 0802 5279 | Tapping Screw With Washer - M3x8 | |
| 110 | 1105 0487 | Harness Clamp | |

17.DRIVE SECTION 3 (G071)

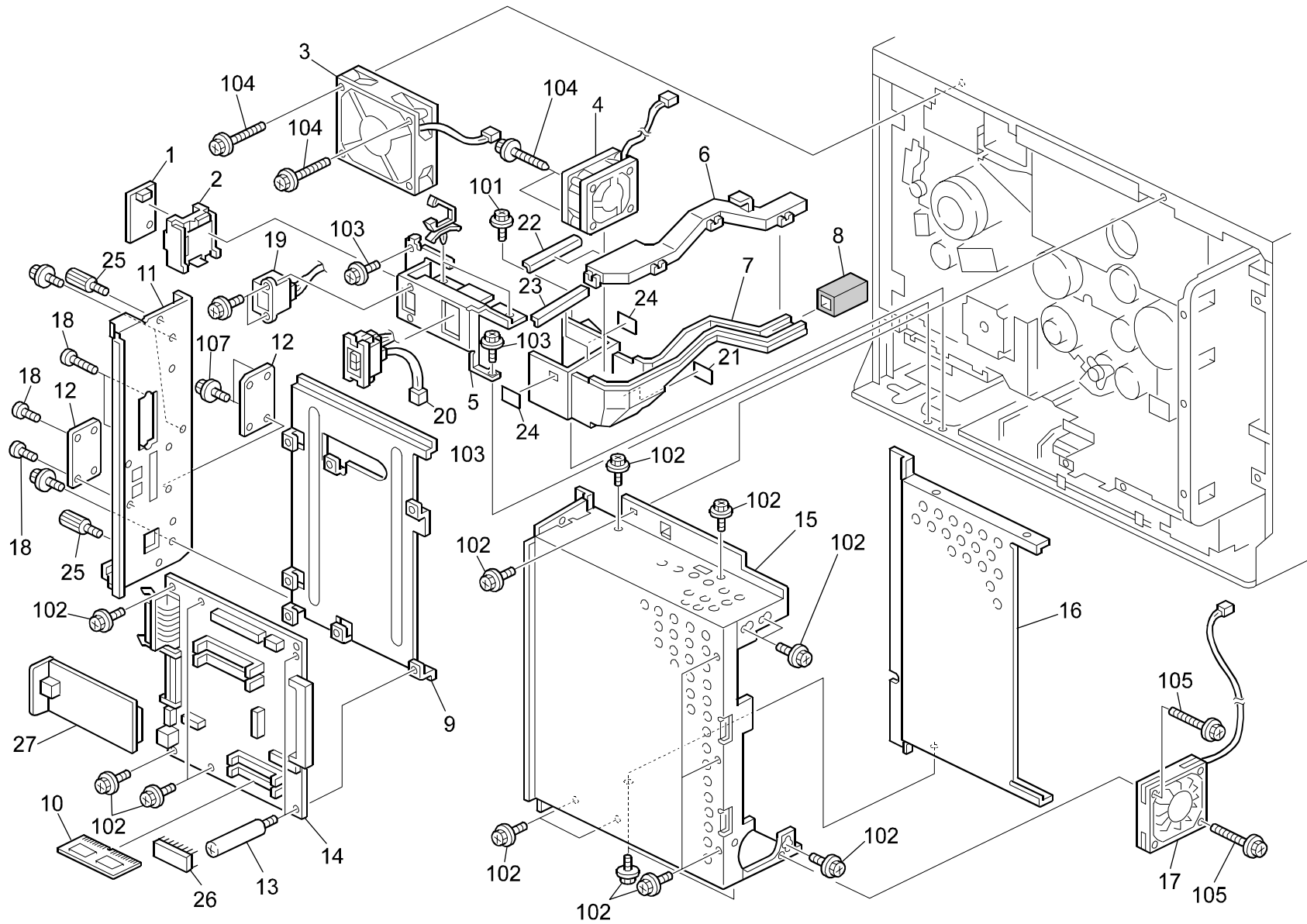


17.DRIVE SECTION 3 (G071)

| Index No. | Part No. | Description | Q'ty Per Assembly |
|-----------|-----------|--------------------------------|-------------------|
| 1 | G070 6223 | Transfer/separation Receptacle | 1 |
| 2 | AX20 0224 | Magnetic Clutch - 0.4nm 46Z | 2 |
| 3 | AA04 3567 | Timing Belt - 120TS2M | 1 |
| 4 | AB01 7561 | Gear - 33Z/30T | 1 |
| 5 | G070 4908 | Paper Feed Tightener | 1 |
| 6 | AA06 0869 | Tension Spring | 1 |
| 7 | AB01 7560 | Gear - 40Z/42Z | 1 |
| 8 | G070 1107 | Grip | 1 |
| 9 | G070 4907 | Feed Drive Shaft | 1 |
| 10 | AA08 2104 | Bushing - 8x12x7 | 2 |
| 11 | G070 4906 | Magnetic Clutch Bracket | 1 |
| 12 | G070 1108 | Right Grip | 1 |
| 13 | G070 1110 | Grip Bracket - Rear Light | 1 |
| 14 | G568 2702 | Stepper Motor - DC4.42W | 1 |
| 15 | AA16 1153 | Cushion - Stepper Motor | 1 |
| 16 | G070 4903 | Drive Bracket - Paper Feed | 1 |
| 17 | AB01 7563 | Gear - 58Z/37Z | 1 |
| 18 | AB01 7562 | Gear - 32Z/33T | 1 |
| 19 | AA04 3568 | Timing Belt - 480TS3M | 1 |
| 20 | G070 1109 | Grip Bracket - Left | 1 |
| 21 | G070 5351 | High Voltage Harness - T2 | 1 |

| Index No. | Part No. | Description | Q'ty Per Assembly |
|-----------|------------|----------------------------------|-------------------|
| 101 | 0451 3006B | Tapping Screw - M3x6 | |
| 102 | 0451 4006B | Tapping Screw - 4x6 | |
| 103 | 0451 4012B | Tapping Screw - 4x12 | |
| 104 | 0805 0088 | Retaining Ring - M6 | |
| 105 | 1105 0516 | Clamp | |
| 106 | 0802 5279 | Tapping Screw With Washer - M3x8 | |

18.ELECTRICAL SECTION 1 (G071)

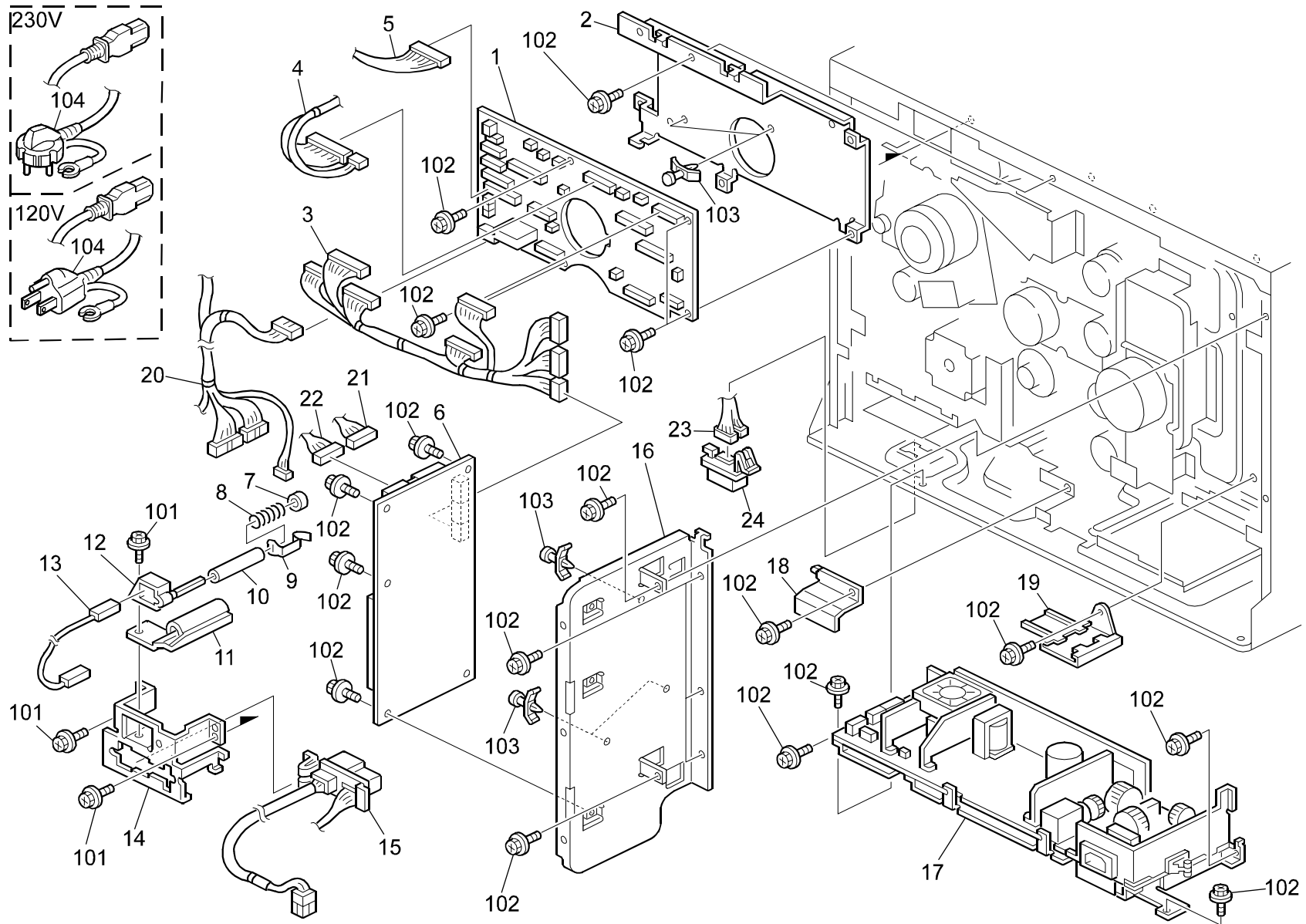


18.ELECTRICAL SECTION 1 (G071)

| Index No. | Part No. | Description | Q'ty Per Assembly |
|-----------|-----------|----------------------------------|-------------------|
| 1 | AW14 0010 | Temperature/Humidity Sensor | 1 |
| 2 | G070 5542 | Sensor Bracket | 1 |
| 3 | AX64 0103 | Fan Motor - DC2.4W | 1 |
| 4 | AX64 0134 | Fan Motor - 60x25mm | 1 |
| 5 | G070 5541 | Connector Bracket | 1 |
| 6 | G070 1085 | Upper Charge Duct | 1 |
| 7 | G070 1086 | Lower Charge Duct | 1 |
| 8 | G070 1083 | Duct Shield | 1 |
| 9 | G070 5523 | Application Middle Bracket | 1 |
| 10 | G070 5851 | ROM-DIMM PCB-PS/PCL | 1 |
| 11 | G070 5526 | Application Right Middle Bracket | 1 |
| 12 | G070 5527 | Card Cover | 2 |
| 13 | G070 5529 | Stud - M3x40x6 | 2 |
| 14 | G070 5844 | Print Control Board | 1 |
| 15 | G070 5486 | Application Rear Rack | 1 |
| 16 | G070 5469 | Front Rack | 1 |
| 17 | AX64 0133 | Fan Motor - 60x15mm | 1 |
| 18 | C218 3051 | Philips Screw - M3 | 8 |
| 19 | G070 5330 | By-pass Feed Unit Harness | 1 |
| 20 | G070 5337 | Gate Relay Harness | 1 |
| 21 | G070 1100 | Lower Duct Seal | 1 |
| 22 | G070 1101 | Upper Duct Seal - 90x10x4 | 1 |
| 23 | G070 1102 | Middle Duct Seal - 10x70x4 | 1 |
| 24 | G070 1103 | Latch Duct Seal - 12x20 | 2 |
| 25 | AA14 9731 | Knob Screw | 2 |
| 26 | G070 9099 | Total Counter | 1 |
| 27 | B525 5660 | USB Board | 1 |

| Index No. | Part No. | Description | Q'ty Per Assembly |
|-----------|------------|----------------------|-------------------|
| 101 | 0451 3008B | Tapping Screw - M3x8 | |
| 102 | 0451 3006B | Tapping Screw - M3x6 | |
| 103 | 0451 3008H | Tapping Screw - M3x8 | |
| 104 | 0451 3035B | Tapping Scre - 3x35 | |
| 105 | 0451 3020B | Tapping Screw - 3x20 | |
| 106 | 0451 3006H | Tapping Screw - 3x6 | |
| 107 | 0353 0060M | Tapping Screw M3x6 | |

19.ELECTRICAL SECTION 2 (G071)

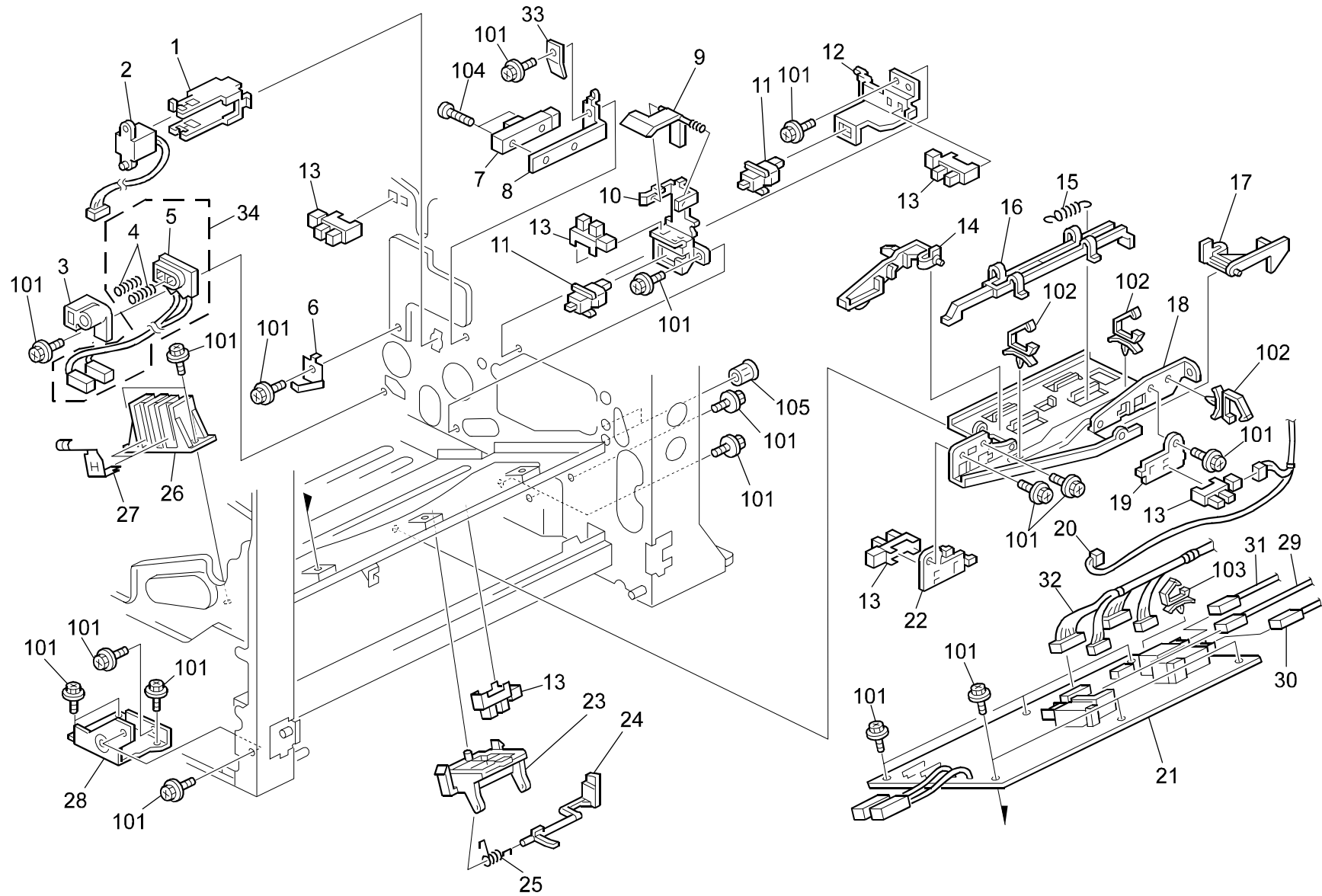


19.ELECTRICAL SECTION 2 (G071)

| Index No. | Part No. | Description | Q'ty Per Assembly |
|-----------|-----------|------------------------------------|-------------------|
| 1 | G070 5214 | I/O Board | 1 |
| 2 | G070 5531 | I/O Base Bracket | 1 |
| 3 | G070 5301 | Harness - Bcu-iob | 1 |
| 4 | G070 5305 | Toner End Sensor Harness | 1 |
| 5 | G070 5311 | Intermediate Transfer Harness | 1 |
| 6 | G070 5120 | BCU Board | 1 |
| 7 | G070 4320 | Spring Holder | 1 |
| 8 | AA06 3895 | Spring - Oil Supply Roller | 1 |
| 9 | G070 4317 | Spring Plate - Oil Supply Roller | 1 |
| 10 | G070 4316 | Terminal Cover - Oil Supply Roller | 1 |
| 11 | G070 4313 | Holder - Oil Supply roller | 1 |
| 12 | G070 4314 | Roller Terminal - Oil Supply | 1 |
| 13 | G070 5368 | High Voltage Harness | 1 |
| 14 | G070 4310 | Connector Bracket | 1 |
| 15 | G070 5323 | AC Harness - Fusing Unit (120V) | 1 |
| 15 | G070 5360 | AC Harness - Fusing Unit (230V) | 1 |
| 16 | G070 5516 | BCU Bracket | 1 |
| 17 | AZ23 0101 | Power Supply Unit - 120V | 1 |
| 17 | G070 5057 | Power Supply Unit - 230V | 1 |
| 18 | G070 5503 | Power Supply Unit Cover | 1 |
| 19 | G070 1981 | Flat Cable Cover | 1 |
| 20 | G070 5365 | DC Power Supply Harness | 1 |
| 21 | G070 5302 | Harness - Bcu-ppi | 1 |
| 22 | G070 5319 | Relay Harness - Operation Panel | 1 |
| 23 | G070 5341 | Bank Relay Harness | 1 |

| Index No. | Part No. | Description | Q'ty Per Assembly |
|-----------|------------|-----------------------------------|-------------------|
| 101 | 0451 3008B | Tapping Screw - M3x8 | |
| 102 | 0451 3006B | Tapping Screw - M3x6 | |
| 103 | 1105 0409 | Card Spacer- 6.4mm | |
| 104 | 1150 0366 | Power Supply Code - 125V 10A 2.5M | |
| 104 | 1150 0364 | Power Supply Code - 250V 10A 2.5M | |

20.ELECTRICAL SECTION 3 (G071)

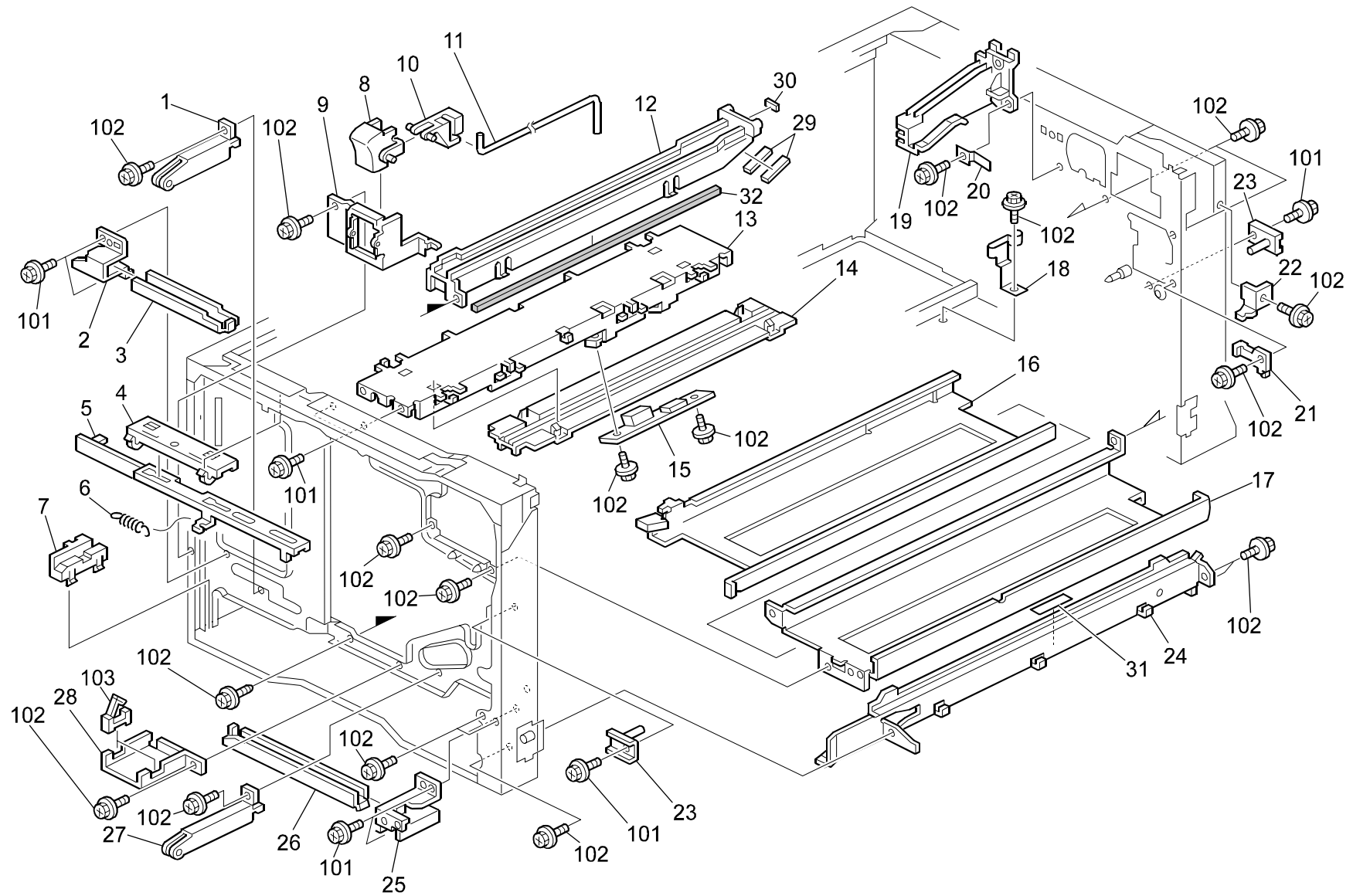


20.ELECTRICAL SECTION 3 (G071)

| Index No. | Part No. | Description | Q'ty Per Assembly |
|-----------|-----------|------------------------------------|-------------------|
| 1 | G070 2118 | Connector Holder | 1 |
| 2 | G070 5307 | Discharge Harness | 1 |
| 3 | G070 2126 | Terminal holder | 1 |
| 4 | G070 2138 | Charge Spring | 2 |
| 5 | G070 2124 | Charge Corona Terminal | 1 |
| 6 | G070 2336 | PCU Grounding Plate | 1 |
| 7 | AW01 0096 | Positioning Sensor - Transfer Belt | 1 |
| 8 | B051 6160 | Bracket - Positioning Sensor | 1 |
| 9 | G070 2096 | Feeler | 1 |
| 10 | G070 2107 | Waste Toner Bottle Bracket | 1 |
| 11 | AW50 0023 | Push Switch | 2 |
| 12 | G070 6407 | Bracket - Waste Toner Sensor | 1 |
| 13 | AW02 0120 | Photointerruptor - Flat | 6 |
| 14 | G070 2646 | Paper End Sensor Feeler | 1 |
| 15 | AA06 0866 | Lever Spring | 1 |
| 16 | G070 2645 | Release Lever | 1 |
| 17 | G070 2647 | Feeler - Paper Bolome Sensor | 1 |
| 18 | G070 2642 | Paper End Sensor Bracket | 1 |
| 19 | G070 2644 | Sensor Rear Bracket | 1 |
| 20 | G070 5309 | Paper Feed Harness | 1 |
| 21 | AZ32 0117 | Power Pack - BCTCLD C1B | 1 |
| 22 | G070 2643 | Sensor Front Bracket | 1 |
| 23 | G070 2637 | Feeler Holder - Vertical Transport | 1 |
| 24 | G070 2638 | Vertical Transport Feeler | 1 |
| 25 | AA06 6633 | Spring | 1 |
| 26 | G070 6166 | Terminal Holder | 1 |
| 27 | G070 6165 | Terminal | 1 |
| 28 | G070 1087 | Support Plate - Front Right | 1 |
| 29 | G070 5369 | High Voltage Harness -Dischage Pin | 1 |
| 30 | G070 5351 | High Boltage Harness - T2 | 1 |
| 31 | G070 5368 | High Voltage Harness | 1 |
| 32 | G070 5302 | Harness - BCU-PPI | 1 |
| 33 | G070 6161 | Positioning Sensor Plate | 1 |
| 34 | G070 2131 | Charge Corona Terminal Ass'y | 1 |

| Index No. | Part No. | Description | Q'ty Per Assembly |
|-----------|------------|--------------------------------|-------------------|
| 101 | 0451 3006B | Tapping Screw - M3x6 | |
| 102 | 1105 0511 | Harness Clamp - LWS-0306ZC | |
| 103 | 1105 0508 | Harness Clamp - LWS-0711 | |
| 104 | 0313 0100B | Philips Pan Head Screw - M3x10 | |
| 105 | 1106 0241 | Bushing - 6.7mm | |

21.FRAME SECTION (G071)



21.FRAME SECTION (G071)

| Index No. | Part No. | Description | Q'ty Per Assembly |
|-----------|-----------|---------------------------------|-------------------|
| 1 | G070 1075 | Left Cover Hinge | 1 |
| 2 | G070 1109 | Grip Bracket - Left | 1 |
| 3 | G070 1107 | Grip | 1 |
| 4 | G070 5571 | Left Bracket - Door Switch | 1 |
| 5 | G070 5569 | Left Link - Safety Switch | 1 |
| 6 | G070 5567 | Left Tension Spring | 1 |
| 7 | G070 2624 | Left Shoe | 1 |
| 8 | G070 5556 | Slide Switch Cover | 1 |
| 9 | G070 5558 | Switch Bracket - Power Source | 1 |
| 10 | G070 5559 | Small Link - Power Source | 1 |
| 11 | G070 5557 | Switch Link - Power Source | 1 |
| 12 | G070 2372 | PCU Lower Rail | 1 |
| 13 | G070 2370 | Upper Support Stay | 1 |
| 14 | G070 2371 | PCU Upper Rail | 1 |
| 15 | AW01 0097 | Density Sensor | 1 |
| 16 | G070 4302 | Fusing Unit Rail | 1 |
| 17 | G070 4300 | Fusing Unit Rail | 1 |
| 18 | G070 2135 | Charge Ground Plate | 1 |
| 19 | G070 6405 | On/Off Rail | 1 |
| 20 | G070 6406 | Grounding Plate - Belt Cleaning | 1 |
| 21 | G070 6227 | Grounding Plate Bracket | 1 |
| 22 | G070 4828 | Hook Bracket | 1 |
| 23 | G070 1180 | Right Cover Hook | 2 |
| 24 | G070 2620 | Right Rail | 1 |
| 25 | B051 1132 | Grip Bracket - Front Right | 1 |
| 26 | G070 1108 | Right Grip | 1 |
| 27 | G070 1074 | Cover Hinge | 1 |
| 28 | G070 2335 | Front Lower Guide | 1 |
| 29 | G070 1104 | PCU Rail Seal - 3x30x5 | 2 |
| 30 | G070 1105 | PCU Rail Seal - 9x19x5 | 1 |
| 31 | G070 2622 | Right Rail Shoe | 1 |
| 32 | G070 1092 | Lower Shield - PCU Rail | 1 |

| Index No. | Part No. | Description | Q'ty Per Assembly |
|-----------|------------|----------------------------------|-------------------|
| 101 | 0802 5276 | Tapping Screw With Washer - M3x6 | |
| 102 | 0451 3006B | Tapping Screw - M3x6 | |
| 103 | 1105 0522 | Edge Saddle - LES0510 | |

22.BCU BOARD (G071)

CAPACITOR

| SYMBOL NO. | INDEX NO. | SYMBOL NO. | INDEX NO. | SYMBOL NO. | INDEX NO. | SYMBOL NO. | INDEX NO. | SYMBOL NO. | INDEX NO. | SYMBOL NO. | INDEX NO. | SYMBOL NO. | INDEX NO. |
|------------|-----------|------------|-----------|------------|-----------|------------|-----------|------------|-----------|------------|-----------|------------|-----------|
| C101 | 191 | C111 | 191 | C121 | 151 | C131 | 189 | C141 | 189 | C151 | 189 | C161 | 189 |
| C102 | 151 | C112 | 184 | C122 | 191 | C132 | 191 | C142 | 189 | C152 | 189 | C162 | 189 |
| C103 | 151 | C113 | 184 | C123 | 189 | C133 | 191 | C143 | 191 | C153 | 189 | C163 | 189 |
| C104 | 191 | C114 | 191 | C124 | 188 | C134 | 189 | C144 | 191 | C154 | 189 | C164 | 189 |
| C105 | 183 | C115 | 191 | C125 | 191 | C135 | 191 | C145 | 191 | C155 | 189 | C165 | 189 |
| C106 | 183 | C116 | 153 | C126 | 154 | C136 | 187 | C146 | 191 | C156 | 189 | C166 | 189 |
| C107 | 183 | C117 | 152 | C127 | 191 | C137 | 189 | C147 | 189 | C157 | 189 | C167 | 189 |
| C108 | 183 | C118 | 191 | C128 | --- | C138 | 189 | C148 | 189 | C158 | 189 | C168 | 189 |
| C109 | 188 | C119 | 152 | C129 | 191 | C139 | 189 | C149 | 189 | C159 | 189 | --- | --- |
| C110 | 189 | C120 | 151 | C130 | 189 | C140 | 189 | C150 | 189 | C160 | 189 | --- | --- |

CAPACITOR

| SYMBOL NO. | INDEX NO. | SYMBOL NO. | INDEX NO. | SYMBOL NO. | INDEX NO. | SYMBOL NO. | INDEX NO. | SYMBOL NO. | INDEX NO. | SYMBOL NO. | INDEX NO. | SYMBOL NO. | INDEX NO. |
|------------|-----------|------------|-----------|------------|-----------|------------|-----------|------------|-----------|------------|-----------|------------|-----------|
| C201 | 191 | C211 | 183 | C221 | 183 | C231 | 191 | C241 | 187 | C251 | 188 | C261 | --- |
| C202 | 191 | C212 | 183 | C222 | 183 | C232 | 191 | C242 | 191 | C252 | 186 | C262 | 189 |
| C203 | 188 | C213 | 183 | C223 | 183 | C233 | 189 | C243 | --- | C253 | 187 | C263 | 183 |
| C204 | 183 | C214 | 183 | C224 | 183 | C234 | 191 | C244 | 187 | C254 | 189 | C264 | 191 |
| C205 | 183 | C215 | 183 | C225 | --- | C235 | 191 | C245 | 188 | C255 | 187 | C265 | 189 |
| C206 | 190 | C216 | 183 | C226 | 187 | C236 | 189 | C246 | --- | C256 | 188 | C266 | 183 |
| C207 | 183 | C217 | 183 | C227 | 183 | C237 | 189 | C247 | 189 | C257 | 189 | C267 | 187 |
| C208 | --- | C218 | 183 | C228 | 191 | C238 | 191 | C248 | 188 | C258 | 187 | C268 | 191 |
| C209 | 183 | C219 | 183 | C229 | 191 | C239 | 191 | C249 | 189 | C259 | 191 | C269 | 191 |
| C210 | 183 | C220 | 183 | C230 | 191 | C240 | 191 | C250 | 186 | C260 | 187 | C270 | 189 |

22.BCU BOARD (G071)

CAPACITOR

| SYMBOL NO. | INDEX NO. |
|------------|-----------|
| C271 | 187 |
| C272 | 191 |
| C273 | 191 |
| C274 | 189 |
| C275 | 187 |
| C276 | 191 |
| C277 | 191 |
| C278 | 191 |
| C279 | 189 |
| C280 | 191 |

| SYMBOL NO. | INDEX NO. |
|------------|-----------|
| C281 | 189 |
| C282 | 191 |
| C283 | 189 |
| C284 | 187 |
| C285 | 191 |
| C286 | 191 |
| C287 | 189 |
| C288 | 189 |
| C289 | 191 |
| C290 | 189 |

| SYMBOL NO. | INDEX NO. |
|------------|-----------|
| C291 | 189 |
| C292 | 189 |
| C293 | 189 |
| C294 | 189 |
| C295 | 189 |
| C296 | 189 |
| C297 | 191 |
| C298 | 191 |
| C299 | 187 |
| C300 | 189 |

| SYMBOL NO. | INDEX NO. |
|------------|-----------|
| C301 | 191 |
| C302 | 187 |
| C303 | 191 |
| C304 | 185 |
| C305 | 189 |
| C306 | 189 |
| C307 | 185 |
| C308 | 189 |
| C309 | 189 |
| C310 | 189 |

| SYMBOL NO. | INDEX NO. |
|------------|-----------|
| C311 | 189 |
| C312 | 188 |
| C313 | 189 |
| C314 | 188 |
| C315 | 189 |
| C316 | 189 |
| C317 | 189 |
| C318 | 189 |
| C319 | 189 |
| C320 | 189 |

| SYMBOL NO. | INDEX NO. |
|------------|-----------|
| C321 | 189 |
| C322 | 189 |
| C323 | 189 |
| C324 | 189 |
| C325 | 189 |
| C326 | 191 |
| C327 | 189 |
| C328 | 189 |
| C329 | 189 |
| C330 | 189 |

CONNECTOR

| SYMBOL NO. | INDEX NO. |
|------------|-----------|
| CN201 | 102 |
| CN203 | 109 |
| CN207 | 106 |
| CN208 | 108 |
| CN211 | 113 |
| CN212 | 114 |
| CN213 | 112 |
| CN221 | 116 |
| CN222 | 104 |
| CN223 | 103 |

CONNECTOR

| SYMBOL NO. | INDEX NO. |
|------------|-----------|
| CN224 | 110 |
| CN231 | 115 |
| CN281 | 105 |
| CN282 | 101 |
| CN283 | 107 |
| CN290 | 111 |

DIODE

| SYMBOL NO. | INDEX NO. |
|------------|-----------|
| D101 | 123 |
| D102 | 123 |
| D103 | 123 |

DA

| SYMBOL NO. | INDEX NO. |
|------------|-----------|
| DA101 | 125 |
| DA102 | 125 |
| DA103 | 125 |
| DA104 | 125 |
| DA105 | 125 |
| DA106 | 125 |
| DA107 | 125 |
| DA108 | 125 |
| DA109 | 125 |
| DA110 | 125 |

FILTER

| SYMBOL NO. | INDEX NO. |
|------------|-----------|
| FIL101 | 156 |
| FIL102 | 157 |
| FIL103 | 155 |

IC

| SYMBOL NO. | INDEX NO. |
|------------|-----------|
| IC101 | 141 |
| IC102 | 132 |
| IC103 | 2 |
| IC104 | 117 |
| IC105 | 139 |
| IC106 | 136 |
| IC107 | 192 |
| IC108 | 192 |
| IC110 | 137 |
| IC111 | 131 |

| SYMBOL NO. | INDEX NO. |
|------------|-----------|
| IC112 | 135 |
| IC113 | 1 |
| IC114 | 138 |
| IC115 | 129 |
| IC117 | 129 |
| IC201 | 133 |
| IC202 | 129 |
| IC203 | 130 |
| IC204 | 129 |
| IC205 | 128 |

| SYMBOL NO. | INDEX NO. |
|------------|-----------|
| IC206 | 134 |
| IC207 | 129 |
| IC208 | 129 |
| IC209 | 129 |

22.BCU BOARD (G071)

JP

| SYMBOL NO. | INDEX NO. |
|------------|-----------|
| JP101 | 174 |
| JP102 | 174 |
| JP103 | 174 |
| JP104 | 174 |
| JP105 | 174 |
| JP106 | 174 |
| JP107 | 174 |
| JP108 | 174 |
| JP109 | 174 |
| JP110 | 174 |

| SYMBOL NO. | INDEX NO. |
|------------|-----------|
| JP111 | 174 |
| JP112 | 174 |
| JP113 | 174 |
| JP114 | 174 |
| JP115 | 174 |
| JP116 | 174 |
| JP118 | 174 |
| JP119 | 174 |
| JP120 | 174 |
| JP121 | 174 |

| SYMBOL NO. | INDEX NO. |
|------------|-----------|
| JP122 | 174 |

LED

| SYMBOL NO. | INDEX NO. |
|------------|-----------|
| LED101 | 126 |
| LED102 | 127 |

OSC

| SYMBOL NO. | INDEX NO. |
|------------|-----------|
| OSC101 | 143 |
| OSC102 | 145 |
| OSC103 | 144 |

Q

| SYMBOL NO. | INDEX NO. |
|------------|-----------|
| Q101 | 122 |
| Q102 | 122 |
| Q103 | 121 |
| Q104 | 122 |
| Q105 | 122 |
| Q201 | 120 |

RESISTOR

| SYMBOL NO. | INDEX NO. |
|------------|-----------|
| R101 | 159 |
| R102 | 167 |
| R103 | 167 |
| R104 | 171 |
| R105 | 167 |
| R106 | 167 |
| R107 | 167 |
| R108 | 160 |
| R109 | 160 |
| R110 | 167 |

RESISTOR

| SYMBOL NO. | INDEX NO. |
|------------|-----------|
| R111 | 167 |
| R112 | 160 |
| R113 | 160 |
| R114 | 168 |
| R115 | 168 |
| R116 | 161 |
| R117 | 167 |
| R118 | 170 |
| R119 | 162 |
| R120 | 162 |

| SYMBOL NO. | INDEX NO. |
|------------|-----------|
| R121 | 158 |
| R122 | --- |
| R123 | 162 |
| R124 | 172 |
| R125 | 172 |
| R126 | 164 |
| R127 | 160 |
| R128 | 161 |
| R129 | 161 |
| R130 | 162 |

| SYMBOL NO. | INDEX NO. |
|------------|-----------|
| R131 | 164 |
| R132 | 160 |
| R133 | 161 |
| R134 | 161 |
| R135 | 162 |
| R136 | 162 |
| R137 | 178 |
| R138 | 172 |
| R139 | 178 |
| R140 | 162 |

| SYMBOL NO. | INDEX NO. |
|------------|-----------|
| R141 | 161 |
| R142 | 170 |
| R143 | 160 |
| R144 | 162 |
| R145 | 170 |
| R146 | 167 |
| R147 | 170 |
| R148 | 161 |
| R149 | 170 |
| R150 | 161 |

| SYMBOL NO. | INDEX NO. |
|------------|-----------|
| R151 | 162 |
| R152 | 161 |
| R153 | 162 |
| R154 | 160 |
| R155 | 162 |
| R156 | 161 |
| R157 | 161 |
| R158 | 162 |
| R159 | 161 |
| R160 | 161 |

| SYMBOL NO. | INDEX NO. |
|------------|-----------|
| R161 | 162 |
| R162 | 162 |
| R163 | 162 |
| R164 | 163 |
| R165 | 165 |
| R166 | 182 |
| R167 | 170 |
| R168 | 162 |
| R169 | 161 |
| R170 | 161 |

| SYMBOL NO. | INDEX NO. |
|------------|-----------|
| R171 | 161 |
| R172 | 161 |
| R173 | 161 |
| R174 | 161 |
| R175 | 161 |
| R176 | 170 |
| R177 | 161 |
| R178 | 170 |
| R179 | 161 |
| R180 | 161 |

22.BCU BOARD (G071)

RESISTOR

| SYMBOL NO. | INDEX NO. | SYMBOL NO. | INDEX NO. | SYMBOL NO. | INDEX NO. | SYMBOL NO. | INDEX NO. | SYMBOL NO. | INDEX NO. | SYMBOL NO. | INDEX NO. | SYMBOL NO. | INDEX NO. |
|------------|-----------|------------|-----------|------------|-----------|------------|-----------|------------|-----------|------------|-----------|------------|-----------|
| R181 | 161 | R201 | 160 | R211 | 167 | R221 | 165 | R231 | 162 | R241 | 172 | R251 | 161 |
| R182 | 162 | R202 | 171 | R212 | 160 | R222 | 171 | R232 | 177 | R242 | 162 | R252 | 162 |
| R183 | 162 | R203 | --- | R213 | 172 | R223 | --- | R233 | 161 | R243 | 160 | R253 | 167 |
| R184 | 161 | R204 | 171 | R214 | 167 | R224 | 160 | R234 | 165 | R244 | 162 | R254 | 167 |
| R185 | 161 | R205 | 161 | R215 | 167 | R225 | 165 | R235 | 172 | R245 | 161 | R255 | 162 |
| R186 | 161 | R206 | 167 | R216 | 170 | R226 | 176 | R236 | 162 | R246 | 160 | R256 | 161 |
| R187 | 161 | R207 | 161 | R217 | 171 | R227 | 167 | R237 | 161 | R247 | 176 | R257 | 181 |
| R188 | 165 | R208 | 160 | R218 | 164 | R228 | 177 | R238 | 161 | R248 | 161 | R258 | 172 |
| --- | --- | R209 | 160 | R219 | 160 | R229 | 161 | R239 | 162 | R249 | 160 | R259 | 170 |
| --- | --- | R210 | 170 | R220 | 164 | R230 | 165 | R240 | 165 | R250 | 165 | R260 | 161 |

RESISTOR

| SYMBOL NO. | INDEX NO. | SYMBOL NO. | INDEX NO. | SYMBOL NO. | INDEX NO. | SYMBOL NO. | INDEX NO. | SYMBOL NO. | INDEX NO. | SYMBOL NO. | INDEX NO. | SYMBOL NO. | INDEX NO. |
|------------|-----------|------------|-----------|------------|-----------|------------|-----------|------------|-----------|------------|-----------|------------|-----------|
| R261 | 160 | R271 | 161 | R281 | 161 | R291 | 162 | R301 | 160 | R311 | 160 | R321 | 162 |
| R262 | 167 | R272 | 161 | R282 | 161 | R292 | 160 | R302 | 164 | R312 | 170 | R322 | 162 |
| R263 | 161 | R273 | 172 | R283 | 160 | R293 | 162 | R303 | 162 | R313 | 170 | R323 | 162 |
| R264 | 166 | R274 | 162 | R284 | 162 | R294 | 160 | R304 | 161 | R314 | 170 | R324 | 162 |
| R265 | 161 | R275 | 161 | R285 | 164 | R295 | 160 | R305 | 160 | R315 | 162 | R325 | 175 |
| R266 | 161 | R276 | 162 | R286 | 160 | R296 | 160 | R306 | 160 | R316 | 170 | R326 | 175 |
| R267 | 161 | R277 | 160 | R287 | 162 | R297 | 162 | R307 | 160 | R317 | 170 | R327 | 179 |
| R268 | 161 | R278 | 161 | R288 | 162 | R298 | 161 | R308 | 160 | R318 | 170 | R328 | 193 |
| R269 | 165 | R279 | 162 | R289 | 162 | R299 | 162 | R309 | 160 | R319 | 170 | R329 | 170 |
| R270 | 161 | R280 | 160 | R290 | 160 | R300 | 160 | R310 | 170 | R320 | 162 | R330 | 170 |

22.BCU BOARD (G071)

RESISTOR

| SYMBOL NO. | INDEX NO. |
|------------|-----------|
| R331 | 161 |
| R332 | 161 |
| R333 | 170 |
| R334 | 161 |
| R335 | 170 |
| R336 | 170 |
| R337 | 161 |
| R338 | 165 |
| R339 | 162 |
| R340 | 160 |

| SYMBOL NO. | INDEX NO. |
|------------|-----------|
| R341 | 170 |
| R342 | 161 |
| R343 | 162 |
| R344 | 165 |
| R345 | 162 |
| R346 | 162 |
| R347 | 165 |
| R348 | 169 |
| R349 | 161 |
| R350 | 162 |

| SYMBOL NO. | INDEX NO. |
|------------|-----------|
| R351 | 161 |
| R352 | 162 |
| R353 | 161 |
| R354 | 162 |
| R355 | 161 |
| R356 | 162 |
| R357 | 162 |
| R358 | 171 |
| R359 | 167 |

REG

| SYMBOL NO. | INDEX NO. |
|------------|-----------|
| REG101 | 142 |
| REG102 | 140 |

RN

| SYMBOL NO. | INDEX NO. |
|------------|-----------|
| RN101 | 150 |
| RN102 | 150 |
| RN103 | 150 |
| RN104 | 150 |
| RN105 | 149 |
| RN106 | 147 |
| RN107 | 149 |
| RN108 | 147 |
| RN109 | 149 |
| RN110 | 147 |

| SYMBOL NO. | INDEX NO. |
|------------|-----------|
| RN111 | 149 |
| RN112 | 147 |
| RN113 | 149 |
| RN114 | 147 |
| RN115 | 149 |
| RN116 | 147 |
| RN117 | 149 |
| RN118 | 147 |
| RN119 | 149 |
| RN120 | 147 |

| SYMBOL NO. | INDEX NO. |
|------------|-----------|
| RN121 | 149 |
| RN122 | 147 |
| RN123 | 149 |
| RN124 | 147 |
| RN125 | 149 |
| RN126 | 147 |
| RN127 | 146 |
| RN128 | 149 |
| RN129 | 146 |
| RN130 | 149 |

RN

| SYMBOL NO. | INDEX NO. |
|------------|-----------|
| RN131 | 146 |
| RN132 | 149 |
| RN133 | 146 |
| RN134 | 149 |
| RN135 | 149 |
| RN136 | 149 |
| RN137 | 149 |
| RN138 | 149 |
| RN139 | 149 |
| RN140 | 148 |

| SYMBOL NO. | INDEX NO. |
|------------|-----------|
| RN141 | 148 |
| RN142 | 146 |
| RN143 | 146 |
| RN144 | 148 |
| RN145 | 148 |
| RN146 | 146 |
| RN147 | 146 |
| RN148 | 148 |
| RN149 | 146 |
| RN150 | 148 |

| SYMBOL NO. | INDEX NO. |
|------------|-----------|
| RN151 | 148 |
| RN152 | 146 |
| RN153 | 148 |
| RN154 | 146 |
| RN155 | 148 |
| RN156 | 146 |
| RN157 | 146 |
| RN158 | 146 |
| RN159 | 146 |
| RN160 | 146 |

| SYMBOL NO. | INDEX NO. |
|------------|-----------|
| RN161 | 148 |
| RN162 | 146 |
| RN163 | 148 |
| RN164 | 146 |
| RN165 | 148 |
| RN166 | 146 |
| RN167 | 148 |
| RN168 | 146 |
| RN169 | 148 |

SWITCH

| SYMBOL NO. | INDEX NO. |
|------------|-----------|
| SW101 | 119 |
| SW102 | 118 |

ZD

| SYMBOL NO. | INDEX NO. |
|------------|-----------|
| ZD201 | 124 |
| ZD202 | 124 |


22.BCU BOARD (G071)



| Index No. | Part No. | Description | Q'ty Per Assembly |
|-----------|-----------|-------------------|-------------------|
| * | G070 5120 | BCU Board | 1 |
| 1 | A232 5355 | IC - GATEX | 1 |
| 2 | G070 5171 | IC - GAPC-RF5C605 | 1 |

| Index No. | Part No. | Description | Q'ty Per Assembly |
|-----------|-----------|-----------------------------------|-------------------|
| 101 | 1102 4203 | CT Header - 4P | |
| 102 | 1102 5305 | Connector - 6P | |
| 103 | 1102 6310 | Connector - 3P | |
| 104 | 1102 7389 | Connector - FH12-50S-0.5SV | |
| 105 | 1102 7460 | Connector - FH12-50S-0.5SH | |
| 106 | 1102 7836 | Connector - B4B | |
| 107 | 1102 8468 | Connector - 55447-041 | |
| 108 | 1102 8469 | Connector - 55447-0510 | |
| 109 | 1102 8473 | Connector - 55447-0910 | |
| 110 | 1102 8476 | Connector - 55447-1210 | |
| 111 | 1102 8486 | Connector - 55451-2410 | |
| 112 | 1102 8487 | Connector - 55451-2610 | |
| 113 | 1102 8488 | Connector - 5451-2810 | |
| 114 | 1102 8489 | Connector - 55451-3010 | |
| 115 | 1102 8494 | Connector - 55451-4010 | |
| 116 | 1102 8723 | Connector - TX24-120R-6ST-H1 | |
| 117 | 1104 0764 | IC Socket - 8 PIN | |
| 118 | 1204 2306 | Dip Switch - CHS-04B | |
| 119 | 1204 2553 | Tact Switch - KSRBAAE010 | |
| 120 | 1400 0556 | Transistor - DTB143EK | |
| 121 | 1400 0808 | Transistor - 2SC2412S | |
| 122 | 1400 0919 | Transistor - DTCL43XUA | |
| 123 | 1402 1336 | Diode - 1SS355 | |
| 124 | 1402 1380 | Diode - PTZ 6.2A | |
| 125 | 1402 1584 | Diode - DAN217U | |
| 126 | 1403 0996 | LED - SML-310VT | |
| 127 | 1403 1033 | LED - SML-310YT | |
| 128 | 1407 1600 | TTLIC - SN74LS244NS | |
| 129 | 1407 2187 | TTLIC - SN74LS07NS | |
| 130 | 1407 4404 | CMOS - 74VHC157 SOP | |
| 131 | 1407 5078 | Flash Memory - MBM29F800BA-70pFTH | |
| 132 | 1407 5353 | IC - SN74LV244APW | |
| 133 | 1407 5388 | IC - SN74LV08ANS | |
| 134 | 1407 5414 | IC - SN74LV14ANS | |
| 135 | 1407 5415 | IC - SN74LV32ANS | |

| Index No. | Part No. | Description | Q'ty Per Assembly |
|-----------|-----------|--|-------------------|
| 136 | 1407 5457 | Clock Generator - W180-51G | |
| 137 | 1407 5538 | IC - D6432633WG00F | |
| 138 | 1408 0810 | IC - BA10358F | |
| 139 | 1408 1223 | Ditector - RN5VD42C | |
| 140 | 1408 1295 | IC - UPC2933T | |
| 141 | 1408 1388 | Detector - RN5VD28C | |
| 142 | 1408 1448 | Regulator - PQ3DZ13 | |
| 143 | 1503 0903 | Crystal Oscillator- 12.5mhz | |
| 144 | 1503 0946 | Crystal Oscillator - 9.8304mhz | |
| 145 | 1503 1058 | Crystal Oscilator-20mhz7.0pF 50ppm | |
| 146 | 1601 7752 | Resistor Array - 10K Ω \pm 5% | |
| 147 | 1601 7759 | Resistor Array - 100K Ω \pm 5% 0.06 | |
| 148 | 1601 7791 | Resistor Array - 1K Ω \pm 5% | |
| 149 | 1601 7867 | Resistor - 33 Ω \pm 5% 1/16W | |
| 150 | 1601 7871 | Resistor - 68 Ω \pm 5% 1/16W | |
| 151 | 1604 4675 | CAPACITOR 47 μ F \pm 20% 10V | |
| 152 | 1604 4733 | CAPACITOR - 100 μ F \pm 20% 10V | |
| 153 | 1604 4824 | Capacitor- 47 μ F \pm 20% 50v | |
| 154 | 1605 1181 | Capacitor - 10 μ F+80-20% 10V | |
| 155 | 1607 1014 | EMI Filter - BLM11P600SPB | |
| 156 | 1607 1106 | IC - LC0805L473M | |
| 157 | 1607 1318 | IC - 08051223M | |
| 158 | 1630 1470 | Resistor - 47 Ω \pm 5% 1/4W | |
| 159 | 1630 4100 | Resistor - 10 Ω \pm 5% 1/16W | |
| 160 | 1630 4101 | Resistor - 100 Ω \pm 5% 1/16W | |
| 161 | 1630 4102 | Resistor - 1.0K Ω \pm 5% 1/16W | |
| 162 | 1630 4103 | Resistor - 10K Ω \pm 5% 1/16W | |
| 163 | 1630 4105 | Resistor - 1.0M Ω \pm 5% 1/16W | |
| 164 | 1630 4182 | Resistor - 1.8K Ω \pm 5.00% 1/16W | |
| 165 | 1630 4201 | Resistor - 200 Ω \pm 5% 1/16W | |
| 166 | 1630 4302 | Resistor - 3.0k Ω - \pm 5% - 1/16W | |
| 167 | 1630 4330 | Resistor - 33 Ω \pm 5% 1/8W | |
| 168 | 1630 4391 | Resistor - 390 Ω \pm 5.00% 1/16W | |
| 169 | 1630 4393 | Resistor - 39k Ω - \pm 5% - 1/16W | |
| 170 | 1630 4472 | Resistor - 4.7K Ω \pm 5% 1/16W | |

| Index No. | Part No. | Description | Q'ty Per Assembly |
|-----------|-----------|---|-------------------|
| 171 | 1630 4510 | Resistor - 51 Ω \pm 5% 1/16W | |
| 172 | 1630 4680 | Resistor - 68 Ω \pm 5% 1/16W | |
| 173 | 1630 4823 | Resistor - 82K Ω \pm 5% 1/16W | |
| 174 | 1634 0000 | Resistor - 0 Ω 1/16W | |
| 175 | 1634 1001 | Resistor - 1K Ω \pm 5% 1/16W | |
| 176 | 1634 1003 | Resistor - 100K Ω \pm 1% 1/16W | |
| 177 | 1634 4702 | Resistor - 47.0k Ω - \pm 1% - 1/16W | |
| 178 | 1634 5231 | Resistor - 5.23K Ω \pm 1% 1/16W | |
| 179 | 1634 6040 | Resistor - 604 Ω \pm 1% 1/16W | |
| 180 | 1654 1431 | Resistor - 820 Ω \pm 1% 1/16W | |
| 181 | 1650 4121 | RESISTOR - 120 Ω \pm 5%1/10W | |
| 182 | 1650 4331 | RESISTOR - 330 Ω \pm 5%1/10W | |
| 183 | 1660 0100 | Capacitor - 10PF \pm 0.5pF 50V | |
| 184 | 1660 2101 | Capacitor - 100pF - \pm 10% - 50V | |
| 185 | 1660 2220 | Capacitor - 22pF \pm 20% 35V | |
| 186 | 1660 2270 | CAPACITOR - 27pF \pm 20% 35V | |
| 187 | 1660 2471 | Capacitor - 470pF - \pm 5% - 50V | |
| 188 | 1660 4102 | Capacitor - 1000pF \pm 10% 50V | |
| 189 | 1660 6103 | Capacitor - 10000pF - +80%-20%50V | |
| 190 | 1660 6473 | Capacitor - 47000pF +80,-20% 50V | |
| 191 | 1660 8104 | Capacitor - 0.1 μ F+80-20% 25V | |
| 192 | 1902 0042 | RAM - 1M X8 70ns TSOP G2 | |
| | |  | |

23.IOB BORAD (G071)

CAPACITOR

| SYMBOL NO. | INDEX NO. |
|------------|-----------|
| C1 | 145 |
| C2 | 145 |
| C3 | 145 |
| C4 | 144 |
| C5 | 148 |
| C6 | 147 |
| C7 | 142 |
| C8 | 147 |
| C9 | 142 |
| C10 | 147 |

| SYMBOL NO. | INDEX NO. |
|------------|-----------|
| C11 | 143 |
| C12 | 147 |
| C13 | 142 |
| C14 | 147 |
| C15 | 142 |
| C16 | 146 |
| C17 | 146 |
| C18 | 146 |
| C19 | 146 |
| C20 | 147 |

| SYMBOL NO. | INDEX NO. |
|------------|-----------|
| C21 | 147 |
| C22 | 147 |

CONNECTOR

| SYMBOL NO. | INDEX NO. |
|------------|-----------|
| CN301 | 115 |
| CN302 | 114 |
| CN303 | 113 |
| CN304 | 113 |
| CN305 | 112 |
| CN306 | 112 |
| CN307 | 120 |
| CN308 | 119 |
| CN309 | 104 |
| CN310 | 108 |

| SYMBOL NO. | INDEX NO. |
|------------|-----------|
| CN311 | 111 |
| CN312 | 103 |
| CN313 | 117 |
| CN314 | 105 |
| CN315 | 116 |
| --- | --- |
| CN317 | 109 |
| CN318 | 110 |
| CN319 | 101 |
| CN320 | 117 |

| SYMBOL NO. | INDEX NO. |
|------------|-----------|
| CN321 | 106 |
| CN322 | 107 |
| --- | --- |
| CN324 | 114 |
| CN325 | 118 |
| CN326 | 105 |
| CN327 | 119 |
| CN328 | 105 |
| CN329 | 111 |
| CN330 | 109 |

| SYMBOL NO. | INDEX NO. |
|------------|-----------|
| CN331 | 102 |
| CN332 | 101 |
| CN333 | 101 |
| CN334 | 101 |
| CN335 | 101 |

DIODE

| SYMBOL NO. | INDEX NO. |
|------------|-----------|
| D1 | 122 |
| D2 | 122 |
| D3 | 122 |
| D4 | 122 |
| D5 | 122 |
| D6 | 122 |
| D7 | 122 |
| D8 | 122 |

IC

| SYMBOL NO. | INDEX NO. |
|------------|-----------|
| IC1 | 125 |
| IC2 | 125 |
| IC3 | 127 |
| IC4 | 128 |

JP

| SYMBOL NO. | INDEX NO. |
|------------|-----------|
| JP1 | 149 |
| JP2 | 139 |
| JP3 | 149 |
| JP4 | 149 |
| JP5 | 149 |
| JP6 | 149 |
| JP7 | 149 |
| JP8 | 149 |
| JP9 | 149 |
| JP10 | 149 |

| SYMBOL NO. | INDEX NO. |
|------------|-----------|
| JP11 | 149 |
| JP12 | 149 |
| JP13 | 149 |
| JP14 | 149 |
| JP15 | 149 |
| JP16 | 149 |
| JP17 | 149 |
| JP18 | 149 |
| JP19 | 149 |
| JP20 | 149 |

| SYMBOL NO. | INDEX NO. |
|------------|-----------|
| JP21 | 149 |
| JP22 | 149 |
| JP23 | 149 |
| JP24 | 149 |
| JP25 | 149 |
| JP26 | 149 |
| JP27 | 149 |
| JP28 | 149 |
| JP29 | 149 |
| JP30 | 149 |

| SYMBOL NO. | INDEX NO. |
|------------|-----------|
| JP31 | 149 |
| JP32 | 149 |
| JP33 | 149 |
| JP34 | 149 |
| JP35 | 149 |
| JP36 | 149 |
| JP37 | 149 |
| JP38 | 149 |
| JP39 | 149 |
| --- | --- |

| SYMBOL NO. | INDEX NO. |
|------------|-----------|
| JP41 | 149 |
| JP42 | 149 |
| JP43 | 149 |
| JP44 | 149 |
| JP45 | 149 |
| JP46 | 149 |
| JP47 | 149 |
| JP48 | 149 |
| JP49 | 149 |
| JP50 | 149 |

23.IOB BORAD (G071)

JP

| SYMBOL NO. | INDEX NO. |
|------------|-----------|
| JP51 | 149 |
| JP52 | 149 |
| JP53 | 149 |
| JP54 | 149 |
| JP55 | 149 |
| | |
| JP56 | 149 |
| JP57 | 149 |
| JP58 | 149 |
| JP59 | 149 |
| JP60 | 149 |

| SYMBOL NO. | INDEX NO. |
|------------|-----------|
| JP61 | 149 |
| JP62 | 149 |
| JP63 | 149 |
| JP64 | 149 |
| JP65 | 149 |
| | |
| JP66 | 149 |
| JP67 | 149 |
| JP68 | 149 |
| JP69 | 149 |
| JP70 | 149 |

| SYMBOL NO. | INDEX NO. |
|------------|-----------|
| JP71 | 149 |
| JP72 | 149 |
| JP73 | 149 |
| JP74 | 149 |
| JP75 | 149 |
| | |
| JP76 | 149 |
| JP77 | 149 |
| JP78 | 149 |
| JP79 | 149 |
| JP80 | 149 |

| SYMBOL NO. | INDEX NO. |
|------------|-----------|
| JP81 | 149 |
| JP82 | 149 |
| JP83 | 149 |
| JP84 | 149 |
| JP85 | 149 |
| | |
| JP86 | 149 |
| JP87 | 149 |
| JP88 | 149 |
| JP89 | 149 |
| JP90 | 149 |

| SYMBOL NO. | INDEX NO. |
|------------|-----------|
| JP91 | 149 |
| JP92 | 149 |
| JP93 | 149 |
| JP94 | 149 |
| JP95 | 149 |
| | |
| JP96 | 149 |
| JP97 | 149 |
| JP98 | 149 |
| JP99 | 149 |
| JP100 | 149 |

| SYMBOL NO. | INDEX NO. |
|------------|-----------|
| JP101 | 149 |
| JP102 | 149 |
| JP103 | 149 |
| JP104 | 149 |
| JP105 | 149 |
| | |
| JP106 | 149 |
| JP107 | 149 |
| JP108 | 149 |
| JP109 | 149 |

Q

| SYMBOL NO. | INDEX NO. |
|------------|-----------|
| Q1 | 124 |
| Q2 | 124 |
| Q3 | 126 |
| Q4 | 124 |
| Q5 | 126 |
| | |
| Q6 | 121 |

RESISTOR

| SYMBOL NO. | INDEX NO. |
|------------|-----------|
| R1 | 130 |
| R2 | 130 |
| R3 | 130 |
| R4 | 130 |
| R5 | 130 |
| | |
| R6 | 130 |
| R7 | 130 |
| R8 | 134 |
| R9 | 134 |
| R10 | 134 |

| SYMBOL NO. | INDEX NO. |
|------------|-----------|
| R11 | 134 |
| R12 | 134 |
| R13 | 134 |
| R14 | 134 |
| R15 | 134 |
| | |
| R16 | 134 |
| R17 | 134 |
| R18 | 130 |
| R19 | 130 |
| R20 | 130 |

| SYMBOL NO. | INDEX NO. |
|------------|-----------|
| R21 | 130 |
| R22 | 137 |
| R23 | 137 |
| R24 | 130 |
| R25 | 130 |
| | |
| R26 | 137 |
| R27 | 130 |
| R28 | 130 |
| R29 | 130 |
| R30 | 134 |

| SYMBOL NO. | INDEX NO. |
|------------|-----------|
| R31 | 134 |
| R32 | 134 |
| R33 | 134 |
| R34 | 134 |
| R35 | 134 |
| | |
| R36 | 134 |
| R37 | 134 |
| R38 | 134 |
| R39 | 134 |
| R40 | 134 |

| SYMBOL NO. | INDEX NO. |
|------------|-----------|
| R41 | 134 |
| R42 | 130 |
| R43 | 141 |
| R44 | 132 |
| R45 | 140 |
| | |
| R46 | 130 |
| R47 | 130 |
| R48 | 130 |
| R49 | 134 |
| R50 | 134 |

| SYMBOL NO. | INDEX NO. |
|------------|-----------|
| R51 | 134 |
| R52 | 130 |
| R53 | 130 |
| R54 | 134 |
| R55 | 134 |
| | |
| R56 | 134 |
| R57 | 134 |
| R58 | 134 |
| R59 | 134 |
| R60 | 134 |

| SYMBOL NO. | INDEX NO. |
|------------|-----------|
| R61 | 134 |
| R62 | 134 |
| R63 | 129 |
| R64 | 129 |
| R65 | 134 |
| | |
| R66 | 134 |
| R67 | 134 |
| R68 | 130 |
| R69 | 135 |
| R70 | 131 |

23.IOB BORAD (G071)

RESISTOR

| SYMBOL NO. | INDEX NO. |
|------------|-----------|
| R71 | 130 |
| R72 | 138 |
| R73 | 130 |
| R74 | 135 |
| R75 | 131 |
| R76 | 130 |
| R77 | 138 |
| R78 | 130 |
| R79 | 135 |
| R80 | 131 |

| SYMBOL NO. | INDEX NO. |
|------------|-----------|
| R81 | 130 |
| R82 | 138 |
| R83 | 130 |
| R84 | 135 |
| R85 | 131 |
| R86 | 130 |
| R87 | 138 |
| R88 | 133 |
| R89 | 136 |
| R90 | 130 |

ZD

| SYMBOL NO. | INDEX NO. |
|------------|-----------|
| ZD1 | 123 |
| ZD2 | 123 |
| ZD3 | 123 |
| ZD4 | 123 |

23.IOB BORAD (G071)

| Index No. | Part No. | Description | Q'ty Per Assembly |
|-----------|-----------|-------------|-------------------|
| * | G070 5214 | IOB Board | 1 |

| Index No. | Part No. | Description | Q'ty Per Assembly |
|-----------|-----------|---|-------------------|
| 101 | 1102 4201 | Connector - 2P | |
| 102 | 1102 4619 | Connector - 2P | |
| 103 | 1102 5301 | Connector - 2P | |
| 104 | 1102 5305 | Connector - 6P | |
| 105 | 1102 6295 | Connector - 2P | |
| 106 | 1102 6296 | Connector - 3P | |
| 107 | 1102 6298 | Connector - 5P | |
| 108 | 1102 6300 | Connector - 7P | |
| 109 | 1102 6301 | Connector - 8P | |
| 110 | 1102 6302 | Connector - 9P | |
| 111 | 1102 6303 | Connector - 10P | |
| 112 | 1102 6306 | Connector - 13P | |
| 113 | 1102 6307 | Connector - 14P | |
| 114 | 1102 6308 | Connector - 15P | |
| 115 | 1102 6322 | Connector - 15P | |
| 116 | 1102 6328 | Connector - 2P | |
| 117 | 1102 7834 | Connector - B2B | |
| 118 | 1102 8471 | Connector - 55447-071 | |
| 119 | 1102 8472 | Connector - 55447-0810 | |
| 120 | 1102 8480 | Connector - 55447-1610 | |
| 121 | 1400 0381 | Transistor - 2SA1036KR | |
| 122 | 1401 0821 | Diode - 1SS133 | |
| 123 | 1402 1353 | Diode - HZ12BP | |
| 124 | 1407 1535 | IC - TD62308AP | |
| 125 | 1407 2187 | TTLIC - SN74LS07NS | |
| 126 | 1407 2219 | IC - TD62003AP | |
| 127 | 1408 1394 | IC - STK672-110 | |
| 128 | 1408 1652 | Comparator - LM339M | |
| 129 | 1600 1660 | Resistor - ERG2SJ101 | |
| 130 | 1630 4103 | Resistor - 10K Ω \pm 5% 1/16W | |
| 131 | 1630 4223 | Resistor - 22K Ω \pm 5% 1/16W | |
| 132 | 1630 4241 | Resistor - 240 Ω \pm 0.5% 1/16W | |
| 133 | 1630 4272 | Resistor - 2.7k Ω - \pm 5% - 1/16W | |
| 134 | 1630 4331 | Resistor - 330 Ω \pm 5% 1/16W | |
| 135 | 1630 4333 | Resistor - 33K Ω \pm 5% 1/16W | |

| Index No. | Part No. | Description | Q'ty Per Assembly |
|-----------|-----------|--|-------------------|
| 136 | 1630 4471 | Resistor - 470 Ω \pm 5% 1/16W | |
| 137 | 1630 4472 | Resistor - 4.7K Ω \pm 5% 1/16W | |
| 138 | 1630 4514 | Resistor - 510k Ω \pm 5.00% 1/16W | |
| 139 | 1634 0000 | Resistor - 0 Ω 1/16W | |
| 140 | 1634 2800 | Resistor - 280 Ω \pm 1% 1/16W | |
| 141 | 1634 3901 | Resistor - 3.9K Ω \pm 1% 1/16W | |
| 142 | 1640 5101 | Capacitor - 100 μ F \pm 20% 50V | |
| 143 | 1642 1101 | Capacitor - 100 μ F \pm 20% 16V | |
| 144 | 1643 1470 | Capacitor - 47 μ F \pm 20% 16v | |
| 145 | 1660 2471 | Capacitor - 470pF - \pm 5% - 50V | |
| 146 | 1660 4102 | Capacitor - 1000pF \pm 10% 50V | |
| 147 | 1660 6103 | Capacitor - 10000pF - +80%-20%50V | |
| 148 | 1660 8104 | Capacitor - 0.1 μ F+80-20% 25V | |

| Index No. | Part No. | Description | Q'ty Per Assembly |
|-----------|----------|-------------|-------------------|
| | | | |

24.PRINT CONTORL BOARD (G071)

CAPACITOR

| SYMBOL NO. | INDEX NO. | SYMBOL NO. | INDEX NO. | SYMBOL NO. | INDEX NO. | SYMBOL NO. | INDEX NO. | SYMBOL NO. | INDEX NO. | SYMBOL NO. | INDEX NO. | SYMBOL NO. | INDEX NO. |
|------------|-----------|------------|-----------|------------|-----------|------------|-----------|------------|-----------|------------|-----------|------------|-----------|
| C1 | 214 | C11 | 210 | C21 | 212 | C31 | 214 | C43 | 214 | C53 | 212 | C63 | 212 |
| C2 | 214 | C12 | 210 | C22 | 214 | C32 | 210 | C44 | 214 | C54 | 163 | C64 | 212 |
| C3 | 210 | C13 | 214 | C23 | 210 | C33 | 162 | C45 | 214 | C55 | 163 | C65 | 206 |
| C4 | 162 | C14 | 214 | C24 | 214 | C34 | 212 | C46 | 214 | C56 | 206 | C66 | 208 |
| C5 | 199 | C15 | 214 | C25 | 214 | C35 | 162 | C47 | 210 | C57 | 206 | C67 | 210 |
| C6 | 214 | C16 | 210 | C26 | 210 | C36 | 162 | C48 | 214 | C58 | 206 | C68 | 198 |
| C7 | 210 | C17 | 162 | C27 | 212 | C37 | 161 | C49 | 212 | C59 | 214 | C69 | 162 |
| C8 | 214 | C18 | 214 | C28 | 214 | C40 | 167 | C50 | 212 | C60 | 209 | C72 | 202 |
| C9 | 210 | C19 | 210 | C29 | 210 | C41 | 214 | C51 | 214 | C61 | 207 | C73 | 202 |
| C10 | 214 | C20 | 214 | C30 | 214 | C42 | 214 | C52 | 214 | C62 | 211 | C74 | 207 |

CAPACITOR

| SYMBOL NO. | INDEX NO. | SYMBOL NO. | INDEX NO. | SYMBOL NO. | INDEX NO. | SYMBOL NO. | INDEX NO. | SYMBOL NO. | INDEX NO. | SYMBOL NO. | INDEX NO. | SYMBOL NO. | INDEX NO. |
|------------|-----------|------------|-----------|------------|-----------|------------|-----------|------------|-----------|------------|-----------|------------|-----------|
| C75 | 210 | C85 | 214 | C100 | 214 | C110 | 202 | C120 | 210 | C130 | 210 | C144 | 214 |
| C76 | 202 | C86 | 214 | C101 | 214 | C111 | 210 | C121 | 210 | C131 | 210 | C145 | 214 |
| C77 | 199 | C88 | 210 | C102 | 205 | C112 | 210 | C122 | 210 | C132 | 214 | C146 | 214 |
| C78 | 212 | C91 | 214 | C103 | 205 | C113 | 210 | C123 | 210 | C137 | 214 | C147 | 210 |
| C79 | 212 | C92 | 162 | C104 | 161 | C114 | 210 | C124 | 210 | C138 | 210 | C148 | 214 |
| C80 | 210 | C93 | 214 | C105 | 205 | C115 | 210 | C125 | 214 | C139 | 210 | C149 | 214 |
| C81 | 214 | C94 | 162 | C106 | 214 | C116 | 210 | C126 | 210 | C140 | 214 | C150 | 207 |
| C82 | 162 | C97 | 212 | C107 | 210 | C117 | 210 | C127 | 210 | C141 | 214 | C151 | 214 |
| C83 | 214 | C98 | 212 | C108 | 214 | C118 | 210 | C128 | 214 | C142 | 210 | C152 | 210 |
| C84 | 214 | C99 | 205 | C109 | 214 | C119 | 210 | C129 | 214 | C143 | 202 | C153 | 214 |

24.PRINT CONTORL BOARD (G071)

CAPACITOR

| SYMBOL NO. | INDEX NO. | SYMBOL NO. | INDEX NO. | SYMBOL NO. | INDEX NO. | SYMBOL NO. | INDEX NO. | SYMBOL NO. | INDEX NO. | SYMBOL NO. | INDEX NO. | SYMBOL NO. | INDEX NO. |
|------------|-----------|------------|-----------|------------|-----------|------------|-----------|------------|-----------|------------|-----------|------------|-----------|
| C154 | 166 | C164 | 210 | C174 | 210 | C184 | 210 | C203 | 204 | C217 | 212 | C227 | 210 |
| C155 | 212 | C165 | 210 | C175 | 210 | C185 | 210 | C204 | 204 | C218 | 214 | C228 | 214 |
| C156 | 210 | C166 | 210 | C176 | 210 | C192 | 214 | C205 | 204 | C219 | 213 | C229 | 210 |
| C157 | 205 | C167 | 214 | C177 | 210 | C193 | 210 | C210 | 208 | C220 | 203 | C230 | 210 |
| C158 | 210 | C168 | 210 | C178 | 210 | C194 | 214 | C211 | 208 | C221 | 196 | C231 | 214 |
| C159 | 210 | C169 | 167 | C179 | 210 | C195 | 205 | C212 | 208 | C222 | 196 | C232 | 214 |
| C160 | 210 | C170 | 210 | C180 | 210 | C196 | 210 | C213 | 214 | C223 | 203 | C233 | 205 |
| C161 | 210 | C171 | 210 | C181 | 210 | C197 | 212 | C214 | 214 | C224 | 214 | C234 | 166 |
| C162 | 210 | C172 | 210 | C182 | 210 | C198 | 166 | C215 | 208 | C225 | 210 | C235 | 205 |
| C163 | 210 | C173 | 210 | C183 | 210 | C202 | 204 | C216 | 212 | C226 | 214 | C236 | 210 |

CAPACITOR

| SYMBOL NO. | INDEX NO. | SYMBOL NO. | INDEX NO. | SYMBOL NO. | INDEX NO. | SYMBOL NO. | INDEX NO. | SYMBOL NO. | INDEX NO. | SYMBOL NO. | INDEX NO. | SYMBOL NO. | INDEX NO. |
|------------|-----------|------------|-----------|------------|-----------|------------|-----------|------------|-----------|------------|-----------|------------|-----------|
| C237 | 212 | C254 | 210 | C264 | 212 | C280 | 212 | C290 | 210 | C300 | 214 | C404 | 214 |
| C238 | 212 | C255 | 210 | C265 | 210 | C281 | 210 | C291 | 210 | C301 | 214 | C405 | 212 |
| C239 | 210 | C256 | 214 | C266 | 212 | C282 | 214 | C292 | 210 | C302 | 214 | C406 | 212 |
| C240 | 205 | C257 | 210 | C267 | 166 | C283 | 165 | C293 | 210 | C303 | 210 | C407 | 212 |
| C241 | 166 | C258 | 212 | C268 | 166 | C284 | 214 | C294 | 210 | C304 | 210 | C408 | 212 |
| C249 | 212 | C259 | 166 | C275 | 212 | C285 | 214 | C295 | 210 | C305 | 210 | C409 | 166 |
| C250 | 214 | C260 | 210 | C276 | 212 | C286 | 210 | C296 | 214 | C306 | 214 | C410 | 166 |
| C251 | 208 | C261 | 205 | C277 | 214 | C287 | 210 | C297 | 210 | C307 | 210 | C411 | 166 |
| C252 | 204 | C262 | 210 | C278 | 210 | C288 | 214 | C298 | 214 | C402 | 214 | C412 | 166 |
| C253 | 214 | C263 | 205 | C279 | 212 | C289 | 214 | C299 | 210 | C403 | 214 | C413 | 166 |

24.PRINT CONTORL BOARD (G071)

CAPACITOR

| SYMBOL NO. | INDEX NO. | SYMBOL NO. | INDEX NO. | SYMBOL NO. | INDEX NO. | SYMBOL NO. | INDEX NO. | SYMBOL NO. | INDEX NO. | SYMBOL NO. | INDEX NO. | SYMBOL NO. | INDEX NO. |
|------------|-----------|------------|-----------|------------|-----------|------------|-----------|------------|-----------|------------|-----------|------------|-----------|
| C414 | 166 | C427 | 214 | C512 | 214 | C522 | 214 | C603 | 214 | C670 | 166 | C905 | 214 |
| C415 | 166 | C428 | 214 | C513 | 214 | C523 | 214 | C604 | 214 | C671 | 166 | C906 | 212 |
| C416 | 166 | C429 | 214 | C514 | 214 | C524 | 214 | C605 | 214 | C672 | 166 | C907 | 211 |
| C420 | 214 | C430 | 206 | C515 | 214 | C525 | 214 | C606 | 214 | C673 | 166 | C908 | 207 |
| C421 | 214 | C433 | 214 | C516 | 214 | C526 | 214 | C607 | 214 | C674 | 166 | C909 | 209 |
| C422 | 214 | C502 | 204 | C517 | 214 | C534 | 210 | C608 | 214 | C675 | 166 | C996 | 212 |
| C423 | 214 | C503 | 204 | C518 | 214 | C535 | 214 | C640 | 214 | C676 | 166 | C997 | 214 |
| C424 | 214 | C509 | 214 | C519 | 214 | C600 | 202 | C641 | 214 | C677 | 166 | C998 | 212 |
| C425 | 214 | C510 | 214 | C520 | 214 | C601 | 202 | C650 | 210 | C700 | 210 | C999 | 214 |
| C426 | 214 | C511 | 214 | C521 | 214 | C602 | 164 | C651 | 214 | C701 | 210 | | |

CONNECTOR

| SYMBOL NO. | INDEX NO. |
|------------|-----------|
| CN1 | 109 |
| CN2 | 106 |
| CN3 | 105 |
| CN4 | 111 |
| CN5 | 111 |
| CN6 | 110 |
| CN7 | 110 |
| CN9 | 104 |
| CN10 | 101 |
| CN11 | 103 |

| SYMBOL NO. | INDEX NO. |
|------------|-----------|
| CN12 | 107 |
| CN13 | 102 |
| CN14 | 108 |

DIODE

| SYMBOL NO. | INDEX NO. |
|------------|-----------|
| D1 | 116 |
| D2 | 116 |
| D3 | 116 |
| D4 | 116 |
| D5 | 117 |

FILTER

| SYMBOL NO. | INDEX NO. |
|------------|-----------|
| FIL1 | 168 |
| FIL2 | 171 |
| FIL3 | 171 |
| FIL4 | 171 |
| FIL5 | 171 |
| FIL6 | 171 |
| FIL7 | 171 |
| FIL8 | 171 |
| FIL9 | 171 |
| FIL10 | 171 |

IC

| SYMBOL NO. | INDEX NO. |
|------------|-----------|
| IC1 | 122 |
| IC2 | 130 |
| IC3 | 131 |
| IC4 | 123 |
| IC5 | 128 |
| IC6 | 131 |
| IC7 | 124 |
| IC8 | 138 |
| IC9 | 121 |
| IC10 | 137 |

| SYMBOL NO. | INDEX NO. |
|------------|-----------|
| IC11 | 131 |
| IC12 | 126 |
| IC13 | 128 |
| IC14 | 125 |
| IC15 | 123 |
| IC16 | 123 |
| IC17 | --- |
| IC18 | 119 |
| IC19 | 216 |
| IC21 | 120 |

| SYMBOL NO. | INDEX NO. |
|------------|-----------|
| IC22 | 135 |
| IC23 | 129 |
| IC25 | 123 |
| IC27 | 136 |
| IC28 | 133 |
| IC29 | 217 |
| (Socket) | 112 |
| IC32 | 137 |
| IC33 | 138 |
| IC34 | 127 |

24.PRINT CONTORL BOARD (G071)

IC

| SYMBOL NO. | INDEX NO. |
|------------|-----------|
| IC68 | 215 |
| IC505 | 132 |
| IC520 | 134 |
| IC600 | 131 |
| IC998 | 140 |
| IC999 | 140 |

JP

| SYMBOL NO. | INDEX NO. |
|------------|-----------|
| JP1 | 193 |
| JP2 | 196 |
| JP3 | 193 |
| JP12 | 193 |
| JP13 | 196 |
| JP14 | 196 |
| JP17 | 196 |
| JP19 | 196 |
| JP20 | 193 |
| JP21 | 193 |

| SYMBOL NO. | INDEX NO. |
|------------|-----------|
| JP22 | 193 |
| JP23 | 193 |
| JP24 | 193 |
| JP25 | 193 |
| JP26 | 193 |
| JP27 | 193 |
| JP28 | 196 |
| JP31 | 193 |
| JP34 | 193 |
| JP43 | 193 |

| SYMBOL NO. | INDEX NO. |
|------------|-----------|
| JP44 | 193 |
| JP100 | 196 |
| JP200 | 196 |
| JP301 | 196 |
| JP404 | 196 |
| JP501 | 196 |
| JP502 | 196 |
| JP503 | 196 |
| JP504 | 196 |
| JP610 | 196 |

| SYMBOL NO. | INDEX NO. |
|------------|-----------|
| JP611 | 196 |
| JP612 | 196 |
| JP613 | 196 |
| JP615 | 196 |
| JP616 | 196 |
| JP617 | 196 |

LED

| SYMBOL NO. | INDEX NO. |
|------------|-----------|
| LED1 | 118 |
| LED2 | 118 |

OSC

| SYMBOL NO. | INDEX NO. |
|------------|-----------|
| OSC1 | 142 |
| OSC3 | 144 |
| OSC4 | 143 |

Q

| SYMBOL NO. | INDEX NO. |
|------------|-----------|
| Q1 | 115 |
| Q2 | 114 |

RESISTOR

| SYMBOL NO. | INDEX NO. |
|------------|-----------|
| R4 | 178 |
| R10 | 179 |
| R11 | 179 |
| R12 | 179 |
| R13 | 179 |
| R14 | 186 |
| R15 | 186 |
| R16 | 186 |
| R17 | 186 |
| R18 | 186 |

| SYMBOL NO. | INDEX NO. |
|------------|-----------|
| R19 | 186 |
| R20 | 186 |
| R21 | 186 |
| R22 | 186 |
| R23 | 179 |
| R25 | 186 |
| R26 | 186 |
| R27 | 186 |
| R28 | 186 |
| R29 | 178 |

| SYMBOL NO. | INDEX NO. |
|------------|-----------|
| R30 | 186 |
| R31 | 178 |
| R32 | 178 |
| R33 | 186 |
| R34 | 189 |
| R35 | 189 |
| R36 | 178 |
| R37 | 173 |
| R38 | 173 |
| R40 | 182 |

| SYMBOL NO. | INDEX NO. |
|------------|-----------|
| R41 | 182 |
| R43 | 178 |
| R44 | 178 |
| R45 | 200 |
| R46 | 176 |
| R47 | 176 |
| R48 | 176 |
| R49 | 176 |
| R50 | 183 |
| R51 | 178 |

| SYMBOL NO. | INDEX NO. |
|------------|-----------|
| R52 | 182 |
| R53 | 186 |
| R54 | 186 |
| R55 | 182 |
| R56 | 182 |
| R57 | 178 |
| R59 | 178 |
| R61 | 178 |
| R62 | 178 |
| R63 | 190 |

| SYMBOL NO. | INDEX NO. |
|------------|-----------|
| R64 | 191 |
| R65 | 177 |
| R66 | 191 |
| R67 | 191 |
| R68 | 178 |
| R69 | 184 |
| R70 | 184 |
| R71 | 184 |
| R72 | 178 |
| R73 | 178 |

24.PRINT CONTORL BOARD (G071)

RESISTOR

| SYMBOL NO. | INDEX NO. | SYMBOL NO. | INDEX NO. | SYMBOL NO. | INDEX NO. | SYMBOL NO. | INDEX NO. | SYMBOL NO. | INDEX NO. | SYMBOL NO. | INDEX NO. | SYMBOL NO. | INDEX NO. |
|------------|-----------|------------|-----------|------------|-----------|------------|-----------|------------|-----------|------------|-----------|------------|-----------|
| R74 | 178 | R84 | 178 | R94 | 178 | R112 | 187 | R124 | 186 | R134 | 182 | R144 | 180 |
| R75 | 184 | R85 | 172 | R97 | 170 | R113 | 187 | R125 | 186 | R135 | 191 | R150 | 175 |
| R76 | 184 | R86 | 172 | R98 | 170 | R114 | 194 | R126 | 186 | R136 | 186 | R152 | 178 |
| R77 | 191 | R87 | 172 | R99 | 170 | R115 | 184 | R127 | 186 | R137 | 186 | R153 | 178 |
| R78 | 184 | R88 | 172 | R100 | 178 | R116 | 195 | R128 | 186 | R138 | 186 | R154 | 178 |
| R79 | 184 | R89 | 172 | R101 | 178 | R117 | 195 | R129 | 186 | R139 | 186 | R155 | 178 |
| R80 | 182 | R90 | 172 | R102 | 178 | R118 | 178 | R130 | 186 | R140 | 186 | R156 | 178 |
| R81 | 191 | R91 | 172 | R103 | 178 | R119 | 178 | R131 | 186 | R141 | 191 | R157 | 178 |
| R82 | 185 | R92 | 185 | R110 | 187 | R122 | 186 | R132 | 175 | R142 | 191 | R158 | 178 |
| R83 | 191 | R93 | 177 | R111 | 187 | R123 | 186 | R133 | 194 | R143 | 191 | R159 | 178 |

RESISTOR

| SYMBOL NO. | INDEX NO. | SYMBOL NO. | INDEX NO. | SYMBOL NO. | INDEX NO. | SYMBOL NO. | INDEX NO. | SYMBOL NO. | INDEX NO. | SYMBOL NO. | INDEX NO. | SYMBOL NO. | INDEX NO. |
|------------|-----------|------------|-----------|------------|-----------|------------|-----------|------------|-----------|------------|-----------|------------|-----------|
| R160 | 173 | R174 | 186 | R186 | 182 | R199 | 191 | R210 | 182 | R222 | 182 | R232 | 182 |
| R161 | 173 | R177 | 184 | R189 | 182 | R200 | 191 | R211 | 191 | R223 | 182 | R233 | 191 |
| R164 | 187 | R178 | 184 | R190 | 186 | R201 | 191 | R212 | 191 | R224 | 182 | R234 | 191 |
| R165 | 197 | R179 | 184 | R191 | 186 | R203 | 182 | R213 | 177 | R225 | 182 | R235 | 184 |
| R168 | 186 | R180 | 184 | R192 | 185 | R204 | 182 | R216 | 184 | R226 | 186 | R236 | 178 |
| R169 | 184 | R181 | 191 | R193 | 192 | R205 | 182 | R217 | 184 | R227 | 186 | R239 | 184 |
| R170 | 188 | R182 | 191 | R194 | 192 | R206 | 182 | R218 | 184 | R228 | 186 | R240 | 178 |
| R171 | 188 | R183 | 191 | R195 | 192 | R207 | 186 | R219 | 184 | R229 | 186 | R249 | 184 |
| R172 | 178 | R184 | 186 | R196 | 186 | R208 | 186 | R220 | 182 | R230 | 186 | R250 | 184 |
| R173 | 178 | R185 | 186 | R198 | 191 | R209 | 182 | R221 | 182 | R231 | 182 | R251 | 184 |

24.PRINT CONTORL BOARD (G071)

RESISTOR

| SYMBOL NO. | INDEX NO. |
|------------|-----------|
| R252 | 184 |
| R253 | 178 |
| R300 | 178 |
| R301 | 178 |
| R303 | 191 |
| R304 | 184 |
| R305 | 184 |
| R306 | 184 |
| R310 | 182 |
| R311 | 184 |

| SYMBOL NO. | INDEX NO. |
|------------|-----------|
| R555 | 181 |
| R557 | 191 |
| R558 | 178 |
| R559 | 178 |
| R600 | 174 |
| R601 | 174 |
| R602 | 174 |
| R603 | 174 |
| R610 | 178 |
| R615 | 178 |

| SYMBOL NO. | INDEX NO. |
|------------|-----------|
| R617 | 178 |
| R620 | 178 |
| R621 | 178 |
| R622 | 178 |
| R626 | 178 |
| R631 | 184 |
| R632 | 184 |
| R633 | 184 |
| R635 | 201 |

REG

| SYMBOL NO. | INDEX NO. |
|------------|-----------|
| REG1 | 139 |
| REG2 | 139 |
| REG3 | 141 |
| REG53 | 141 |

RN

| SYMBOL NO. | INDEX NO. |
|------------|-----------|
| RN1 | 148 |
| RN3 | 145 |
| RN4 | 147 |
| RN9 | 157 |
| RN10 | 157 |
| RN11 | 156 |
| RN12 | 157 |
| RN13 | 157 |
| RN14 | 148 |
| RN16 | 153 |

| SYMBOL NO. | INDEX NO. |
|------------|-----------|
| RN17 | 153 |
| RN18 | 149 |
| RN19 | 149 |
| RN20 | 153 |
| RN21 | 153 |
| RN22 | 153 |
| RN23 | 153 |
| RN24 | 153 |
| RN25 | 150 |
| RN26 | 151 |

| SYMBOL NO. | INDEX NO. |
|------------|-----------|
| RN27 | 151 |
| RN31 | 158 |
| RN32 | 158 |
| RN33 | 158 |
| RN38 | 151 |
| RN39 | 151 |
| RN40 | 151 |
| RN41 | 151 |
| RN42 | 151 |
| RN43 | 159 |

RN

| SYMBOL NO. | INDEX NO. |
|------------|-----------|
| RN46 | 155 |
| RN47 | 159 |
| RN49 | 159 |
| RN50 | 159 |
| RN51 | 155 |
| RN52 | 146 |
| RN53 | 154 |
| RN55 | 159 |
| RN60 | 152 |
| RN62 | 152 |

| SYMBOL NO. | INDEX NO. |
|------------|-----------|
| RN68 | 159 |
| RN69 | 159 |
| RN71 | 159 |
| RN73 | 159 |
| RN79 | 146 |
| RN80 | 147 |
| RN81 | 146 |
| RN82 | 147 |
| RN113 | 155 |
| RN114 | 160 |

| SYMBOL NO. | INDEX NO. |
|------------|-----------|
| RN115 | 160 |
| RN116 | 160 |
| RN117 | 160 |
| RN118 | 160 |
| RN119 | 160 |
| RN120 | 160 |
| RN121 | 155 |
| RN123 | 160 |
| RN127 | 155 |
| RN128 | 155 |

| SYMBOL NO. | INDEX NO. |
|------------|-----------|
| RN129 | 155 |
| RN130 | 155 |
| RN132 | 155 |
| RN133 | 155 |
| RN134 | 155 |
| RN137 | 153 |
| RN138 | 153 |
| RN139 | 145 |
| RN140 | 145 |

SWITCH

| SYMBOL NO. | INDEX NO. |
|------------|-----------|
| SW2 | 113 |

T

| SYMBOL NO. | INDEX NO. |
|------------|-----------|
| T1 | 169 |

24.PRINT CONTORL BOARD (G071)

| Index No. | Part No. | Description | Q'ty Per Assembly |
|-----------|-----------|------------------------|-------------------|
| * | G070 5844 | Printer Controll Borad | 1 |

| Index No. | Part No. | Description | Q'ty Per Assembly |
|-----------|-----------|----------------------------------|-------------------|
| 101 | 1102 2391 | Connector - HIF3FB-40PA-2.54DSA | |
| 102 | 1102 3566 | Connector - S8B-XH-A(8PIN) | |
| 103 | 1102 6815 | Connector - 53258-0410 | |
| 104 | 1102 7785 | Connector - 57RE40360830BD29B | |
| 105 | 1102 8153 | Connector - FCN-568P068-G/05A-V4 | |
| 106 | 1102 8357 | Connector - 52777-0809 | |
| 107 | 1102 8373 | Connector - RJHS-5381 | |
| 108 | 1102 8584 | Connector - 52777-0409 | |
| 109 | 1102 8656 | Connector - TX25-120P-LT-H1 | |
| 110 | 1102 8829 | Connector - DM-1D4-N3210 | |
| 111 | 1102 8832 | Connector - DM-3D4-B3210 | |
| 112 | 1104 0771 | IC Socket - 28PIN | |
| 113 | 1204 1422 | Dip Switch - 51D-0401 | |
| 114 | 1400 0591 | Transistor - DTC113ZK | |
| 115 | 1401 1136 | FET - HAT1020R | |
| 116 | 1402 1342 | Diode - 1SR154-400 | |
| 117 | 1402 1445 | Diode - 1SS376 | |
| 118 | 1403 0996 | LED - SML-310VT | |
| 119 | 1407 2187 | TTLIC - SN74LS07NS | |
| 120 | 1407 4346 | CMOS2 IC - TC7W08F | |
| 121 | 1407 4874 | CMOS IC - 74VHC32 TSSOP | |
| 122 | 1407 5122 | IC - CMOS LOGIC-TC74ACT374FT | |
| 123 | 1407 5275 | CMOS Logic - 74LVCHR16245A TSSOP | |
| 124 | 1407 5281 | IC - EEPROM-I2C BUS 1K SOP | |
| 125 | 1407 5300 | CMOS Logic - 74LVC16244A TSSOP | |
| 126 | 1407 5321 | CMOS Logic - 74LVCH16374A TSSOP | |
| 127 | 1407 5322 | IC - CMOS LOGIC SN74LVC161284DGG | |
| 128 | 1407 5334 | IC - CMOS LOGIC 74LVC244A TSSOP | |
| 129 | 1407 5342 | Clock Generator - ICS9248AF-128 | |
| 130 | 1407 5363 | IC - SN74AHCT04PW | |
| 131 | 1407 5364 | IC - SN74AHCT244PW | |
| 132 | 1407 5366 | IC - 74LVC08A TSSOP | |
| 133 | 1407 5412 | IC - RM5261-250Q-REV1.2C | |
| 134 | 1407 5454 | IC - SN74LV86APW | |
| 135 | 1407 5485 | IC - SN74VC574APW | |

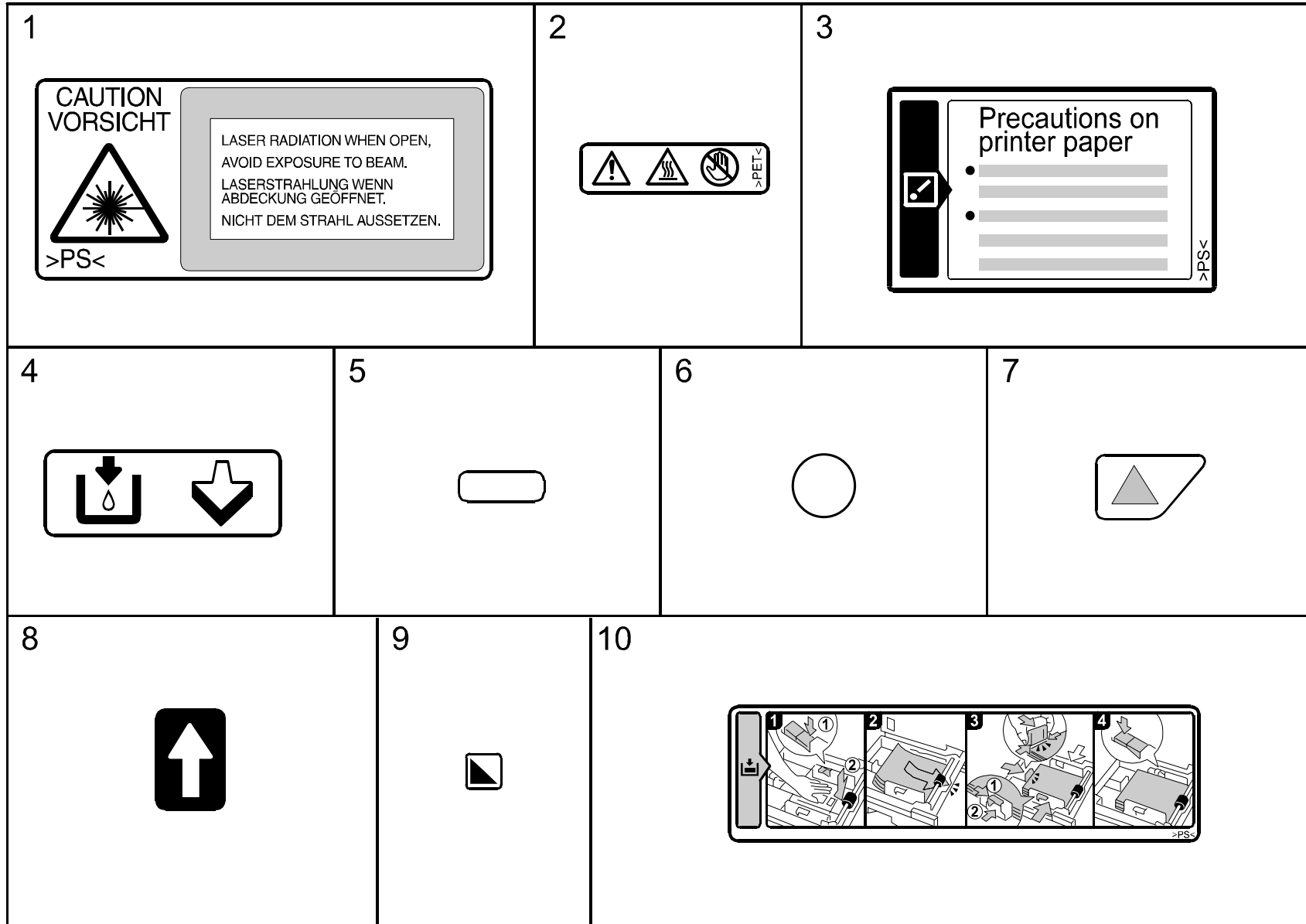
| Index No. | Part No. | Description | Q'ty Per Assembly |
|-----------|-----------|---|-------------------|
| 136 | 1407 5674 | IC - LVDS:DP83846AVHG(A4) | |
| 137 | 1408 1273 | IC - RN5VD28A | |
| 138 | 1408 1398 | Detector - RN5VD42A | |
| 139 | 1408 1454 | Series Regulator - LM1085IS-3.3 | |
| 140 | 1408 1565 | IC - RN5VD21A | |
| 141 | 1408 1640 | Series Regulator - PQ070XH02Z | |
| 142 | 1503 0842 | Oscillator - 14.31818mhz | |
| 143 | 1503 0914 | Crystal Oscilator - 25mhz | |
| 144 | 1503 1021 | Crystal Oscilator - Sg-710eck 25mhz | |
| 145 | 1601 7752 | Resistor Array - 10K Ω \pm 5% | |
| 146 | 1601 7867 | Resistor - 33 Ω \pm 5% 1/16W | |
| 147 | 1601 7871 | Resistor - 68 Ω \pm 5% 1/16W | |
| 148 | 1601 7872 | Resistor Array - 220 Ω \pm 5% 1/16W | |
| 149 | 1601 7879 | Resistor - 22 Ω \pm 5% 1/16W | |
| 150 | 1601 7898 | Resistor Array | |
| 151 | 1601 7913 | Resistor - 22 Ω \pm 5% 1/32W | |
| 152 | 1601 7914 | Resistor Array - 47 Ω \pm 5% | |
| 153 | 1601 7915 | Resistor Array - 33 Ω \pm 5% 1/16W | |
| 154 | 1601 7918 | Resistor - 22 Ω \pm 5% 1/16W | |
| 155 | 1601 7926 | Resistor - 68 Ω \pm 5% 1/16W 8 | |
| 156 | 1601 7928 | Resistor Array - 4.7K Ω \pm 5% 1/16W | |
| 157 | 1601 7929 | Resistor Array - 100K Ω \pm 5% 1/16W | |
| 158 | 1601 7933 | Resistor Array - 100 Ω \pm 5% 1/16W | |
| 159 | 1601 7943 | Resistor Array - 68 Ω \pm 5% 1/32W | |
| 160 | 1601 7954 | Resistor Array - 120 Ω \pm 5% 1/16W | |
| 161 | 1604 4335 | Capacitor - 220 μ F \pm 20% 10V | |
| 162 | 1604 4428 | Capacitor - 100 μ F20% 16V | |
| 163 | 1605 0832 | Capacitor - 8PF \pm 0.5pF 50V | |
| 164 | 1605 1025 | Capacitor - 1000pF \pm 10% 2KV | |
| 165 | 1605 1081 | Capacitor - 10 μ F+80-20% 25V | |
| 166 | 1605 1124 | Capacitor - 4.7 μ F+80 -20% 10V | |
| 167 | 1605 1181 | Capacitor - 10 μ F+80-20% 10V | |
| 168 | 1607 0815 | IC - BLM41P600SPB | |
| 169 | 1607 0987 | Inductor - T1a-6t103 | |
| 170 | 1607 1052 | Filter - Bk1608II241 | |

| Index No. | Part No. | Description | Q'ty Per Assembly |
|-----------|-----------|---|-------------------|
| 171 | 1607 1206 | Filter - Acc2012I-250 | |
| 172 | 1607 1369 | Filter - Blm18ba220sn1b | |
| 173 | 1610 1506 | Resistor - 1K Ω \pm 0.5% 1/16W | |
| 174 | 1630 2750 | Resistor - 758 Ω 1/8W \pm 5% | |
| 175 | 1630 3271 | Resistor - 270 Ω +5% 1/10W | |
| 176 | 1630 4101 | Resistor - 100 Ω \pm 5% 1/16W | |
| 177 | 1630 4102 | Resistor - 1.0K Ω \pm 5% 1/16W | |
| 178 | 1630 4103 | Resistor - 10K Ω \pm 5% 1/16W | |
| 179 | 1630 4104 | Resistor - 100 Ω \pm 5% 1/16W | |
| 180 | 1630 4122 | Resistor - 1.2K Ω 5% 1/16W | |
| 181 | 1630 4152 | Resistor - 1.5K Ω \pm 5% 1/16W | |
| 182 | 1630 4220 | Resistor - 22 Ω \pm 5% 1/16W | |
| 183 | 1630 4222 | Resistor - 2.2K Ω \pm 5% | |
| 184 | 1630 4330 | Resistor - 33 Ω \pm 5% 1/8W | |
| 185 | 1630 4470 | Resistor - 470 Ω \pm 5% 1/16W | |
| 186 | 1630 4472 | Resistor - 4.7K Ω \pm 5% 1/16W | |
| 187 | 1630 4512 | Resistor - 5.1k Ω - \pm 5% - 1/16W | |
| 188 | 1630 4519 | Resistor - 5.1 Ω \pm 5% 1/16W | |
| 189 | 1630 4561 | Resistor - 560 Ω \pm 5% 1/16W | |
| 190 | 1630 4562 | Resistor - 5.6k Ω - \pm 5% - 1/16W | |
| 191 | 1630 4680 | Resistor - 68 Ω \pm 5% 1/16W | |
| 192 | 1630 4820 | Resistor - 82 Ω \pm 5% 1/16W | |
| 193 | 1632 0000 | Resistor - 0 Ω 1/8W | |
| 194 | 1632 4999 | Resistor - 49.9 Ω \pm 1% 1/8W | |
| 195 | 1632 5499 | Resistor - 54.9 Ω \pm 1% 1/8W | |
| 196 | 1634 0000 | Resistor - 0 Ω 1/16W | |
| 197 | 1634 9311 | Resistor - 9.31K Ω \pm 1% 1/16W | |
| 198 | 1644 0100 | Capacitor - 10 μ F \pm 20% 10V | |
| 199 | 1644 2330 | Capacitor - 33 μ F \pm 20% 25V | |
| 200 | 1650 4202 | RESISTOR - 2K Ω \pm 5%1/10W | |
| 201 | 1650 4910 | RESISTOR - 91 Ω \pm 5%1/10W | |
| 202 | 1660 0100 | Capacitor - 10PF \pm 0.5pF 50V | |
| 203 | 1660 2150 | Capacitor - 15pF \pm 5% 50V | |
| 204 | 1660 2220 | Capacitor - 22pF \pm 20% 35V | |
| 205 | 1660 2221 | Capacitor - 220pF +80-20% 50V | |

| Index No. | Part No. | Description | Q'ty Per Assembly |
|-----------|-----------|---------------------------------------|-------------------|
| 206 | 1660 2330 | Capacitor - 33pF - $\pm 5\%$ - 50V | |
| 207 | 1660 2331 | Capacitor - 330pF $\pm 5\%$ 50V | |
| 208 | 1660 2471 | Capacitor - 470pF - $\pm 5\%$ - 50V | |
| 209 | 1660 2680 | Capacitor - 68pF $\pm 5\%$ 50V | |
| 210 | 1660 4102 | Capacitor - 1000pF $\pm 10\%$ 50V | |
| 211 | 1660 4222 | Capacitor - 2200pF - $\pm 10\%$ - 50V | |
| 212 | 1660 6103 | Capacitor - 10000pF - +80%-20%50V | |
| 213 | 1660 6473 | Capacitor - 47000pF +80,-20% 50V | |
| 214 | 1660 8104 | Capacitor - 0.1 μ F+80-20% 25V | |
| 215 | 1906 0017 | Flash Memory - LH28F320BJ-PBTL70 | |
| 216 | 1906 0021 | IC - DRAM MBM29LV160BE70TN | |
| 217 | 1407 5335 | RAM - STK12C68-P55 | |

| Index No. | Part No. | Description | Q'ty Per Assembly |
|-----------|----------|-------------|-------------------|
| | | | |

25.DECALS AND DOCUMENTS (G071)



25.DECALS AND DOCUMENTS (G071)

11

infotec
IPC1036

Rex-Rotary
C7010
Aficio™

Gestetner
C7010
Aficio™

RICOH
LASER AP3600C
Aficio™

nashua
C7010
Aficio™

RICOH
Aficio
AP3600C

12

· The image is printed on the back side.
 · L' image est imprimée sur la face inférieure.
 · Das Kopienbild wird auf die Papierrückseite kopiert.
 · L'immagine vienestampata sul retro.
 · La imágen se imprimirán en la parte inferior del panel.
 · プリントする面を下にして、セットしてください。

>PS<

13

CAUTION
ATTENTION
注意
ACHTUNG
ATTENZIONE
PRECAUCIÓN

>PET<

14

| | | | | | | |
|---|--|----------------------|----|----|-------|-------|
| 1 | | <input type="text"/> | A3 | A4 | A5 | 8½×11 |
| 2 | | <input type="text"/> | A3 | A4 | 11×17 | 8½×11 |
| 3 | | <input type="text"/> | A4 | B4 | 11×17 | 8½×11 |
| | | <input type="text"/> | A4 | B5 | 8½×14 | 8½×11 |
| | | <input type="text"/> | A4 | B5 | 8½×14 | 8½×11 |

1 ← A4 8½×11

15

16

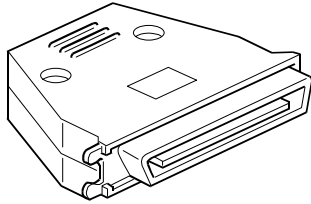
25.DECALS AND DOCUMENTS (G071)

| Index No. | Part No. | Description | Q'ty Per Assembly |
|-----------|-----------|-------------------------------------|-------------------|
| 1 | AA00 0217 | Decal - LD 655 | 1 |
| 2 | AA00 0301 | Decal Warning (High Temperature) | 1 |
| 3 | GA00 3038 | Decal - Inkjet Paper Caution | 1 |
| 4 | AA00 3013 | Grip Decal | 1 |
| 5 | AA00 3016 | Grip Decal | 1 |
| 6 | G024 6991 | Display Decal - Cyan | 1 |
| 6 | G024 6992 | Display Decal - Magenta | 1 |
| 6 | G024 6993 | Display Decal - Yellow | 1 |
| 6 | G024 6994 | Display Decal - Black | 1 |
| 7 | G070 2373 | PCU Upper Decal | 1 |
| 8 | G070 2374 | Decal - Machine Guide | 1 |
| 9 | G070 2375 | Decal - PCU Positioning | 1 |
| 10 | G070 2730 | Decal - Paper Set Direction | 1 |
| 11 | G071 1386 | Decal - Emblem (INF) | 1 |
| 11 | G071 1387 | Decal - Emblem (GES) | 1 |
| 11 | G071 1388 | Decal - Emblem (RED) | 1 |
| 11 | G071 1389 | Decal - Emblem (NSA) | 1 |
| 11 | G071 1396 | Decal - Emblem (RIC NA) | 1 |
| 11 | G071 1397 | Decal - Emblem (RIC EU) | 1 |
| 12 | G304 6813 | Decal - By-pass Feed Direction | 1 |
| 13 | GA00 0025 | Decal - Warning | 1 |
| 14 | GA00 2022 | Decal - Paper Tray Multch | 1 |
| 15 | G071 7500 | O/Instruction-Check List English | 1 |
| 15 | G071 7503 | O/Instructions-Q/Inst/Guide Eng | 1 |
| 16 | G071 7506 | O/Instructions-Option Setup English | 1 |
| 16 | G071 7513 | O/I - Maintenance Guide - English | 1 |

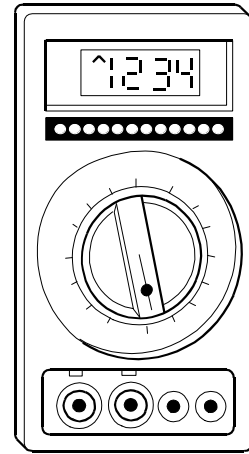
| Index No. | Part No. | Description | Q'ty Per Assembly |
|-----------|----------|-------------|-------------------|
| | | | |

26.SPECIAL TOOLS (G071)

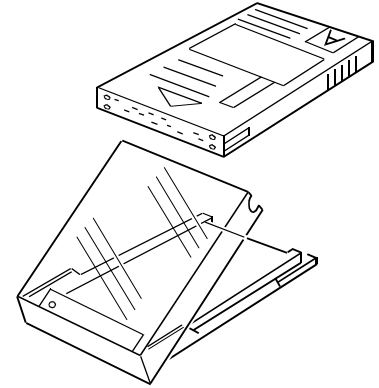
1



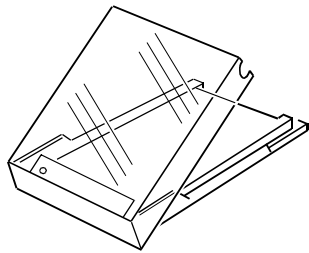
2



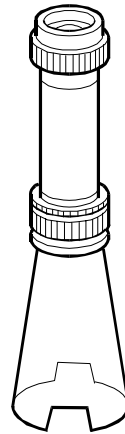
3



4



5



26.SPECIAL TOOLS (G071)

| Index No. | Part No. | Description | Q'ty Per Assembly |
|-----------|-----------|-------------------------------|-------------------|
| 1 | G021 9350 | Loopback Connector - Parallel | 1 |
| 2 | A029 9387 | Digital Multimeter - FLUKE87 | 1 |
| 3 | N803 6701 | Flash Memory Card - 4MB | 1 |
| 4 | N803 1000 | Case - Flash Memory Card | 1 |
| 5 | C401 9503 | 20X Magnification Scope | 1 |

| Index No. | Part No. | Description | Q'ty Per Assembly |
|-----------|----------|-------------|-------------------|
| | | | |

Parts Index

Parts Index

| Part No. | Description | Page and Index No. |
|-----------|-------------------------------------|--------------------|
| G071 1385 | Decal - Emblem (LAN) | 7 - 17 |
| G071 1386 | Decal - Emblem (INF) | 67 - 11 |
| G071 1386 | Decal - Emblem (INF) | 7 - 17 |
| G071 1387 | Decal - Emblem (GES) | 67 - 11 |
| G071 1387 | Decal - Emblem (GES) | 7 - 17 |
| G071 1388 | Decal - Emblem (REX) | 7 - 17 |
| G071 1388 | Decal - Emblem (RED) | 67 - 11 |
| G071 1389 | Decal - Emblem (NSA) | 7 - 17 |
| G071 1389 | Decal - Emblem (NSA) | 67 - 11 |
| G071 1396 | Decal - Emblem (RIC NA) | 7 - 17 |
| G071 1396 | Decal - Emblem (RIC NA) | 67 - 11 |
| G071 1397 | Decal - Emblem (RIC EU) | 7 - 17 |
| G071 1397 | Decal - Emblem (RIC EU) | 67 - 11 |
| G071 7500 | O/Instruction-Check List English | 67 - 15 |
| G071 7503 | O/Instructions-Q/Inst/Guide Eng | 67 - 15 |
| G071 7506 | O/Instructions-Option Setup English | 67 - 16 |
| G071 7513 | O/I - Maintenance Guide - English | 67 - 16 |

| Part No. | Description | Page and Index No. |
|-----------|-------------------------------|--------------------|
| A029 9387 | Digital Multimeter - FLUKE87 | 69 - 2 |
| A096 3863 | Spacer - 4x6x1 | 25 - 9 |
| A134 2661 | Feeler Roller | 15 - 37 |
| A166 1363 | Hinge Pin | 7 - 13 |
| A172 7611 | Positioning Pin | 25 - 12 |
| A172 7650 | Slider Ring | 25 - 40 |
| A217 1340 | Knob Screw - M4x10 | 9 - 27 |
| A232 1284 | Spring Holder | 19 - 10 |
| A232 2862 | Driven Roller | 21 - 26 |
| A232 2862 | Driven Roller | 15 - 40 |
| A232 5355 | IC - GATEX | 53 - 1 |
| A257 3490 | Cap - 20mm | 25 - 44 |
| A259 2337 | Exhaust Filter Dust Filter | 9 - 6 |
| A267 2869 | Gear - 16Z | 17 - 14 |
| A267 4476 | Feeler - Paper Feed Sensor | 33 - 6 |
| A267 4478 | Feeler - Paper Overflow | 33 - 1 |
| B039 2727 | Bushing - 8x12x10 | 17 - 9 |
| B051 1132 | Grip Bracket - Front Right | 47 - 25 |
| B051 2151 | Charge Corona Assembly | 25 - 1 |
| B051 2580 | Decal - Ohp Paper Feed | 13 - 13 |
| B051 2580 | Decal - Ohp Paper Feed | 17 - 22 |
| B051 2581 | Decal - End Fence | 17 - 23 |
| B051 4118 | Torsion Spring - Rear | 31 - 39 |
| B051 4120 | Torsion Spring - Front | 31 - 40 |
| B051 4138 | Roller Clutch - 4mm | 31 - 38 |
| B051 6160 | Bracket - Positioning Sensor | 45 - 8 |
| B525 5660 | USB Board | 41 - 27 |
| C218 3051 | Philips Screw - M3 | 41 - 18 |
| C401 9503 | 20X Magnification Scope | 69 - 5 |
| G012 3050 | Side Fence Gear | 13 - 12 |
| G021 9350 | Loopback Connector - Parallel | 69 - 1 |
| G024 4740 | Oil End Sensor | 31 - 5 |
| G024 6991 | Display Decal - Cyan | 27 - 16 |
| G024 6991 | Display Decal - Cyan | 67 - 6 |
| G024 6992 | Display Decal - Magenta | 27 - 15 |

| Part No. | Description | Page and Index No. |
|-----------|-------------------------------------|--------------------|
| G024 6992 | Display Decal - Magenta | 67 - 6 |
| G024 6993 | Display Decal - Yellow | 27 - 17 |
| G024 6993 | Display Decal - Yellow | 67 - 6 |
| G024 6994 | Display Decal - Black | 27 - 18 |
| G024 6994 | Display Decal - Black | 67 - 6 |
| G029 1975 | Cylindrical Lens | 23 - 11 |
| G047 3257 | Feed Roller | 15 - 30 |
| G047 4785 | Idle Roller | 33 - 22 |
| G060 2801 | Holder - Paper Tray | 37 - 10 |
| G060 2900 | Torque Limiter - 40mm \times 18mm | 15 - 3 |
| G060 2905 | Paper Guide - Manual Feed Tabl | 13 - 9 |
| G060 2914 | Stopper Plate | 15 - 28 |
| G060 2931 | Feeler - Paper End | 15 - 24 |
| G060 2932 | Pick-up Arm - Manual Feed | 15 - 36 |
| G060 2937 | DC Solenoid - Pick-up | 15 - 8 |
| G060 4351 | Thermofuse - 131BC | 29 - 4 |
| G070 1059 | Left Upper Stay | 27 - 13 |
| G070 1060 | Right Upper Stay | 33 - 26 |
| G070 1069 | Rear Filter Cover | 9 - 7 |
| G070 1070 | Fan Duct | 37 - 5 |
| G070 1074 | Cover Hinge | 47 - 27 |
| G070 1075 | Left Cover Hinge | 47 - 1 |
| G070 1077 | Sound Proofing - Cover Filter | 9 - 8 |
| G070 1083 | Duct Shield | 41 - 8 |
| G070 1084 | Filter Cover | 9 - 9 |
| G070 1085 | Upper Charge Duct | 41 - 6 |
| G070 1086 | Lower Charge Duct | 41 - 7 |
| G070 1087 | Support Plate - Front Right | 45 - 28 |
| G070 1092 | Lower Shield - PCU Rail | 47 - 32 |
| G070 1093 | Front Lower Middle Shield | 27 - 31 |
| G070 1094 | Lower Shield - Front Left | 27 - 30 |
| G070 1096 | Vertical Filter Cover Seal - 7x60 | 9 - 30 |
| G070 1097 | Rear Filter Cover Seal-7x16x2 | 9 - 31 |
| G070 1098 | Front Filter Cover Seal-5x105x2 | 9 - 32 |
| G070 1099 | Middle Filter Cover Seal-5x53x3 | 9 - 33 |

| Part No. | Description | Page and Index No. |
|-----------|-----------------------------------|--------------------|
| G070 1100 | Lower Duct Seal | 41 - 21 |
| G070 1101 | Upper Duct Seal - 90x10x4 | 41 - 22 |
| G070 1102 | Middle Duct Seal - 10x70x4 | 41 - 23 |
| G070 1103 | Latch Duct Seal - 12x20 | 41 - 24 |
| G070 1104 | PCU Rail Seal - 3x30x5 | 47 - 29 |
| G070 1105 | PCU Rail Seal - 9x19x5 | 47 - 30 |
| G070 1107 | Grip | 47 - 3 |
| G070 1107 | Grip | 39 - 8 |
| G070 1108 | Right Grip | 39 - 12 |
| G070 1108 | Right Grip | 47 - 26 |
| G070 1109 | Grip Bracket - Left | 47 - 2 |
| G070 1109 | Grip Bracket - Left | 39 - 20 |
| G070 1110 | Grip Bracket - Rear Light | 39 - 13 |
| G070 1180 | Right Cover Hook | 47 - 23 |
| G070 1196 | Right Link - Transport Cover | 19 - 2 |
| G070 1197 | Gap Gear Guide | 11 - 8 |
| G070 1250 | Front Door | 7 - 12 |
| G070 1253 | Magnet Catch - Front Cover | 7 - 16 |
| G070 1260 | Front Right Cover | 7 - 10 |
| G070 1261 | Duplex Cap | 7 - 9 |
| G070 1262 | Duplex Small Cap | 7 - 8 |
| G070 1265 | Rear Right Cover | 7 - 7 |
| G070 1271 | Left Cover | 9 - 1 |
| G070 1281 | Right Cover Guide - By-pass Feed | 21 - 14 |
| G070 1290 | Development Unit Cover | 9 - 4 |
| G070 1291 | Left Cover Hook | 9 - 2 |
| G070 1293 | Bushing - Left Cover Hook | 9 - 3 |
| G070 1312 | Paper Exit Cover | 9 - 13 |
| G070 1320 | Upper Exit Cover | 9 - 12 |
| G070 1322 | Film - Paper Feed Sensor | 9 - 35 |
| G070 1330 | Exit Cover | 7 - 5 |
| G070 1335 | Exit Right Cover | 7 - 6 |
| G070 1340 | Rear Cover | 9 - 5 |
| G070 1353 | Rear Right Cover Hook | 19 - 8 |
| G070 1354 | Front Support Plate - Right Cover | 19 - 5 |

| Part No. | Description | Page and Index No. |
|-----------|----------------------------------|--------------------|
| G070 1356 | Rear Support Plate - Right Cover | 19 - 7 |
| G070 1357 | Right Cover | 19 - 6 |
| G070 1359 | Right Cover - Vertical Transport | 21 - 30 |
| G070 1361 | Un Lock Hook | 19 - 11 |
| G070 1370 | Left Inner Cover | 7 - 2 |
| G070 1375 | Development Inner Cover | 7 - 3 |
| G070 1380 | Inner Cover - Lower Right | 7 - 11 |
| G070 1397 | Operation Sheet | 7 - 14 |
| G070 1855 | Imaging Unit | 23 - 6 |
| G070 1902 | Positioning Pin | 23 - 18 |
| G070 1903 | Shield Glass | 23 - 16 |
| G070 1925 | Sync Detector Holder | 23 - 12 |
| G070 1941 | Cover | 23 - 1 |
| G070 1942 | Front Cover Shield | 23 - 2 |
| G070 1952 | Shield Glass Cover | 23 - 7 |
| G070 1953 | Cleaner Shaft | 23 - 20 |
| G070 1954 | Cleaner Holder | 23 - 8 |
| G070 1955 | Cleaner | 23 - 21 |
| G070 1956 | Cleaner Grip | 23 - 19 |
| G070 1971 | LD Unit Cover | 23 - 4 |
| G070 1972 | Cover Bracket - LD Unit | 23 - 5 |
| G070 1975 | Polygon Scanner | 23 - 9 |
| G070 1981 | Flat Cable Cover | 43 - 19 |
| G070 2050 | Charge Section Assembly | 25 - 42 |
| G070 2096 | Feeler | 45 - 9 |
| G070 2100 | OPC Belt Waste Toner Bottle | 25 - 2 |
| G070 2107 | Waste Toner Bottle Bracket | 45 - 10 |
| G070 2110 | Corona Wire:Charge Corona | 25 - 10 |
| G070 2118 | Connector Holder | 45 - 1 |
| G070 2119 | Front Positioning Plate | 25 - 16 |
| G070 2120 | Raer Positioning Plate | 25 - 17 |
| G070 2124 | Charge Corona Terminal | 45 - 5 |
| G070 2126 | Terminal holder | 45 - 3 |
| G070 2131 | Charge Corona Terminal Ass'y | 45 - 34 |
| G070 2135 | Charge Ground Plate | 47 - 18 |

| Part No. | Description | Page and Index No. |
|-----------|------------------------------------|--------------------|
| G070 2136 | Grid Shading Plate | 25 - 27 |
| G070 2138 | Charge Spring | 45 - 4 |
| G070 2156 | Charge Corona Grid | 25 - 13 |
| G070 2159 | Front End Block Cover | 25 - 28 |
| G070 2160 | Rear End Block Cover | 25 - 29 |
| G070 2161 | Rear Bracket - Grid Plate | 25 - 30 |
| G070 2162 | Spring Plate - Gridtension | 25 - 31 |
| G070 2163 | Spring Plate - Screw Shaft | 25 - 32 |
| G070 2164 | Spacer - End Block | 25 - 43 |
| G070 2165 | Cleaner Screw Shaft | 25 - 39 |
| G070 2166 | Cleaner Slider - Charge Corona | 25 - 33 |
| G070 2167 | Charge Corona Cleaner Holder | 25 - 15 |
| G070 2168 | Charge Corona Cleaner | 25 - 34 |
| G070 2174 | Knob Screw - Charge Corona | 25 - 26 |
| G070 2176 | Wire Cleaning Motor | 25 - 7 |
| G070 2318 | PCU Drive Joint | 25 - 6 |
| G070 2335 | Front Lower Guide | 47 - 28 |
| G070 2336 | PCU Grounding Plate | 45 - 6 |
| G070 2344 | Grip Belt - PCU | 25 - 19 |
| G070 2358 | Flanged Hexagonal Head Bolt -M4x14 | 25 - 4 |
| G070 2370 | Upper Support Stay | 47 - 13 |
| G070 2371 | PCU Upper Rail | 47 - 14 |
| G070 2372 | PCU Lower Rail | 47 - 12 |
| G070 2373 | PCU Upper Decal | 67 - 7 |
| G070 2373 | PCU Upper Decal | 7 - 15 |
| G070 2374 | Decal - Machine Guide | 7 - 21 |
| G070 2374 | Decal - Machine Guide | 67 - 8 |
| G070 2375 | Decal - PCU Positioning | 67 - 9 |
| G070 2573 | Registration Guide | 11 - 18 |
| G070 2577 | Registration Sensor Bracket | 11 - 16 |
| G070 2583 | Right Guide Plate | 21 - 22 |
| G070 2584 | Grounding Plate | 21 - 21 |
| G070 2585 | Registration Driven Cleaner | 21 - 32 |
| G070 2606 | Guide Plate | 19 - 12 |
| G070 2607 | Guide Plate - Vertical Transport | 19 - 3 |

| Part No. | Description | Page and Index No. |
|-----------|------------------------------------|--------------------|
| G070 2608 | Leading Edghe Guide | 19 - 4 |
| G070 2620 | Right Rail | 47 - 24 |
| G070 2622 | Right Rail Shoe | 47 - 31 |
| G070 2624 | Left Shoe | 47 - 7 |
| G070 2631 | Paper Size Sensor Bracket | 37 - 9 |
| G070 2637 | Feeler Holder - Vertical Transport | 45 - 23 |
| G070 2638 | Vertical Transport Feeler | 45 - 24 |
| G070 2642 | Paper End Sensor Bracket | 45 - 18 |
| G070 2643 | Sensor Front Bracket | 45 - 22 |
| G070 2644 | Sensor Rear Bracket | 45 - 19 |
| G070 2645 | Release Lever | 45 - 16 |
| G070 2646 | Paper End Sensor Feeler | 45 - 14 |
| G070 2647 | Feeler - Paper Bolume Sensor | 45 - 17 |
| G070 2700 | Paper Tray Ass'y | 17 - * |
| G070 2710 | Paper Size Sensor Link | 17 - 20 |
| G070 2711 | Base Stopper | 17 - 12 |
| G070 2712 | Front Side Fence | 17 - 1 |
| G070 2713 | Spring Plate Stopper | 17 - 25 |
| G070 2714 | Front Lever - Stopper | 17 - 24 |
| G070 2716 | Rear Side Fence | 17 - 6 |
| G070 2717 | Rear Lever Stopper | 17 - 27 |
| G070 2719 | Ground Plate- Bottom Plate | 17 - 13 |
| G070 2722 | Friction Pad | 17 - 16 |
| G070 2725 | Grounding Plate | 17 - 10 |
| G070 2726 | Paper Feed Roller Shaft | 17 - 15 |
| G070 2728 | Joint - Feed Roller Shaft | 17 - 7 |
| G070 2730 | Decal - Paper Set Direction | 17 - 21 |
| G070 2730 | Decal - Paper Set Direction | 67 - 10 |
| G070 3231 | Frontside Plate | 27 - 28 |
| G070 3232 | Rear Side Plate | 27 - 5 |
| G070 3233 | Side Plate - Front Left | 27 - 14 |
| G070 3236 | Development Vias Terminal | 27 - 11 |
| G070 3237 | Damper Cover | 27 - 27 |
| G070 3239 | Compression Spring | 27 - 6 |
| G070 3240 | Spring Cap | 27 - 19 |

| Part No. | Description | Page and Index No. |
|-----------|------------------------------------|--------------------|
| G070 3248 | Damper - Development Roller | 27 - 26 |
| G070 3291 | Doctor Blade Terminal | 27 - 2 |
| G070 3292 | Doctor Blade Terminal | 27 - 4 |
| G070 3293 | Terminal Cover - Doctor Blade | 27 - 1 |
| G070 3295 | Bias Terminal Cover | 27 - 9 |
| G070 3501 | Development Unit - M Ass'y | 27 - 22 |
| G070 3502 | Development Unit - Y Ass'y | 27 - 20 |
| G070 3503 | Development Unit - C Ass'y | 27 - 21 |
| G070 4004 | Pick-off Pawl - Pressure Roller | 29 - 1 |
| G070 4005 | Fusing Unit - Fusing Belt Assembly | 31 - * |
| G070 4050 | Lower Pressure Roller Stay | 31 - 24 |
| G070 4051 | Thermistor Holder | 31 - 1 |
| G070 4052 | Fusing Entrance Guide Plate | 31 - 23 |
| G070 4062 | Front Oil Pan - Pressure Unit | 31 - 31 |
| G070 4063 | Rear Oil Pan - Pressure Unit | 31 - 28 |
| G070 4064 | Spring Plate - Pressure Unit | 31 - 30 |
| G070 4065 | Front Oil Absorber | 31 - 32 |
| G070 4066 | Rear Oil Absorber | 31 - 29 |
| G070 4069 | Oil Tank - Pressure Sub-unit | 31 - 27 |
| G070 4072 | Front Oil Tank Absorber | 31 - 37 |
| G070 4073 | Front Oil Tank Absorber | 31 - 26 |
| G070 4074 | Oil Tank Absorber - Long | 31 - 33 |
| G070 4087 | Rubber Shield - 4x8x3 | 31 - 11 |
| G070 4106 | Guide Plate - Fusing Exit | 29 - 11 |
| G070 4114 | Front Stopper - Oil Supply Unit | 31 - 15 |
| G070 4116 | Belt Tension Lever | 31 - 14 |
| G070 4118 | Sensor Holder | 31 - 16 |
| G070 4120 | Heat Insulation - Sensor Holder | 31 - 36 |
| G070 4130 | Fusing Lower Cover | 29 - 19 |
| G070 4132 | Front Electrode Plate | 29 - 14 |
| G070 4135 | Rearelectrode Plate | 29 - 15 |
| G070 4136 | Spring Plate - Front Fusing Cover | 29 - 22 |
| G070 4137 | Spring Plate - Rear Fusing Cover | 29 - 23 |
| G070 4138 | Front Oil Absorber Felt | 29 - 21 |
| G070 4141 | Connecting Electrode Plate | 29 - 16 |

| Part No. | Description | Page and Index No. |
|-----------|-------------------------------------|--------------------|
| G070 4143 | Rear Pressure Terminal Electrode | 29 - 18 |
| G070 4147 | Fusing Knob | 31 - 6 |
| G070 4148 | Shaft Support Plate | 29 - 9 |
| G070 4150 | Fusing Upper Cover | 29 - 10 |
| G070 4152 | Rear Stopper - Oil Supply Unit | 31 - 18 |
| G070 4221 | Fusing Belt Upper Stay | 29 - 12 |
| G070 4300 | Fusing Unit Rail | 47 - 17 |
| G070 4302 | Fusing Unit Rail | 47 - 16 |
| G070 4310 | Connector Bracket | 43 - 14 |
| G070 4313 | Holder - Oil Supply roller | 43 - 11 |
| G070 4314 | Roller Terminal - Oil Supply | 43 - 12 |
| G070 4316 | Terminal Cover - Oil Supply Roller | 43 - 10 |
| G070 4317 | Spring Plate - Oil Supply Roller | 43 - 9 |
| G070 4320 | Spring Holder | 43 - 7 |
| G070 4455 | Exit Guide Plate | 33 - 7 |
| G070 4458 | Edit Grounding Plate | 33 - 8 |
| G070 4459 | Roller - 9mm | 33 - 16 |
| G070 4461 | Spring Plate - Tension Roller | 33 - 21 |
| G070 4462 | Clip - Discharge Brush | 33 - 38 |
| G070 4466 | Spring Plate - Outer Tension Roller | 33 - 14 |
| G070 4472 | Overflow Shaft | 33 - 2 |
| G070 4476 | Fusing Exit Feeler | 33 - 34 |
| G070 4477 | Bracket - Fusing Exit Feeler | 33 - 30 |
| G070 4478 | Spring - Fusing Exit Feeler | 33 - 36 |
| G070 4481 | Guide Plate - Fusing Exit | 33 - 25 |
| G070 4486 | Sensor Bracket - Fusing Exit | 33 - 31 |
| G070 4490 | 4 Bin Front Bracket | 33 - 23 |
| G070 4491 | 4 Bin Rrar Bracket | 33 - 13 |
| G070 4492 | Grounding Plate - Fusing Exit | 33 - 29 |
| G070 4495 | Exit Angle | 33 - 11 |
| G070 4496 | Seal - Exit | 33 - 37 |
| G070 4605 | Color Shaft - Development | 27 - 29 |
| G070 4607 | Development Shaft - FC | 27 - 10 |
| G070 4611 | Development Drive Bracket | 35 - 10 |
| G070 4700 | Drive Case - Assembly | 35 - 1 |

| Part No. | Description | Page and Index No. |
|-----------|--------------------------------|--------------------|
| G070 4731 | Spring Plate - Brushless Motor | 35 - 14 |
| G070 4732 | Fly Wheel - 140mm | 35 - 4 |
| G070 4741 | Tightener Assembly | 37 - 8 |
| G070 4800 | Transport Bracket Assembly | 37 - 1 |
| G070 4801 | Transport Bracket | 37 - 40 |
| G070 4806 | Fusing Inner Bracket | 37 - 39 |
| G070 4810 | Swivel Bracket | 37 - 15 |
| G070 4818 | Cleaning On/Off Cam | 37 - 32 |
| G070 4820 | DC Solenoid - Belt Cleaning | 37 - 31 |
| G070 4821 | DC Solenoid - Transfer Roller | 37 - 17 |
| G070 4823 | Spring Spacer | 37 - 34 |
| G070 4825 | Arm Bracket | 37 - 22 |
| G070 4828 | Hook Bracket | 47 - 22 |
| G070 4829 | On/Off Cam - Second Brake | 37 - 23 |
| G070 4832 | Second Shaft - On/Off | 37 - 36 |
| G070 4834 | Cam Roller | 37 - 37 |
| G070 4850 | Gear - 33Z/27Z | 37 - 21 |
| G070 4851 | Gear - 25Z/36Z | 37 - 16 |
| G070 4903 | Drive Bracket - Paper Feed | 39 - 16 |
| G070 4906 | Magnetic Clutch Bracket | 39 - 11 |
| G070 4907 | Feed Drive Shaft | 39 - 9 |
| G070 4908 | Paper Feed Tightener | 39 - 5 |
| G070 4920 | Exit Drive Bracket | 33 - 12 |
| G070 5057 | Power Supply Unit - 230V | 43 - 17 |
| G070 5120 | BCU Board | 43 - 6 |
| G070 5120 | BCU Board | 53 - * |
| G070 5171 | IC - GAPC-RF5C605 | 53 - 2 |
| G070 5214 | IOB Board | 57 - * |
| G070 5214 | I/O Board | 43 - 1 |
| G070 5240 | Sync Detector Board | 23 - 13 |
| G070 5260 | Front Toner End Sensor | 27 - 25 |
| G070 5270 | Rear Toner End Sensor | 27 - 3 |
| G070 5281 | ID Sensor Board | 27 - 8 |
| G070 5285 | Harness - ID Sensor Board | 27 - 7 |
| G070 5301 | Harness - Bcu-iob | 43 - 3 |

| Part No. | Description | Page and Index No. |
|-----------|----------------------------------|--------------------|
| G070 5302 | Harness - Bcu-ppi | 43 - 21 |
| G070 5302 | Harness - BCU-PPI | 45 - 32 |
| G070 5303 | Connecting Harness - Fusing Exit | 33 - 33 |
| G070 5304 | Harness - IOB-Transport M | 35 - 8 |
| G070 5304 | Harness - IOB-Transport M | 37 - 4 |
| G070 5305 | Toner End Sensor Harness | 43 - 4 |
| G070 5307 | Discharge Harness | 45 - 2 |
| G070 5309 | Paper Feed Harness | 45 - 20 |
| G070 5310 | Registration Sensor Harness | 11 - 14 |
| G070 5311 | Intermediate Transfer Harness | 43 - 5 |
| G070 5315 | Harness - IOB 24V | 9 - 29 |
| G070 5317 | Harness - IOB-OPC | 35 - 3 |
| G070 5319 | Relay Harness - Operation Panel | 43 - 22 |
| G070 5320 | Harness - LDB-LD5V | 9 - 28 |
| G070 5321 | Harness - BCU-LD Power | 23 - 17 |
| G070 5322 | Polygon Motor Harness | 23 - 10 |
| G070 5323 | AC Harness - Fusing Unit (120V) | 43 - 15 |
| G070 5325 | Harness - FFC-LD | 23 - 14 |
| G070 5330 | By-pass Feed Unit Harness | 41 - 19 |
| G070 5332 | Fusing AC Harness - 120V | 29 - 17 |
| G070 5337 | Gate Relay Harness | 41 - 20 |
| G070 5341 | Bank Relay Harness | 43 - 23 |
| G070 5342 | Harness - LD Control Board-sync | 23 - 15 |
| G070 5351 | High Boltage Harness - T2 | 45 - 30 |
| G070 5351 | High Boltage Harness - T2 | 39 - 21 |
| G070 5353 | High Boltage Harness - B2 | 27 - 12 |
| G070 5356 | Separation Bias Wire | 21 - 2 |
| G070 5360 | AC Harness - Fusing Unit (230V) | 43 - 15 |
| G070 5361 | Fusing AC Harness - 230V | 29 - 17 |
| G070 5363 | Doctor Blade Bias Harness | 27 - 23 |
| G070 5364 | Harness - BCU-ID | 27 - 24 |
| G070 5365 | DC Power Supply Harness | 43 - 20 |
| G070 5366 | Paper Size Sensor Harness | 37 - 41 |
| G070 5367 | Wire - Operation Panel | 7 - 18 |
| G070 5368 | High Voltage Harness | 45 - 31 |

| Part No. | Description | Page and Index No. |
|-----------|------------------------------------|--------------------|
| G070 5368 | High Voltage Harness | 43 - 13 |
| G070 5369 | High Voltage Harness -Dischage Pin | 45 - 29 |
| G070 5370 | Ground Wire - 2nd Transfer Arm | 21 - 31 |
| G070 5469 | Front Rack | 41 - 16 |
| G070 5486 | Application Rear Rack | 41 - 15 |
| G070 5502 | Shielding Plate | 37 - 12 |
| G070 5503 | Power Supply Unit Cover | 43 - 18 |
| G070 5516 | BCU Bracket | 43 - 16 |
| G070 5523 | Application Middle Bracket | 41 - 9 |
| G070 5526 | Application Right Middle Bracket | 41 - 11 |
| G070 5527 | Card Cover | 41 - 12 |
| G070 5529 | Stud - M3x40x6 | 41 - 13 |
| G070 5531 | I/O Base Bracket | 43 - 2 |
| G070 5541 | Connector Bracket | 41 - 5 |
| G070 5542 | Sensor Bracket | 41 - 2 |
| G070 5543 | Harness Guide | 35 - 13 |
| G070 5556 | Slide Switch Cover | 47 - 8 |
| G070 5557 | Switch Link - Power Source | 47 - 11 |
| G070 5558 | Switch Bracket - Power Source | 47 - 9 |
| G070 5559 | Small Link - Power Source | 47 - 10 |
| G070 5561 | Lower Case - Safety Switch | 9 - 21 |
| G070 5562 | Upper Case - Safety Switch | 9 - 16 |
| G070 5563 | Link Middle Lever | 9 - 19 |
| G070 5564 | Link Outer Lever | 9 - 22 |
| G070 5565 | Right Tension Spring | 9 - 17 |
| G070 5566 | Right Tension Spring | 9 - 20 |
| G070 5567 | Left Tension Spring | 47 - 6 |
| G070 5568 | Right Link - Safety Switch | 9 - 18 |
| G070 5569 | Left Link - Safety Switch | 47 - 5 |
| G070 5570 | Link Middle Lever - Left | 9 - 23 |
| G070 5571 | Left Bracket - Door Switch | 47 - 4 |
| G070 5573 | Rear Link Lever | 9 - 24 |
| G070 5574 | Link Lever - Rear Right | 9 - 25 |
| G070 5575 | Compression Spring | 9 - 26 |
| G070 5576 | Cushion - Safety Switch | 9 - 34 |

| Part No. | Description | Page and Index No. |
|-----------|------------------------------------|--------------------|
| G070 5620 | Operation panel Assembly (LT) | 7 - 4 |
| G070 5630 | Operation panel Assembly (A4) | 7 - 4 |
| G070 5844 | Print Control Board | 41 - 14 |
| G070 5844 | Printer Control Board | 63 - * |
| G070 5851 | ROM-DIMM PCB-PS/PCL | 41 - 10 |
| G070 6145 | Slide Rail | 11 - 1 |
| G070 6150 | Left Lower Rail | 11 - 4 |
| G070 6152 | Right Lower Rail | 11 - 6 |
| G070 6157 | Slide Rail Stopper | 11 - 3 |
| G070 6158 | Power Supply Unit Cover | 11 - 5 |
| G070 6161 | Positioning Sensor Plate | 45 - 33 |
| G070 6165 | Terminal | 45 - 27 |
| G070 6166 | Terminal Holder | 45 - 26 |
| G070 6170 | Stopper Bracket | 11 - 19 |
| G070 6173 | Screw - M3 | 11 - 20 |
| G070 6174 | Knob Screw - M4 | 11 - 17 |
| G070 6175 | Grounding Plate - Slide Rail | 11 - 2 |
| G070 6200 | Transfer Roller | 21 - 17 |
| G070 6201 | Transfer Roller | 21 - 18 |
| G070 6202 | Transfer Roller Bushing | 21 - 15 |
| G070 6204 | Transfer Unit Frame | 21 - 4 |
| G070 6205 | Frame Stay | 21 - 6 |
| G070 6206 | Transfer Roller Holder | 21 - 16 |
| G070 6210 | Rear Grounding Plate | 21 - 7 |
| G070 6218 | Transfer Roller Terminal | 21 - 9 |
| G070 6220 | Separation Terminal | 21 - 11 |
| G070 6221 | Transfer Unit Stopper | 21 - 29 |
| G070 6223 | Transfer/separation Receptacle | 39 - 1 |
| G070 6227 | Grounding Plate Bracket | 47 - 21 |
| G070 6229 | Vertical Transport Sheet | 21 - 13 |
| G070 6231 | Transport Guide W/T Discharge Pins | 21 - 3 |
| G070 6236 | Collar - 8x11x10 | 21 - 19 |
| G070 6238 | Front Arm | 21 - 10 |
| G070 6239 | Rear Arm | 21 - 1 |
| G070 6240 | Arm Shaft | 21 - 5 |

| Part No. | Description | Page and Index No. |
|-----------|----------------------------------|--------------------|
| G070 6243 | Terminal Cover Sheet | 21 - 8 |
| G070 6245 | Entrance Guide | 21 - 20 |
| G070 6300 | Belt Cleaning Assembly | 25 - 41 |
| G070 6310 | Transfer Belt Waste Toner Bottle | 25 - 3 |
| G070 6394 | Rear Bracket - ITB Cleaning Unit | 25 - 21 |
| G070 6405 | On/Off Rail | 47 - 19 |
| G070 6406 | Grounding Plate - Belt Cleaning | 47 - 20 |
| G070 6407 | Bracket - Waste Toner Sensor | 45 - 12 |
| G070 9099 | Total Counter | 41 - 26 |
| G070 9502 | Tray Heater Kit - 120V 9W±1W | 9 - 36 |
| G070 9503 | Tray Heater Kit - 230V 9W±1W | 9 - 36 |
| G304 5331 | By-pass Feed Unit Harness | 15 - 38 |
| G304 5332 | Grounding Wire Harness | 15 - 29 |
| G304 6804 | By-pass Feed Housing | 15 - 31 |
| G304 6808 | Separator Guide Plate | 15 - 5 |
| G304 6810 | Driven Shaft | 15 - 22 |
| G304 6811 | Hexagonal Set Screw - M3x8 | 13 - 3 |
| G304 6813 | Decal - By-pass Feed Direction | 13 - 8 |
| G304 6813 | Decal - By-pass Feed Direction | 67 - 12 |
| G304 6828 | Guide Plate - Drive Gear | 15 - 25 |
| G304 6829 | Tightener Arm | 15 - 10 |
| G304 6832 | Transmission Drive Bracket | 15 - 9 |
| G304 6839 | Manual Feed Table | 13 - 10 |
| G304 6840 | By-pass Feed Table Cover | 13 - 11 |
| G304 6841 | Front Side Fence | 13 - 6 |
| G304 6842 | Rear Side Fence | 13 - 7 |
| G304 6847 | Rear Cover - By-pass Feed | 13 - 5 |
| G304 6848 | Upper Cover - By-pass Feed | 13 - 4 |
| G304 6859 | Front Cover - By-pass Feed | 13 - 1 |
| G304 6867 | Lower Cover | 15 - 19 |
| G304 6868 | Hinge Lock | 13 - 2 |
| G568 2702 | Stepper Motor - DC4.42W | 39 - 14 |

| Part No. | Description | Page and Index No. |
|-----------|--------------------------|--------------------|
| N803 1000 | Case - Flash Memory Card | 69 - 4 |
| N803 6701 | Flash Memory Card - 4MB | 69 - 3 |

| Part No. | Description | Page and Index No. |
|-----------|----------------------------------|--------------------|
| AA00 0217 | Decal - LD 655 | 67 - 1 |
| AA00 0217 | Decal - LD 655 | 23 - 3 |
| AA00 0301 | Decal Warning (High Temperature) | 33 - 35 |
| AA00 0301 | Decal Warning (High Temperature) | 67 - 2 |
| AA00 3013 | Grip Decal | 67 - 4 |
| AA00 3013 | Grip Decal | 29 - 8 |
| AA00 3016 | Grip Decal | 67 - 5 |
| AA00 3016 | Grip Decal | 29 - 3 |
| AA01 0113 | Ozone Filter | 9 - 10 |
| AA01 2120 | Exhaust Filter | 9 - 11 |
| AA04 3566 | Timing Belt - 117TS2M | 37 - 6 |
| AA04 3567 | Timing Belt - 120TS2M | 39 - 3 |
| AA04 3568 | Timing Belt - 480TS3M | 39 - 19 |
| AA06 0866 | Lever Spring | 17 - 11 |
| AA06 0866 | Lever Spring | 45 - 15 |
| AA06 0868 | Tension Spring | 35 - 5 |
| AA06 0869 | Tension Spring | 39 - 6 |
| AA06 0872 | Spring | 15 - 12 |
| AA06 0875 | Belt Tension Spring | 31 - 13 |
| AA06 0876 | Tension Spring | 31 - 25 |
| AA06 0881 | Tension Spring | 37 - 2 |
| AA06 3401 | Spring | 15 - 34 |
| AA06 3402 | Spring | 19 - 9 |
| AA06 3499 | Pressure Spring | 15 - 27 |
| AA06 3563 | Spring | 21 - 28 |
| AA06 3568 | Pressure Spring | 15 - 39 |
| AA06 3628 | Spring - 5.9N/16.6N | 17 - 5 |
| AA06 3629 | Spring - 2.8N | 17 - 17 |
| AA06 3630 | Spring | 17 - 8 |
| AA06 3631 | Spring - 20N | 21 - 25 |
| AA06 3647 | Compression Spring | 37 - 33 |
| AA06 3865 | Spring - Oiling Roller | 31 - 7 |
| AA06 3865 | Spring - Oiling Roller | 31 - 9 |
| AA06 3876 | Transfer Unit Spring -10n | 21 - 12 |
| AA06 3895 | Spring - Oil Supply Roller | 43 - 8 |

| Part No. | Description | Page and Index No. |
|-----------|-----------------------------|--------------------|
| AA06 6633 | Spring | 45 - 25 |
| AA06 9261 | Stripper Pawl Spring | 29 - 13 |
| AA08 0254 | Bushing - M4 | 21 - 27 |
| AA08 0254 | Bushing - M4 | 15 - 33 |
| AA08 0259 | Bushing | 21 - 24 |
| AA08 0271 | Bushing | 11 - 13 |
| AA08 2101 | Bushing - 6x10x6 | 33 - 5 |
| AA08 2101 | Bushing - 6x10x6 | 37 - 38 |
| AA08 2101 | Bushing - 6x10x6 | 15 - 4 |
| AA08 2101 | Bushing - 6x10x6 | 11 - 9 |
| AA08 2104 | Bushing - 8x12x7 | 39 - 10 |
| AA08 3018 | Roller Clutch - 6x14x10 | 15 - 26 |
| AA12 0103 | Discharge Brush | 33 - 3 |
| AA12 0113 | Discharge Brush | 33 - 28 |
| AA14 0741 | Drive Shaft | 15 - 21 |
| AA14 0742 | Feed Shaft | 15 - 16 |
| AA14 3493 | Screw | 19 - 1 |
| AA14 3524 | Knob Screw - M4 | 29 - 2 |
| AA14 5544 | Second Drive Shaft | 37 - 18 |
| AA14 5546 | Cleaning On/Off Shaft | 37 - 27 |
| AA14 5547 | Cleaning Drive Shaft | 37 - 25 |
| AA14 9731 | Knob Screw | 41 - 25 |
| AA16 1153 | Cushion - Stepper Motor | 39 - 15 |
| AB01 0087 | Gear - 20Z | 25 - 8 |
| AB01 0353 | Idler Gear - 67Z | 35 - 12 |
| AB01 1222 | Separation Drive Gear - 22Z | 15 - 14 |
| AB01 1223 | Idler Gear - 25Z | 15 - 11 |
| AB01 1224 | Gear - 28Z | 15 - 13 |
| AB01 1225 | Gear - 28Z | 11 - 10 |
| AB01 1229 | Gear - 19Z | 33 - 9 |
| AB01 1230 | Gear - 14Z | 33 - 27 |
| AB01 1387 | Gear - 23Z | 15 - 18 |
| AB01 1416 | Gear - 20Z | 15 - 20 |
| AB01 1417 | Gear - Separation Driven | 15 - 35 |
| AB01 1421 | Gear - 32Z | 11 - 7 |

| Part No. | Description | Page and Index No. |
|-----------|---------------------------------|--------------------|
| AB01 1425 | Gear - 27Z | 33 - 10 |
| AB01 1435 | Gear - 47Z | 31 - 21 |
| AB01 1436 | Gear - 36Z | 31 - 12 |
| AB01 1437 | Gear - 18Z | 37 - 35 |
| AB01 1472 | Gear - 20Z | 25 - 35 |
| AB01 1473 | Gear - 13Z | 25 - 36 |
| AB01 1474 | Gear - 24Z | 25 - 37 |
| AB01 1475 | Gear - 21Z | 25 - 25 |
| AB01 1476 | Idler Gear - 35Z | 25 - 38 |
| AB01 4208 | Gear - 49Z | 37 - 30 |
| AB01 4209 | Gear - 30Z | 37 - 20 |
| AB01 4210 | Gear - 33Z | 37 - 19 |
| AB01 4215 | Idler Gear - 20Z | 25 - 22 |
| AB01 4224 | Idler Gear - 19Z | 25 - 23 |
| AB01 7554 | Gear - 98Z/20T | 37 - 13 |
| AB01 7555 | Timing Pulley - 24Z/34T | 37 - 7 |
| AB01 7556 | Gear - 24Z/53Z | 37 - 29 |
| AB01 7557 | Grar - 65Z/20Z | 37 - 26 |
| AB01 7560 | Gear - 40Z/42Z | 39 - 7 |
| AB01 7561 | Gear - 33Z/30T | 39 - 4 |
| AB01 7562 | Gear - 32Z/33T | 39 - 18 |
| AB01 7563 | Gear - 58Z/37Z | 39 - 17 |
| AB01 7565 | Gear - 93Z/42Z | 35 - 11 |
| AB01 7570 | Idler Gear - 28Z/35Z | 31 - 22 |
| AB01 7595 | Doble Gear - 15Z/23Z | 25 - 20 |
| AB01 7631 | Gear - 26Z | 25 - 24 |
| AB04 0018 | Spring Clutch - 27Z | 37 - 28 |
| AB04 0018 | Spring Clutch - 27Z | 37 - 14 |
| AE02 0119 | Pressure Roller - Assembly | 31 - 20 |
| AE03 0050 | Ball Bearing - 20x32x7 | 31 - 19 |
| AE03 1054 | Bushing -4x8x8.5 | 31 - 8 |
| AE03 1055 | Bushing -4x9x13 | 31 - 10 |
| AE04 0037 | Oil Apply Roller - Oil Supply | 31 - 35 |
| AE04 0050 | Oil Supply Roller - Oil Supply | 31 - 34 |
| AE04 4041 | Stripper Pawl - Pressure Roller | 29 - 6 |

| Part No. | Description | Page and Index No. |
|-----------|------------------------------------|--------------------|
| AF01 1047 | Tray Bottom Plate | 17 - 3 |
| AF01 3016 | Bottom Plate Pad | 15 - 6 |
| AF01 6097 | Front Side Fence | 17 - 26 |
| AF01 6098 | Rear Side Fence | 17 - 28 |
| AF01 7025 | End Fence | 17 - 2 |
| AF02 0409 | Driven Roller | 15 - 32 |
| AF02 0536 | Registration Drive Roller | 11 - 12 |
| AF02 0537 | Drive Roller - Vertical Transport | 11 - 11 |
| AF02 0543 | Drive Roller - By-pass Feed | 15 - 7 |
| AF02 0545 | Transport Exit Roller | 33 - 4 |
| AF02 0546 | Fusing Exit Roller | 33 - 24 |
| AF02 1068 | Registration Driven Roller - 14mm | 21 - 23 |
| AF02 2112 | Driven Roller | 33 - 17 |
| AF03 0022 | Pickup Roller | 15 - 17 |
| AF03 1059 | Paper Feed Roller - 36mm | 17 - 18 |
| AF03 2046 | Separation Roller - Manual Feed | 15 - 2 |
| AF04 0566 | Tension Roller | 33 - 20 |
| AF04 0567 | Tension Roller | 33 - 15 |
| AG07 0014 | Magnet Catch | 7 - 1 |
| AG07 0014 | Magnet Catch | 9 - 14 |
| AW01 0049 | Photo Reflection Sensor | 11 - 15 |
| AW01 0096 | Positioning Sensor - Transfer Belt | 45 - 7 |
| AW01 0097 | Density Sensor | 47 - 15 |
| AW02 0056 | Photointerruptor - EE-SX4235A-P1 | 15 - 23 |
| AW02 0056 | Photointerruptor - EE-SX4235A-P1 | 33 - 32 |
| AW02 0120 | Photointerruptor - Flat | 45 - 13 |
| AW02 0120 | Photointerruptor - Flat | 33 - 18 |
| AW10 0061 | Pressure Thermistor | 31 - 4 |
| AW14 0010 | Temperature/Humidity Sensor | 41 - 1 |
| AW50 0023 | Push Switch | 9 - 15 |
| AW50 0023 | Push Switch | 29 - 7 |
| AW50 0023 | Push Switch | 33 - 19 |
| AW50 0023 | Push Switch | 45 - 11 |
| AW50 0024 | Push Switch | 37 - 11 |
| AX06 0224 | Brushless Motor - DC8.8W 9Z | 35 - 2 |

| Part No. | Description | Page and Index No. |
|-----------|------------------------------|--------------------|
| AX06 0225 | Brushless Motor - DC26W 10Z | 37 - 3 |
| AX06 0230 | Brushless Motor - DC26W 9Z | 35 - 9 |
| AX20 0224 | Magnetic Clutch - 0.4nm 46Z | 39 - 2 |
| AX20 0230 | Magnetic Clutch - 245mm 35Z | 15 - 15 |
| AX20 0236 | Magnetic Clutch - 32Z | 37 - 24 |
| AX21 0078 | Magnetic Clutch | 35 - 6 |
| AX21 0079 | Magnetic Clutch | 35 - 7 |
| AX43 0078 | Fusing Lamp - 120V 350W | 31 - 3 |
| AX43 0079 | Fusing Lamp - 230V 350W | 31 - 3 |
| AX44 0161 | Fusing Lamp - 120V 770W | 31 - 2 |
| AX44 0162 | Fusing Lamp - 230V 770W | 31 - 2 |
| AX64 0103 | Fan Motor - DC2.4W | 41 - 3 |
| AX64 0133 | Fan Motor - 60x15mm | 41 - 17 |
| AX64 0134 | Fan Motor - 60x25mm | 41 - 4 |
| AZ23 0101 | Power Supply Unit - 120V | 43 - 17 |
| AZ32 0117 | Power Pack - BCTCLD C1B | 45 - 21 |
| GA00 0025 | Decal - Warning | 29 - 5 |
| GA00 0025 | Decal - Warning | 67 - 13 |
| GA00 2022 | Decal - Paper Tray Multch | 67 - 14 |
| GA00 3038 | Decal - Inkjet Paper Caution | 67 - 3 |
| GA00 3038 | Decal - Inkjet Paper Caution | 7 - 20 |
| GH01 0005 | Rubber Foot - 23mm | 7 - 19 |

| Part No. | Description | Page and Index No. |
|------------|--------------------------------|--------------------|
| 0313 0100B | Philips Pan Head Screw - M3x10 | 45 -104 |
| 0353 0040B | Screw - M3X4 | 21 -107 |
| 0353 0040B | Screw - M3X4 | 11 -103 |
| 0353 0060M | Tapping Screw M3x6 | 41 -107 |
| 0450 3006B | Tapping Screw - M3x6 | 33 -103 |
| 0450 3008B | Tapping Screw - M3x8 | 19 -101 |
| 0450 3008B | Tapping Screw - M3x8 | 15 -103 |
| 0450 3008B | Tapping Screw - M3x8 | 35 -103 |
| 0450 3008B | Tapping Screw - M3x8 | 21 -101 |
| 0450 3008B | Tapping Screw - M3x8 | 31 -107 |
| 0450 3008B | Tapping Screw - M3x8 | 9 - 104 |
| 0450 3008B | Tapping Screw - M3x8 | 27 -102 |
| 0450 3008B | Tapping Screw - M3x8 | 7 - 103 |
| 0450 3008H | Tapping Screw M3x8 | 13 -101 |
| 0450 3008H | Tapping Screw M3x8 | 15 -104 |
| 0450 3010B | Tapping Screw - M3x10 | 23 -101 |
| 0450 3030B | Tapping Screw - M3x30 | 9 - 102 |
| 0451 3006B | Tapping Screw - M3x6 | 27 -103 |
| 0451 3006B | Tapping Screw - M3x6 | 21 -102 |
| 0451 3006B | Tapping Screw - M3x6 | 19 -102 |
| 0451 3006B | Tapping Screw - M3x6 | 25 -101 |
| 0451 3006B | Tapping Screw - M3x6 | 23 -104 |
| 0451 3006B | Tapping Screw - M3x6 | 29 -103 |
| 0451 3006B | Tapping Screw - M3x6 | 33 -104 |
| 0451 3006B | Tapping Screw - M3x6 | 31 -106 |
| 0451 3006B | Tapping Screw - M3x6 | 33 -102 |
| 0451 3006B | Tapping Screw - M3x6 | 35 -101 |
| 0451 3006B | Tapping Screw - M3x6 | 47 -102 |
| 0451 3006B | Tapping Screw - M3x6 | 37 -101 |
| 0451 3006B | Tapping Screw - M3x6 | 45 -101 |
| 0451 3006B | Tapping Screw - M3x6 | 11 -101 |
| 0451 3006B | Tapping Screw - M3x6 | 43 -102 |
| 0451 3006B | Tapping Screw - M3x6 | 39 -101 |
| 0451 3006B | Tapping Screw - M3x6 | 7 - 104 |
| 0451 3006B | Tapping Screw - M3x6 | 41 -102 |

| Part No. | Description | Page and Index No. |
|------------|-----------------------------------|--------------------|
| 0451 3006H | Tapping Screw - 3x6 | 41 -106 |
| 0451 3008B | Tapping Screw - M3x8 | 15 -102 |
| 0451 3008B | Tapping Screw - M3x8 | 43 -101 |
| 0451 3008B | Tapping Screw - M3x8 | 41 -101 |
| 0451 3008B | Tapping Screw - M3x8 | 27 -101 |
| 0451 3008H | Tapping Screw - M3x8 | 7 - 102 |
| 0451 3008H | Tapping Screw - M3x8 | 13 -102 |
| 0451 3008H | Tapping Screw - M3x8 | 9 - 101 |
| 0451 3008H | Tapping Screw - M3x8 | 15 -106 |
| 0451 3008H | Tapping Screw - M3x8 | 41 -103 |
| 0451 3010B | Tapping Screw - M3x10 | 37 -104 |
| 0451 3010B | Tapping Screw - M3x10 | 35 -102 |
| 0451 3010H | Tapping Screw - 3x10 | 9 - 103 |
| 0451 3012B | Tapping Screw With Washer - M3x12 | 35 -104 |
| 0451 3020B | Tapping Screw - 3x20 | 41 -105 |
| 0451 3035B | Tapping Scre - 3x35 | 41 -104 |
| 0451 4006B | Tapping Screw - 4x6 | 39 -102 |
| 0451 4012B | Tapping Screw - 4x12 | 39 -103 |
| 0452 3006B | Tapping Screw - M3x6 | 21 -103 |
| 0452 3008B | Tapping Screw - M3x8 | 25 -103 |
| 0452 3008B | Tapping Screw - M3x8 | 11 -102 |
| 0452 3008B | Tapping Screw - M3x8 | 7 - 101 |
| 0452 3008B | Tapping Screw - M3x8 | 23 -102 |
| 0452 3010W | Tapping Bind Screw - M3x10 | 23 -103 |
| 0573 0040E | Hexagon Headless Set Screw - M3x4 | 21 -104 |
| 0574 0040 | Hexagon Headless Set Screw - M4x4 | 27 -107 |
| 0574 0040E | Hexagon Headless Set Screw - M4x4 | 35 -107 |
| 0622 0160E | Spring Pin - 2x16mm | 11 -107 |
| 0623 0140E | Spring Pin - 3x14mm | 17 -102 |
| 0720 0025 | Retaining Ring - 2.5 | 25 -104 |
| 0720 0030E | Retaining Ring - M3 | 15 -105 |
| 0720 0030E | Retaining Ring - M3 | 31 -104 |
| 0720 0040B | Retaining Ring - M4 | 29 -101 |
| 0720 0040E | Retaining Ring - M4 | 37 -103 |
| 0720 0040E | Retaining Ring - M4 | 33 -105 |

| Part No. | Description | Page and Index No. |
|------------|----------------------------------|--------------------|
| 0720 0060E | Retaining Ring - M6 | 21 -105 |
| 0725 0100E | Retaining Ring C - M10 | 31 -102 |
| 0740 3008 | Ball Bearing - 8x22x7 | 27 -105 |
| 0740 3708 | Bushing - 8x12x3.5 | 21 -106 |
| 0740 3808 | Ball Bearing - 8x16x5mm | 27 -106 |
| 0802 5276 | Tapping Screw With Washer - M3x6 | 47 -101 |
| 0802 5276 | Tapping Screw With Washer - M3x6 | 33 -101 |
| 0802 5279 | Tapping Screw With Washer - M3x8 | 37 -109 |
| 0802 5279 | Tapping Screw With Washer - M3x8 | 39 -106 |
| 0802 5279 | Tapping Screw With Washer - M3x8 | 31 -103 |
| 0805 0088 | Retaining Ring - M6 | 27 -104 |
| 0805 0088 | Retaining Ring - M6 | 11 -105 |
| 0805 0088 | Retaining Ring - M6 | 17 -101 |
| 0805 0088 | Retaining Ring - M6 | 37 -108 |
| 0805 0088 | Retaining Ring - M6 | 35 -105 |
| 0805 0088 | Retaining Ring - M6 | 39 -104 |
| 0805 0089 | Retaining Ring - M4 | 25 -102 |
| 0805 0089 | Retaining Ring - M4 | 15 -101 |
| 0805 0089 | Retaining Ring - M4 | 37 -102 |
| 0805 0089 | Retaining Ring - M4 | 35 -106 |
| 0805 0089 | Retaining Ring - M4 | 11 -104 |
| 0954 3008B | Philips Screw - M3x8 | 31 -105 |
| 0954 3008B | Philips Screw - M3x8 | 29 -102 |
| 0954 3010B | Philips Screw - M3x10 | 31 -101 |
| 1102 2391 | Connector - HIF3FB-40PA-2.54DSA | 63 -101 |
| 1102 3566 | Connector - S8B-XH-A(8PIN) | 63 -102 |
| 1102 4201 | Connector - 2P | 57 -101 |
| 1102 4203 | CT Header - 4P | 53 -101 |
| 1102 4619 | Connector - 2P | 57 -102 |
| 1102 5301 | Connector - 2P | 57 -103 |
| 1102 5305 | Connector - 6P | 53 -102 |
| 1102 5305 | Connector - 6P | 57 -104 |
| 1102 6295 | Connector - 2P | 57 -105 |
| 1102 6296 | Connector - 3P | 57 -106 |
| 1102 6298 | Connector - 5P | 57 -107 |

| Part No. | Description | Page and Index No. |
|-----------|----------------------------------|--------------------|
| 1102 6300 | Connector - 7P | 57 -108 |
| 1102 6301 | Connector - 8P | 57 -109 |
| 1102 6302 | Connector - 9P | 57 -110 |
| 1102 6303 | Connector - 10P | 57 -111 |
| 1102 6306 | Connector - 13P | 57 -112 |
| 1102 6307 | Connector - 14P | 57 -113 |
| 1102 6308 | Connector - 15P | 57 -114 |
| 1102 6310 | Connector - 3P | 53 -103 |
| 1102 6322 | Connector - 15P | 57 -115 |
| 1102 6328 | Connector - 2P | 57 -116 |
| 1102 6815 | Connector - 53258-0410 | 63 -103 |
| 1102 7389 | Connector - FH12-50S-0.5SV | 53 -104 |
| 1102 7460 | Connector - FH12-50S-0.5SH | 53 -105 |
| 1102 7785 | Connector - 57RE40360830BD29B | 63 -104 |
| 1102 7834 | Connector - B2B | 57 -117 |
| 1102 7836 | Connector - B4B | 53 -106 |
| 1102 8153 | Connector - FCN-568P068-G/05A-V4 | 63 -105 |
| 1102 8357 | Connector - 52777-0809 | 63 -106 |
| 1102 8373 | Connector - RJHS-5381 | 63 -107 |
| 1102 8468 | Connector - 55447-041 | 53 -107 |
| 1102 8469 | Connector - 55447-0510 | 53 -108 |
| 1102 8471 | Connector - 55447-071 | 57 -118 |
| 1102 8472 | Connector - 55447-0810 | 57 -119 |
| 1102 8473 | Connector - 55447-0910 | 53 -109 |
| 1102 8476 | Connector - 55447-1210 | 53 -110 |
| 1102 8480 | Connector - 55447-1610 | 57 -120 |
| 1102 8486 | Connector - 55451-2410 | 53 -111 |
| 1102 8487 | Connector - 55451-2610 | 53 -112 |
| 1102 8488 | Connector - 5451-2810 | 53 -113 |
| 1102 8489 | Connector - 55451-3010 | 53 -114 |
| 1102 8494 | Connector - 55451-4010 | 53 -115 |
| 1102 8584 | Connector - 52777-0409 | 63 -108 |
| 1102 8656 | Connector - TX25-120P-LT-H1 | 63 -109 |
| 1102 8723 | Connector - TX24-120R-6ST-H1 | 53 -116 |
| 1102 8829 | Connector - DM-1D4-N3210 | 63 -110 |

| Part No. | Description | Page and Index No. |
|-----------|-----------------------------------|--------------------|
| 1102 8832 | Connector - DM-3D4-B3210 | 63 -111 |
| 1104 0764 | IC Socket - 8 PIN | 53 -117 |
| 1104 0771 | IC Socket - 28PIN | 63 -112 |
| 1105 0409 | Card Spacer- 6.4mm | 43 -103 |
| 1105 0487 | Harness Clamp | 37 -110 |
| 1105 0488 | Harness Clamp | 37 -106 |
| 1105 0490 | Harness Clamp - IWS-2218 | 37 -105 |
| 1105 0508 | Harness Clamp - LWS-0711 | 45 -103 |
| 1105 0511 | Harness Clamp - LWS-0306ZC | 33 -106 |
| 1105 0511 | Harness Clamp - LWS-0306ZC | 11 -106 |
| 1105 0511 | Harness Clamp - LWS-0306ZC | 45 -102 |
| 1105 0516 | Clamp | 35 -108 |
| 1105 0516 | Clamp | 39 -105 |
| 1105 0522 | Edge Saddle - LES0510 | 47 -103 |
| 1106 0241 | Bushing - 6.7mm | 45 -105 |
| 1106 0383 | Supporter - P.C.B. | 37 -107 |
| 1106 0383 | Supporter - P.C.B. | 35 -109 |
| 1150 0364 | Power Supply Code - 250V 10A 2.5M | 43 -104 |
| 1150 0366 | Power Supply Code - 125V 10A 2.5M | 43 -104 |
| 1204 1422 | Dip Switch - 51D-0401 | 63 -113 |
| 1204 2306 | Dip Switch - CHS-04B | 53 -118 |
| 1204 2553 | Tact Switch - KSRBAAE010 | 53 -119 |
| 1400 0381 | Transistor - 2SA1036KR | 57 -121 |
| 1400 0556 | Transistor - DTB143EK | 53 -120 |
| 1400 0591 | Transistor - DTC113ZK | 63 -114 |
| 1400 0808 | Transistor - 2SC2412S | 53 -121 |
| 1400 0919 | Transistor - DTCL43XUA | 53 -122 |
| 1401 0821 | Diode - 1SS133 | 57 -122 |
| 1401 1136 | FET - HAT1020R | 63 -115 |
| 1402 1336 | Diode - 1SS355 | 53 -123 |
| 1402 1342 | Diode - 1SR154-400 | 63 -116 |
| 1402 1353 | Diode - HZ12BP | 57 -123 |
| 1402 1380 | Diode - PTZ 6.2A | 53 -124 |
| 1402 1445 | Diode - 1SS376 | 63 -117 |
| 1402 1584 | Diode - DAN217U | 53 -125 |

| Part No. | Description | Page and Index No. |
|-----------|-----------------------------------|--------------------|
| 1403 0996 | LED - SML-310VT | 53 -126 |
| 1403 0996 | LED - SML-310VT | 63 -118 |
| 1403 1033 | LED - SML-310YT | 53 -127 |
| 1407 1535 | IC - TD62308AP | 57 -124 |
| 1407 1600 | TTLIC - SN74LS244NS | 53 -128 |
| 1407 2187 | TTLIC - SN74LS07NS | 57 -125 |
| 1407 2187 | TTLIC - SN74LS07NS | 53 -129 |
| 1407 2187 | TTLIC - SN74LS07NS | 63 -119 |
| 1407 2219 | IC - TD62003AP | 57 -126 |
| 1407 4346 | CMOS2 IC - TC7W08F | 63 -120 |
| 1407 4404 | CMOS - 74VHC157 SOP | 53 -130 |
| 1407 4874 | CMOS IC - 74VHC32 TSSOP | 63 -121 |
| 1407 5078 | Flash Memory - MBM29F800BA-70PFTH | 53 -131 |
| 1407 5122 | IC - CMOS LOGIC-TC74ACT374FT | 63 -122 |
| 1407 5275 | CMOS Logic - 74LVCHR16245A TSSOP | 63 -123 |
| 1407 5281 | IC - EEPROM-I2C BUS 1K SOP | 63 -124 |
| 1407 5300 | CMOS Logic - 74LVC16244A TSSOP | 63 -125 |
| 1407 5321 | CMOS Logic - 74LVCH16374A TSSOP | 63 -126 |
| 1407 5322 | IC - CMOS LOGIC SN74LVC161284DGG | 63 -127 |
| 1407 5334 | IC - CMOS LOGIC 74LVC244A TSSOP | 63 -128 |
| 1407 5335 | RAM - STK12C68-P55 | 63 -217 |
| 1407 5342 | Clock Generator - ICS9248AF-128 | 63 -129 |
| 1407 5353 | IC - SN74LV244APW | 53 -132 |
| 1407 5363 | IC - SN74AHCT04PW | 63 -130 |
| 1407 5364 | IC - SN74AHCT244PW | 63 -131 |
| 1407 5366 | IC - 74LVC08A TSSOP | 63 -132 |
| 1407 5388 | IC - SN74LV08ANS | 53 -133 |
| 1407 5412 | IC - RM5261-250Q-REV1.2C | 63 -133 |
| 1407 5414 | IC - SN74LV14ANS | 53 -134 |
| 1407 5415 | IC - SN74LV32ANS | 53 -135 |
| 1407 5454 | IC - SN74LV86APW | 63 -134 |
| 1407 5457 | Clock Generator - W180-51G | 53 -136 |
| 1407 5485 | IC - SN74VC574APW | 63 -135 |
| 1407 5538 | IC - D6432633WG00F | 53 -137 |
| 1407 5674 | IC - LVDS:DP83846AVHG(A4) | 63 -136 |

| Part No. | Description | Page and Index No. |
|-----------|--|--------------------|
| 1408 0810 | IC - BA10358F | 53 -138 |
| 1408 1223 | Ditector - RN5VD42C | 53 -139 |
| 1408 1273 | IC - RN5VD28A | 63 -137 |
| 1408 1295 | IC - UPC2933T | 53 -140 |
| 1408 1388 | Detector - RN5VD28C | 53 -141 |
| 1408 1394 | IC - STK672-110 | 57 -127 |
| 1408 1398 | Detector - RN5VD42A | 63 -138 |
| 1408 1448 | Regulator - PQ3DZ13 | 53 -142 |
| 1408 1454 | Series Regulator - LM1085IS-3.3 | 63 -139 |
| 1408 1565 | IC - RN5VD21A | 63 -140 |
| 1408 1640 | Series Regulator - PQ070XH02Z | 63 -141 |
| 1408 1652 | Comparator - LM339M | 57 -128 |
| 1503 0842 | Oscillator - 14.31818mhz | 63 -142 |
| 1503 0903 | Crystal Oscillator- 12.5mhz | 53 -143 |
| 1503 0914 | Crystal Oscilator - 25mhz | 63 -143 |
| 1503 0946 | Crystal Oscillator - 9.8304mhz | 53 -144 |
| 1503 1021 | Crystal Oscilator - Sg-710eck 25mhz | 63 -144 |
| 1503 1058 | Crystal Oscilator-20mhz7.0pF 50ppm | 53 -145 |
| 1600 1660 | Resistor - ERG2SJ101 | 57 -129 |
| 1601 7752 | Resistor Array - 10K Ω \pm 5% | 53 -146 |
| 1601 7752 | Resistor Array - 10K Ω \pm 5% | 63 -145 |
| 1601 7759 | Resistor Array - 100K Ω \pm 5% 0.06 | 53 -147 |
| 1601 7791 | Resistor Array - 1K Ω \pm 5% | 53 -148 |
| 1601 7867 | Resistor - 33 Ω \pm 5% 1/16W | 63 -146 |
| 1601 7867 | Resistor - 33 Ω \pm 5% 1/16W | 53 -149 |
| 1601 7871 | Resistor - 68 Ω \pm 5% 1/16W | 53 -150 |
| 1601 7871 | Resistor - 68 Ω \pm 5% 1/16W | 63 -147 |
| 1601 7872 | Resistor Array - 220 Ω \pm 5% 1/16W | 63 -148 |
| 1601 7879 | Resistor - 22 Ω \pm 5% 1/16W | 63 -149 |
| 1601 7898 | Resistor Array | 63 -150 |
| 1601 7913 | Resistor - 22 Ω \pm 5% 1/32W | 63 -151 |
| 1601 7914 | Resistor Array - 47 Ω \pm 5% | 63 -152 |
| 1601 7915 | Resistor Array - 33 Ω \pm 5% 1/16W | 63 -153 |
| 1601 7918 | Resistor - 22 Ω \pm 5% 1/16W | 63 -154 |
| 1601 7926 | Resistor - 68 Ω \pm 5% 1/16W 8 | 63 -155 |

| Part No. | Description | Page and Index No. |
|-----------|---|--------------------|
| 1601 7928 | Resistor Array - 4.7K Ω \pm 5% 1/16W | 63 -156 |
| 1601 7929 | Resistor Array - 100K Ω \pm 5% 1/16W | 63 -157 |
| 1601 7933 | Resistor Array - 100 Ω \pm 5% 1/16W | 63 -158 |
| 1601 7943 | Resistor Array - 68 Ω \pm 5% 1/32W | 63 -159 |
| 1601 7954 | Resistor Array - 120 Ω \pm 5% 1/16W | 63 -160 |
| 1604 4335 | Capacitor - 220 μ F \pm 20% 10V | 63 -161 |
| 1604 4428 | Capacitor - 100 μ F 20% 16V | 63 -162 |
| 1604 4675 | CAPACITOR 47 μ F \pm 20% 10V | 53 -151 |
| 1604 4733 | CAPACITOR - 100 μ F \pm 20% 10V | 53 -152 |
| 1604 4824 | Capacitor- 47 μ F \pm 20% 50v | 53 -153 |
| 1605 0832 | Capacitor - 8PF \pm 0.5pF 50V | 63 -163 |
| 1605 1025 | Capacitor - 1000pF \pm 10% 2KV | 63 -164 |
| 1605 1081 | Capacitor - 10 μ F +80-20% 25V | 63 -165 |
| 1605 1124 | Capacitor - 4.7 μ F +80 -20% 10V | 63 -166 |
| 1605 1181 | Capacitor - 10 μ F +80-20% 10V | 63 -167 |
| 1605 1181 | Capacitor - 10 μ F +80-20% 10V | 53 -154 |
| 1607 0815 | IC - BLM41P600SPB | 63 -168 |
| 1607 0987 | Inductor - T1a-6t103 | 63 -169 |
| 1607 1014 | EMI Filter - BLM11P600SPB | 53 -155 |
| 1607 1052 | Filter - Bk1608II241 | 63 -170 |
| 1607 1106 | IC - LC0805L473M | 53 -156 |
| 1607 1206 | Filter - Acc2012I-250 | 63 -171 |
| 1607 1318 | IC - 08051223M | 53 -157 |
| 1607 1369 | Filter - Blm18ba220sn1b | 63 -172 |
| 1610 1506 | Resistor - 1K Ω \pm 0.5% 1/16W | 63 -173 |
| 1630 1470 | Resistor - 47 Ω \pm 5% 1/4W | 53 -158 |
| 1630 2750 | Resistor - 758 Ω 1/8W \pm 5% | 63 -174 |
| 1630 3271 | Resistor - 270 Ω +5% 1/10W | 63 -175 |
| 1630 4100 | Resistor - 10 Ω \pm 5% 1/16W | 53 -159 |
| 1630 4101 | Resistor - 100 Ω \pm 5% 1/16W | 53 -160 |
| 1630 4101 | Resistor - 100 Ω \pm 5% 1/16W | 63 -176 |
| 1630 4102 | Resistor - 1.0K Ω \pm 5% 1/16W | 63 -177 |
| 1630 4102 | Resistor - 1.0K Ω \pm 5% 1/16W | 53 -161 |
| 1630 4103 | Resistor - 10K Ω \pm 5% 1/16W | 63 -178 |
| 1630 4103 | Resistor - 10K Ω \pm 5% 1/16W | 53 -162 |

| Part No. | Description | Page and Index No. |
|-----------|---|--------------------|
| 1630 4103 | Resistor - 10K Ω \pm 5% 1/16W | 57 -130 |
| 1630 4104 | Resistor - 100 Ω \pm 5% 1/16W | 63 -179 |
| 1630 4105 | Resistor - 1.0M Ω \pm 5% 1/16W | 53 -163 |
| 1630 4122 | Resistor - 1.2K Ω 5% 1/16W | 63 -180 |
| 1630 4152 | Resistor - 1.5K Ω \pm 5% 1/16W | 63 -181 |
| 1630 4182 | Resistor - 1.8K Ω \pm 5.00% 1/16W | 53 -164 |
| 1630 4201 | Resistor - 200 Ω \pm 5% 1/16W | 53 -165 |
| 1630 4220 | Resistor - 22 Ω \pm 5% 1/16W | 63 -182 |
| 1630 4222 | Resistor - 2.2K Ω \pm 5% | 63 -183 |
| 1630 4223 | Resistor - 22K Ω \pm 5% 1/16W | 57 -131 |
| 1630 4241 | Resistor - 240 Ω \pm 0.5% 1/16W | 57 -132 |
| 1630 4272 | Resistor - 2.7k Ω - \pm 5% - 1/16W | 57 -133 |
| 1630 4302 | Resistor - 3.0k Ω - \pm 5% - 1/16W | 53 -166 |
| 1630 4330 | Resistor - 33 Ω \pm 5% 1/8W | 53 -167 |
| 1630 4330 | Resistor - 33 Ω \pm 5% 1/8W | 63 -184 |
| 1630 4331 | Resistor - 330 Ω \pm 5% 1/16W | 57 -134 |
| 1630 4333 | Resistor - 33K Ω \pm 5% 1/16W | 57 -135 |
| 1630 4391 | Resistor - 390 Ω \pm 5.00% 1/16W | 53 -168 |
| 1630 4393 | Resistor - 39k Ω - \pm 5% - 1/16W | 53 -169 |
| 1630 4470 | Resistor - 470 Ω \pm 5% 1/16W | 63 -185 |
| 1630 4471 | Resistor - 470 Ω \pm 5% 1/16W | 57 -136 |
| 1630 4472 | Resistor - 4.7K Ω \pm 5% 1/16W | 63 -186 |
| 1630 4472 | Resistor - 4.7K Ω \pm 5% 1/16W | 53 -170 |
| 1630 4472 | Resistor - 4.7K Ω \pm 5% 1/16W | 57 -137 |
| 1630 4510 | Resistor - 51 Ω \pm 5% 1/16W | 53 -171 |
| 1630 4512 | Resistor - 5.1k Ω - \pm 5% - 1/16W | 63 -187 |
| 1630 4514 | Resistor - 510k Ω \pm 5.00% 1/16W | 57 -138 |
| 1630 4519 | Resistor - 5.1 Ω \pm 5% 1/16W | 63 -188 |
| 1630 4561 | Resistor - 560 Ω \pm 5% 1/16W | 63 -189 |
| 1630 4562 | Resistor - 5.6k Ω - \pm 5% - 1/16W | 63 -190 |
| 1630 4680 | Resistor - 68 Ω \pm 5% 1/16W | 53 -172 |
| 1630 4680 | Resistor - 68 Ω \pm 5% 1/16W | 63 -191 |
| 1630 4820 | Resistor - 82 Ω \pm 5% 1/16W | 63 -192 |
| 1630 4823 | Resistor - 82K Ω \pm 5% 1/16W | 53 -173 |
| 1632 0000 | Resistor - 0 Ω 1/8W | 63 -193 |

| Part No. | Description | Page and Index No. |
|-----------|--|--------------------|
| 1632 4999 | Resistor - 49.9 Ω \pm 1% 1/8W | 63 -194 |
| 1632 5499 | Resistor - 54.9 Ω \pm 1% 1/8W | 63 -195 |
| 1634 0000 | Resistor - 0 Ω 1/16W | 63 -196 |
| 1634 0000 | Resistor - 0 Ω 1/16W | 53 -174 |
| 1634 0000 | Resistor - 0 Ω 1/16W | 57 -139 |
| 1634 1001 | Resistor - 1K Ω \pm 5% 1/16W | 53 -175 |
| 1634 1003 | Resistor - 100K Ω \pm 1% 1/16W | 53 -176 |
| 1634 2800 | Resistor - 280 Ω \pm 1% 1/16W | 57 -140 |
| 1634 3901 | Resistor - 3.9K Ω \pm 1% 1/16W | 57 -141 |
| 1634 4702 | Resistor - 47.0k Ω - \pm 1% - 1/16W | 53 -177 |
| 1634 5231 | Resistor - 5.23K Ω \pm 1% 1/16W | 53 -178 |
| 1634 6040 | Resistor - 604 Ω \pm 1% 1/16W | 53 -179 |
| 1634 9311 | Resistor - 9.31K Ω \pm 1% 1/16W | 63 -197 |
| 1640 5101 | Capacitor - 100 μ F \pm 20% 50V | 57 -142 |
| 1642 1101 | Capacitor - 100 μ F \pm 20% 16V | 57 -143 |
| 1643 1470 | Capacitor - 47 μ F \pm 20% 16v | 57 -144 |
| 1644 0100 | Capacitor - 10 μ F \pm 20% 10V | 63 -198 |
| 1644 2330 | Capacitor - 33 μ F \pm 20% 25V | 63 -199 |
| 1650 4121 | RESISTOR - 120 Ω \pm 5%1/10W | 53 -181 |
| 1650 4202 | RESISTOR - 2K Ω \pm 5%1/10W | 63 -200 |
| 1650 4331 | RESISTOR - 330 Ω \pm 5%1/10W | 53 -182 |
| 1650 4910 | RESISTOR - 91 Ω \pm 5%1/10W | 63 -201 |
| 1654 1431 | Resistor - 820 Ω \pm 1% 1/16W | 53 -180 |
| 1660 0100 | Capacitor - 10PF \pm 0.5pF 50V | 53 -183 |
| 1660 0100 | Capacitor - 10PF \pm 0.5pF 50V | 63 -202 |
| 1660 2101 | Capacitor - 100pF - \pm 10% - 50V | 53 -184 |
| 1660 2150 | Capacitor - 15pF \pm 5% 50V | 63 -203 |
| 1660 2220 | Capacitor - 22pF \pm 20% 35V | 53 -185 |
| 1660 2220 | Capacitor - 22pF \pm 20% 35V | 63 -204 |
| 1660 2221 | Capacitor - 220pF +80-20% 50V | 63 -205 |
| 1660 2270 | CAPACITOR - 27pF \pm 20% 35V | 53 -186 |
| 1660 2330 | Capacitor - 33pF - \pm 5% - 50V | 63 -206 |
| 1660 2331 | Capacitor - 330pF \pm 5% 50V | 63 -207 |
| 1660 2471 | Capacitor - 470pF - \pm 5% - 50V | 53 -187 |
| 1660 2471 | Capacitor - 470pF - \pm 5% - 50V | 57 -145 |

| Part No. | Description | Page and Index No. |
|-----------|---------------------------------------|--------------------|
| 1660 2471 | Capacitor - 470pF - $\pm 5\%$ - 50V | 63 -208 |
| 1660 2680 | Capacitor - 68pF $\pm 5\%$ 50V | 63 -209 |
| 1660 4102 | Capacitor - 1000pF $\pm 10\%$ 50V | 53 -188 |
| 1660 4102 | Capacitor - 1000pF $\pm 10\%$ 50V | 57 -146 |
| 1660 4102 | Capacitor - 1000pF $\pm 10\%$ 50V | 63 -210 |
| 1660 4222 | Capacitor - 2200pF - $\pm 10\%$ - 50V | 63 -211 |
| 1660 6103 | Capacitor - 10000pF - +80%-20%50V | 53 -189 |
| 1660 6103 | Capacitor - 10000pF - +80%-20%50V | 63 -212 |
| 1660 6103 | Capacitor - 10000pF - +80%-20%50V | 57 -147 |
| 1660 6473 | Capacitor - 47000pF +80,-20% 50V | 63 -213 |
| 1660 6473 | Capacitor - 47000pF +80,-20% 50V | 53 -190 |
| 1660 8104 | Capacitor - 0.1 μ F +80-20% 25V | 57 -148 |
| 1660 8104 | Capacitor - 0.1 μ F +80-20% 25V | 63 -214 |
| 1660 8104 | Capacitor - 0.1 μ F +80-20% 25V | 53 -191 |
| 1902 0042 | RAM - 1M X8 70ns TSOP G2 | 53 -192 |
| 1906 0017 | Flash Memory - LH28F320BJ-PBTL70 | 63 -215 |
| 1906 0021 | IC - DRAM MBM29LV160BE70TN | 63 -216 |

| Part No. | Description | Page and Index No. |
|-----------|---------------------|--------------------|
| 5206 2684 | Shoulder Screw - M3 | 29 - 20 |
| 5206 2684 | Shoulder Screw - M3 | 31 - 17 |
| 5215 2621 | Snap Ring - M6 | 17 - 19 |
| 5215 2713 | Bottom Plate Pad | 17 - 4 |
| 5442 2108 | Corona Wire Spring | 7 - 11 |
| 5442 2108 | Corona Wire Spring | 25 - 11 |
| 5447 2681 | Snap Ring | 15 - 1 |